

**EXPLANATION OF ABBREVIATIONS IN CATALOGUE**

**VERDUIDELIKING VAN AFKORTINGS IN KATALOGUS**

	DIRECT CALF TRAITS	DIREKTE KALF EIENSKAPPE	Kalf eienskappe
Calf traits	DIRECT CALF TRAITS	DIREKTE KALF EIENSKAPPE	Kalf eienskappe
Daughter traits	DAUGHTER TRAITS	DOGTER EIENSKAPPE	Dogter eienskappe
Growth traits	GROWTH	GROEI	Groei eienskappe
Efficiency traits	EFF	DOEL	Doeltreffendheids eienskappe
Reproduction traits	REPRODUCTION	REPRODUKSIE	Reproduksie eienskappe
Body measurements	MEASURE	MATES	Liggaamsmates
Lot number	Lot	Lot	Lotnommer
Ratio	R:	V:	Verhouding
Identification number	ID	ID	Identifikasienommer
Generation/Section of Herdbook	Gen	Gen	Generasie/Afdeling van kuddeboek
Weight in kilogram	Wgt kg	Gew kg	Gewig in kilogram
Index	Ind	Ind	Indeks
Accuracy of breeding value	Acc	Akk	Akkuraatheid van teelwaarde
Birth direct (kg)	Birth Dir	Geb Dir	Geboorte direk (kg)
Birth maternal (kg)	Birth Mat	Geb Mat	Geboorte maternaal (kg)
Wean direct (kg)	Wean Dir	Speen Dir	Speen direk (kg)
Wean maternal (kg)	Wean Mat	Speen Mat	Speen maternaal (kg)
Mature weight (kg)	Mature Wgt	Volw Gew	Volwasse gewig (kg)
365 Days (kg)	365d	365d	365 Dae (kg)
540 Days (kg)	540d	540d	540 Dae (kg)
Average daily gain (g/day)	ADG	GDT	Gemiddelde daaglikse toename (g/dag)
Feed conversion ratio	FCR	VOV	Voeromsetverhouding
Scrotal circumference (mm)	SC	SO	Skrotum omvang (mm)
Age First Calving	AFC	OEK	Ouderdom Eerste Kalwing
Inter Calving Period	ICP	TKP	Tussen Kalf Periode
Height (mm)	Hgt	Hgt	Hoogte (mm)
Length (mm)	Lgt	Lgt	Lengte (mm)
Length : Height ratio	LHR	HLV	Lengte : Hoogte verhouding
Birth weight : Cow weight ratio	BWR	GGV	Geboortegewig : Koeigewig verhouding
Wean weight : Cow weight ratio	WWR	SGV	Speengewig : Koeigewig verhouding
Age in years and months / Number of calvings	Age / Calv	Oud / Kalw	Ouderdom in jare en maande / Aantal kalwings
Average Wean index / Number of calves	Ave WI / Calf	Gem SI / Kalf	Gemiddelde Speenindeks / Aantal kalwers
Reproduction index	R.I.	R.I.	Reproduksie Indeks
Polled	Polled	Poena	Poena
Post Wean 365 days & Post Wean 540 days	PW365 & PW540	NS365 & NS540	Naspeen 365 dae & Naspeen 540 dae
Growth test & Growth test group	GT & GTg	GT & GTg	Groei Toets & Groeitoets groep
Central test	CT	ST	Sentrale toets
Parentage Verification	OV	PV	Ouerskap Verifikasie
Genomically Tested	GT	GT	Genomies Getoets
Homozygous Polled (Celtic Test)	PP(c)	PP(c)	Homosigoties Poena (Celtic Toets)
Heterozygous Polled (Celtic Test)	Pp(c)	Pp(c)	Heterosigoties Poena (Celtic Toets)
Sire Verified	SV	SV	Vaar Geverifieer
Dam Verified	DV	DV	Moeder Geverifieer

Lot	Seller	ID POLLED Gen	PARENTS		Test Genomic Tested DNA Birth Date	Breeding Value Indexes										LHR BWR WWR	Semen Users	Breeder Own Remarks			
			SIRE GV PV	DAM GV PV		DIRECT CALF TRAITS		DAUGHTER TRAITS			GROWTH		EFF.	REP	MEASUREMENTS				R:		
			Birth Dir Acc	Wean Dir Acc		Birth Mat Acc	Wean Mat Acc	Mat Wgt Acc	Post Wean Acc	ADG Acc	FCR Acc	SC Acc	Hgt Acc	Lgt Acc	Progeny Birth Weight				Progeny Wean Weight	Ease of Calving	Milk prod.
						Wgt kg	Wgt kg	Ind	kg	kg	kg	365d Ind	540d Ind	Ind	Ind	(mm)	(mm)	(mm)			

## BULLS


1	P.E. ROUX	PER 180047 SP	PER 130013 ✓ PER 100065	GTg	<b>114</b>	<b>95</b>	<b>122</b>	<b>89</b>	<b>97</b>	<b>94</b>	<b>102</b>	<b>101</b>	<b>81</b>	<b>88</b>	<b>98</b>	1.24	
				DNA	-0.50 79	10.8 75	-1.18 57	0.8 60	6.0 53	17.5 64	108 69	-56 48	-5.5 76	-9 77	11 75	6.08	
				30.03.18	37	213	<b>95</b>			-	<b>94</b>	-	339	1139	1417	38.9	
2	ALLEM BROTHERS (PTY) LTD	CRV 180036 SP	HP 120237 ✓ CRV 110434	GTg	<b>107</b>	<b>102</b>	<b>115</b>	<b>107</b>	<b>95</b>	<b>99</b>	<b>96</b>	<b>93</b>	<b>98</b>	<b>87</b>	<b>97</b>	1.2	
				DNA	0.32 79	14.5 75	-0.87 58	5.9 60	4.0 50	20.7 64	78 69	-35 33	8.2 76	-10 77	9 75	-	
				27.03.18	34	190	<b>96</b>			-	<b>103</b>	-	358	1183	1421	41.3	
3	GOSSAYN BROTHERS	GJG 180064 SP	FCT 090242 ✓ GJG 110148	GTg	<b>84</b>	<b>112</b>	<b>104</b>	<b>100</b>	<b>110</b>	<b>114</b>	<b>114</b>	<b>110</b>	<b>116</b>	<b>103</b>	<b>103</b>	1.16	
				DNA	2.71 77	18.8 73	-0.36 59	3.8 61	21.0 55	31.6 64	164 69	-80 50	22.9 76	4 77	18 75	-	
				16.05.18	40	255	<b>109</b>			-	<b>103</b>	-	353	1220	1413	44.9	
4	P.E. ROUX	PER 180097 SP	PER 130013 ✓ PER 130153	GTg	<b>104</b>	<b>102</b>	<b>92</b>	<b>100</b>	<b>103</b>	<b>109</b>	<b>130</b>	<b>110</b>	<b>103</b>	<b>119</b>	<b>117</b>	1.19	
				DNA	0.64 78	14.4 75	0.18 56	3.9 60	13.0 53	28.4 64	239 68	-80 45	12.3 76	17 77	38 74	5.93	
				07.05.18	38	227	<b>102</b>			-	<b>117</b>	-	368	1183	1411	38.2	
5	ALLEM BROTHERS (PTY) LTD	ABB 180063 SP	ABB 110437 ✓ ABB 120243	GT	<b>95</b>	<b>100</b>	<b>99</b>	<b>107</b>	<b>101</b>	<b>91</b>	<b>85</b>	<b>86</b>	<b>85</b>	<b>96</b>	<b>99</b>	1.18	
				DNA	1.60 77	13.3 73	-0.15 56	5.7 60	11.0 49	15.5 62	27 68	-17 37	-2.0 75	-2 77	13 74	6.54	
				07.05.18	44	211	<b>102</b>			-	<b>98</b>	-	328	1189	1398	37.7	
6	GOSSAYN BROTHERS	GJG 180109 SP	HTC 140033 ✓ GJG 140090	GTg	<b>87</b>	<b>116</b>	<b>79</b>	<b>102</b>	<b>113</b>	<b>115</b>	<b>123</b>	<b>113</b>	<b>109</b>	<b>119</b>	<b>110</b>	1.16	
				DNA	2.35 75	20.8 70	0.77 45	4.4 49	24.0 41	32.6 59	205 65	-87 31	16.9 74	17 76	29 72	-	
				29.06.18	40	266	<b>103</b>			-	<b>112</b>	-	349	1207	1400	43.6	

1.03	13.4	-0.19	3.9	10	21.8	97	-54	9.8	1	14
------	------	-------	-----	----	------	----	-----	-----	---	----

**Lot 1**

**PER 180047**  
SPN Mat. 89

**PER 130013**  
SPN Mat. 104



**PER 100065**  
AFC 31 SPN Mat. 75  
ICP 370 Age/Calv. 8/6  
RI 112 Avg. WI/Calf 93/6

**JJ 080033**  
SPN Mat. 117  
Bronze

**PER 060092**  
AFC 36 SPN Mat. 108  
ICP 430 Age/Calv. 8/5  
Avg. WI/Calf 102/6

**JMP 050276**  
SPN Mat. 83  
Gold

**PER 040041**  
AFC 33 SPN Mat. 90  
ICP 382 Age/Calv. 14/12  
Avg. WI/Calf 97/13

**JJ 050056**  
SPN Mat. 132

**JJ 000074**  
SPN Mat. 112

**PER 000077**  
SPN Mat. 98

**PER 020041**  
SPN Mat. 100

**MNE 010013**  
SPN Mat. 75

**JMP 960137**  
SPN Mat. 115


**VV 010061**  
SPN Mat. 90

**PER 000115**  
SPN Mat. 107

**Lot 2**

**CRV 180036**  
SPN Mat. 107

**HP 120237**  
SPN Mat. 121



**CRV 110434**  
AFC 28 SPN Mat. 93  
ICP 474 Age/Calv. 9/6  
RI 99 Avg. WI/Calf 97/5

**LAR 060224**  
SPN Mat. 122

**Elite-Gold**

**HP 050120**  
AFC 35 SPN Mat. 123  
ICP 427 Age/Calv. 15/11  
Avg. WI/Calf 105/10

**WBB 060002**  
SPN Mat. 102  
Gold

**Elite-Silver**

**FHK 020109**  
AFC 35 SPN Mat. 95  
ICP 370 Age/Calv. 11/9  
Avg. WI/Calf 102/8

**LAR 010297**  
SPN Mat. 72

**LAR 020180**  
SPN Mat. 144

**RCO 970143**  
SPN Mat. 99

**HP 000059**  
SPN Mat. 136

**LAR 010176**  
SPN Mat. 80

**AG 020103**  
SPN Mat. 108


**V 930035**  
SPN Mat. 108

**FHK 940205**  
SPN Mat. 105

**Lot 3**

**GJG 180064**  
SPN Mat. 100

**FCT 090242**  
SPN Mat. 78



**GJG 110148**  
AFC 31 SPN Mat. 122  
ICP 497 Age/Calv. 7/4  
RI 95 Avg. WI/Calf 100/4

**FCT 050127**  
SPN Mat. 79

**FCT 040061**  
AFC 28 SPN Mat. 93  
ICP 378 Age/Calv. 8/6  
Avg. WI/Calf 102/6

**JPL 040065**  
SPN Mat. 120

**JMP 020306**  
AFC 35 SPN Mat. 105  
ICP 367 Age/Calv. 10/8  
Avg. WI/Calf 97/7

**CSW 010022**  
SPN Mat. 72

**FCT 010064**  
SPN Mat. 90

**WAT 010034**  
SPN Mat. 106

**FCT 980121**  
SPN Mat. 90

**VOG 010001**  
SPN Mat. 114

**VOG 020001**  
SPN Mat. 98


**RGR 980199**  
SPN Mat. 66

**LTS 900028**  
SPN Mat. 152

**Lot 4**

**PER 180097**  
SPN Mat. 100

**PER 130013**  
SPN Mat. 104



**PER 130153**  
AFC 30 SPN Mat. 95  
ICP 372 Age/Calv. 7/5  
RI 113 Avg. WI/Calf 100/5

**JJ 080033**  
SPN Mat. 117  
Bronze

**PER 060092**  
AFC 36 SPN Mat. 108  
ICP 430 Age/Calv. 8/5  
Avg. WI/Calf 102/6

**PER 090119**  
SPN Mat. 93  
Silver

**Elite-Gold**

**PER 070040**  
AFC 35 SPN Mat. 108  
ICP 391 Age/Calv. 11/9  
Avg. WI/Calf 106/10

**JJ 050056**  
SPN Mat. 132

**JJ 000074**  
SPN Mat. 112

**PER 000077**  
SPN Mat. 98

**PER 020041**  
SPN Mat. 100

**JMP 050276**  
SPN Mat. 83

**PER 990034**  
SPN Mat. 99


**GJN 030098**  
SPN Mat. 62

**PER 030071**  
SPN Mat. 118

**Lot 5**

**ABB 180063**  
SPN Mat. 107

**ABB 110437**  
SPN Mat. 112



**ABB 120243**  
AFC 36 SPN Mat. 99  
ICP 467 Age/Calv. 8/5  
RI 92 Avg. WI/Calf 100/5

**LAR 070037**  
SPN Mat. 103

**Elite-Silver**

**LAR 080284**  
AFC 36 SPN Mat. 113  
ICP 422 Age/Calv. 11/8  
Avg. WI/Calf 106/7

**GJN 060198**  
SPN Mat. 85  
Gold

**ABB 040290**  
AFC \* SPN Mat. 121  
ICP 399 Age/Calv. \*11  
Avg. WI/Calf 102/10

**BG 040088**  
SPN Mat. 114

**LAR 040240**  
SPN Mat. 100

**LAR 050156**  
SPN Mat. 92

**LAR 040091**  
SPN Mat. 81


**GJN 000060**  
SPN Mat. 74

**DKN 010124**  
SPN Mat. 97

**Lot 6**

**GJG 180109**  
SPN Mat. 102

**HTC 140033**  
SPN Mat. 111



**GJG 140090**  
AFC 35 SPN Mat. 90  
ICP 423 Age/Calv. 4/2  
RI 97 Avg. WI/Calf 99/2

**AG 050263**  
SPN Mat. 113

**HTC 090054**  
AFC 30 SPN Mat. 119  
ICP 453 Age/Calv. 5/3  
Avg. WI/Calf 96/3

**NFS 070070**  
SPN Mat. 89  
Silver

**VBB 080182**  
AFC 26 SPN Mat. 101  
ICP 448 Age/Calv. 7/5  
Avg. WI/Calf 98/5

**AG 030256**  
SPN Mat. 84

**AG 950255**  
SPN Mat. 127

**FHK 050129**  
SPN Mat. 122

**HTC E 0024**  
SPN Mat. 108

**RGR 030116**  
SPN Mat. 82

**NFS 040285**  
SPN Mat. 128

**AG 030178**  
SPN Mat. 87

**EI 020141**  
SPN Mat. 133


Lot	Verkoper	ID POENA Gen	OUERS	Toets	Teelwaarde indekse											LHV	GGV	SGV	Semen Gebruikers	Gebruiker Eie Opmerkings
					DIREKTE KALF EIENSKAPPE		DOGTER EIENSKAPPE			GROEI		DOEL	REP	MATES						
						Nageslag Geboortegewig	Nageslag Speengewig	Gemak van Kalwing	Melk prod.	Volwas-se Gewig	Naspeen-gewig	Daaglikse Toename	Voer-omset		Hoogte & Lengte					
				VADER GV OV	Genomies Getoets	Geb Dir	Speen Dir	Geb Mat	Speen Mat	Volw Gew	Naspeen	GDT	VOV	SO	Hgt	Lgt				
				MOEDER GV OV	DNS	Akk	Akk	Akk	Akk	Akk	Akk	Akk	Akk	Akk	Akk	Akk	Akk			
					Geb. dat.	Gew kg	Gew kg	Ind	kg	kg	kg	365d Ind	540d Ind	Ind	Ind	(mm)	(mm)	(mm)		

## BULLE

7	P.E. ROUX	PER 180085	PER 130013 ☑	GTg	<b>84</b>	<b>116</b>	<b>109</b>	<b>96</b>	<b>106</b>	<b>116</b>	<b>120</b>	<b>109</b>	<b>86</b>	<b>113</b>	<b>114</b>	1.2		
				DNS	2.76 78	21.0 75	-0.61 56	2.9 60	17.0 53	33.4 64	192 69	-78 45	-1.9 76	12 77	33 75	7.19		
				25.04.18	45	231	<b>100</b>						<b>108</b>		328	1201	1441	38.8
8	P.E. ROUX	PER 180012	PER 130013 ☑	GTg	<b>101</b>	<b>109</b>	<b>109</b>	<b>89</b>	<b>104</b>	<b>112</b>	<b>126</b>	<b>113</b>	<b>90</b>	<b>92</b>	<b>102</b>	1.22		
				DNS	0.96 79	17.7 75	-0.60 56	1.0 60	15.0 53	30.3 64	221 69	-87 46	1.6 76	-5 77	17 74	6.48		
				18.03.18	38	220	<b>98</b>						<b>120</b>		351	1154	1410	32.4
9	ALLEM BROTHERS (PTY) LTD	ABB 180009	ABB 130201 ☑	GT	<b>112</b>	<b>97</b>	<b>88</b>	<b>87</b>	<b>120</b>	<b>107</b>	<b>120</b>	<b>105</b>	<b>93</b>	<b>88</b>	<b>102</b>	1.2		
				DNS	-0.25 76	12.0 72	0.37 50	0.3 55	32.0 42	26.9 62	191 67	-66 30	4.5 75	-9 76	17 73	5.41		
				16.04.18	34	186	<b>96</b>						<b>109</b>		334	1129	1357	35
10	ALLEM BROTHERS (PTY) LTD	ABB 180248	ABB 120040 P ☑	GT	<b>99</b>	<b>102</b>	<b>91</b>	<b>109</b>	<b>109</b>	<b>101</b>	<b>99</b>	<b>98</b>	<b>103</b>	<b>116</b>	<b>110</b>	1.2		
				DNS	1.11 77	14.3 73	0.23 54	6.5 58	20.0 46	22.3 62	94 68	-50 32	11.9 76	14 77	28 74	6.23		
				07.05.18	40	215	<b>106</b>						<b>105</b>		344	1189	1428	44
11	GOSSAYN BROTHERS	GJG 180006	GJG 120116 ☑	GTg	<b>92</b>	<b>122</b>	<b>99</b>	<b>102</b>	<b>118</b>	<b>127</b>	<b>122</b>	<b>108</b>	<b>144</b>	<b>100</b>	<b>106</b>	1.22		
				DNS	1.91 77	23.5 72	-0.16 53	4.5 56	30.0 45	40.9 62	200 68	-75 26	45.1 75	1 77	22 74	-		
				19.04.18	37	244	<b>105</b>						<b>98</b>		418	1163	1414	42
12	GOSSAYN BROTHERS	GJG 180078	GJG 140010 ☑	GTg	<b>91</b>	<b>104</b>	<b>101</b>	<b>111</b>	<b>104</b>	<b>105</b>	<b>94</b>	<b>99</b>	<b>84</b>	<b>94</b>	<b>98</b>	1.18		
				DNS	2.03 76	15.0 71	-0.25 46	7.1 51	14.0 43	25.3 58	69 67	-51 28	-3.6 75	-4 76	11 73	-		
				25.05.18	35	228	<b>94</b>						<b>92</b>		327	1121	1321	42.4

### Lot 7

**PER 180085**  
SPN Mat. 96



**PER 130013**  
SPN Mat. 104

**PER 120129**  
OEK 25 SPN Mat. 83  
TKP 406 Oud/Kalw. 8/6  
RI 113 Gem. SI/Kalf 102/6

**JJ 080033**  
SPN Mat. 117  
Brons

**PER 060092**  
OEK 36 SPN Mat. 108  
TKP 430 Oud/Kalw. 8/5  
Gem. SI/Kalf 102/6

**ABB 090196**  
SPN Mat. 62

**PER 070040**  
Elite-Goud  
OEK 35 SPN Mat. 108  
TKP 391 Oud/Kalw. 11/9  
Gem. SI/Kalf 106/10

**JJ 050056**  
SPN Mat. 132

**JJ 000074**  
SPN Mat. 112

**PER 000077**  
SPN Mat. 98

**PER 020041**  
SPN Mat. 100

**FCT 040185**  
SPN Mat. 89


**HFN 000011**  
SPN Mat. 75

**GJN 030098**  
SPN Mat. 62

**PER 030071**  
SPN Mat. 118

### Lot 8

**PER 180012**  
SPN Mat. 89



**PER 130013**  
SPN Mat. 104

**PER 120107**  
OEK 30 SPN Mat. 72  
TKP 363 Oud/Kalw. 7/6  
RI 114 Gem. SI/Kalf 93/6

**JJ 080033**  
SPN Mat. 117  
Brons

**PER 060092**  
OEK 36 SPN Mat. 108  
TKP 430 Oud/Kalw. 8/5  
Gem. SI/Kalf 102/6

**HP 990021**  
SPN Mat. 81

**PER 070102**  
OEK 32 SPN Mat. 85  
TKP 390 Oud/Kalw. 10/8  
Gem. SI/Kalf 99/7

**JJ 050056**  
SPN Mat. 132

**JJ 000074**  
SPN Mat. 112

**PER 000077**  
SPN Mat. 98

**PER 020041**  
SPN Mat. 100

**AG 930210**  
SPN Mat. 103


**GF N 0100**  
SPN Mat. 70

**GJN 030098**  
SPN Mat. 62

**PER 000036**  
SPN Mat. 124

### Lot 9

**ABB 180009**  
SPN Mat. 87



**ABB 130201**  
SPN Mat. 66

**ABB 140165**  
OEK 33 SPN Mat. 103  
TKP 397 Oud/Kalw. 6/4  
RI 104 Gem. SI/Kalf 98/4

**ABB 100076**  
SPN Mat. 73

**AG 070075**  
OEK 30 SPN Mat. 71  
TKP 411 Oud/Kalw. 8/6  
Gem. SI/Kalf 97/6

**JFE 100038**  
SPN Mat. 92

**ABB 090208**  
OEK 32 SPN Mat. 134  
TKP 359 Oud/Kalw. 9/7  
Gem. SI/Kalf 109/5

**WAT 050078**  
SPN Mat. 90

**HJB 020112**  
SPN Mat. 101

**AG 040405**  
SPN Mat. 82

**AG 030149**  
SPN Mat. 88

**CEF 050392**  
SPN Mat. 73


**FAN 050048**  
SPN Mat. 134

**HJB 040081**  
SPN Mat. 121

**ABB 050289**  
SPN Mat. 107

### Lot 10

**ABB 180248**  
SPN Mat. 109



**ABB 120040 P**  
SPN Mat. 106

**ABB 110464**  
Elite-Silwer  
OEK 31 SPN Mat. 115  
TKP 364 Oud/Kalw. 9/7  
RI 114 Gem. SI/Kalf 103/7

**WAT 050078**  
SPN Mat. 90

**ABB 090105**  
OEK 36 SPN Mat. 127  
TKP 365 Oud/Kalw. 6/4  
Gem. SI/Kalf 100/4

**HCO 080211**  
SPN Mat. 96

**ABB 060394**  
OEK \* SPN Mat. 114  
TKP 433 Oud/Kalw. \*/6  
Gem. SI/Kalf 103/6

**WAT 000200**  
SPN Mat. 113

**WAT 020330**  
SPN Mat. 105

**HTC 030050**  
SPN Mat. 135

**ABB 990114**  
SPN Mat. 98


**PER 040055**  
SPN Mat. 100

**NFS 040122**  
SPN Mat. 100

**ABB 990243**  
SPN Mat. 104

### Lot 11

**GJG 180006**  
SPN Mat. 102



**GJG 120116**  
SPN Mat. 86

**GJG 130050**  
OEK 30 SPN Mat. 122  
TKP 413 Oud/Kalw. 7/5  
RI 106 Gem. SI/Kalf 107/4

**FCT 090242**  
SPN Mat. 78

**GJG 090080**  
OEK 29 SPN Mat. 103  
TKP 400 Oud/Kalw. 8/6  
Gem. SI/Kalf 99/5

**BPJ 090069**  
SPN Mat. 113

**GJG 100130**  
Elite-Goud  
OEK 31 SPN Mat. 126  
TKP 361 Oud/Kalw. 10/8  
Gem. SI/Kalf 102/8

**FCT 050127**  
SPN Mat. 79

**FCT 040061**  
SPN Mat. 93

**HJS 040331**  
SPN Mat. 118

**HJB 000296**  
SPN Mat. 79

**BHE 030083**  
SPN Mat. 86


**HJB 040171**  
SPN Mat. 113

**AEJ 050183**  
SPN Mat. 114

**GJG 030095**  
SPN Mat. 112

### Lot 12

**GJG 180078**  
SPN Mat. 111



**GJG 140010**  
SPN Mat. 124

**GJG 150132**  
OEK 31 SPN Mat. 98  
TKP 359 Oud/Kalw. 5/3  
RI 111 Gem. SI/Kalf 100/3

**BPJ 090069**  
SPN Mat. 113

**GJG 110133**  
OEK 31 SPN Mat. 119  
TKP 393 Oud/Kalw. 9/7  
Gem. SI/Kalf 101/5

**NFS 100018**  
SPN Mat. 120  
Brons

**NFS 110077**  
OEK 29 SPN Mat. 91  
TKP 366 Oud/Kalw. 9/8  
Gem. SI/Kalf 101/7

**BHE 030083**  
SPN Mat. 86

**HJB 040171**  
SPN Mat. 113

**HDE 070095**  
SPN Mat. 68

**GJG 090036**  
SPN Mat. 135

**NFS 060067**  
SPN Mat. 89

**NFS 040340**  
SPN Mat. 121

**NFS 080168**  
SPN Mat. 80

**NFS 080125**  
SPN Mat. 102

Lot	Seller	ID POLLED Gen	PARENTS		Test Genomic Tested DNA Birth Date	Breeding Value Indexes					MEASUREMENTS					R:	Semen Users	Breeder Own Remarks			
			SIRE GV PV	DAM GV PV		DIRECT CALF TRAITS		DAUGHTER TRAITS			GROWTH		EFF.	REP	MEASUREMENTS						
			Birth Dir Acc	Wean Dir Acc		Birth Mat Acc	Wean Mat Acc	Mat Wgt Acc	Post Wean Acc	ADG Acc	FCR Acc	SC Acc	Hgt Acc	Lgt Acc	LHR				BWR	WWR	
						Progeny Birth Weight	Progeny Wean Weight	Ease of Calving	Milk prod.	Mature Weight	Post Wean Weight	Daily Gain	Feed Conv		Height & Length						
						Wgt kg	Wgt kg	Ind	kg	kg	kg	365d Ind	540d Ind	Ind	Ind	(mm)	(mm)	(mm)			

## BULLS


13	P.E. ROUX	PER 180054 SP	PER 140043 P ✓ PER 100099	GTg	<b>128</b>	<b>91</b>	<b>118</b>	<b>91</b>	<b>105</b>	<b>90</b>	<b>106</b>	<b>104</b>	<b>84</b>	<b>92</b>	<b>97</b>	1.22		
				DNA	-1.88 79	9.0 75	-1.00 53	1.4 57	15.0 49	14.9 64	127 70	-63 50	-2.8 77	-5 78	10 75	5.28		
				04.04.18	29	209	<b>97</b>				-		<b>107</b>	-	323	1118	1363	37.9
14	P.E. ROUX	PER 180045 SP	PER 140043 P ✓ PER 120012	GTg	<b>108</b>	<b>104</b>	<b>113</b>	<b>95</b>	<b>107</b>	<b>102</b>	<b>110</b>	<b>106</b>	<b>93</b>	<b>104</b>	<b>111</b>	1.26		
				DNA	0.15 79	15.0 74	-0.78 52	2.7 55	17.0 47	23.2 62	145 69	-70 45	3.8 76	4 77	29 74	6.2		
				30.03.18	36	226	<b>102</b>				-		<b>101</b>	-	326	1169	1477	42.6
15	ALLEM BROTHERS (PTY) LTD	ABB 180256 SP	ABB 120040 P ✓ HOT 100176	GT	<b>101</b>	<b>92</b>	<b>83</b>	<b>117</b>	<b>104</b>	<b>99</b>	<b>105</b>	<b>93</b>	<b>112</b>	<b>122</b>	<b>112</b>	1.18		
				DNA	0.92 79	9.7 74	0.56 55	8.6 58	15.0 46	20.9 62	122 68	-34 39	19.5 76	20 77	31 74	7.07		
				11.05.18	43	198	<b>93</b>				-		<b>119</b>	-	365	1194	1413	40.9
16	ALLEM BROTHERS (PTY) LTD	ABB 180202 SP	ABB 150354 P ✓ ABB 110358	GTg	<b>94</b>	<b>117</b>	<b>88</b>	<b>112</b>	<b>109</b>	<b>123</b>	<b>121</b>	<b>104</b>	<b>117</b>	<b>109</b>	<b>114</b>	1.21		
				DNA	1.69 77	21.2 72	0.36 48	7.2 55	19.0 38	38.6 62	197 67	-65 20	23.9 75	9 76	34 73	6.61		
				21.04.18	39	235	<b>96</b>				-		<b>96</b>	-	358	1204	1455	48.3
17	GOSSAYN BROTHERS	GJG 180040 SP	GJG 120116 P ✓ GJG 150180	GTg	<b>111</b>	<b>103</b>	<b>101</b>	<b>101</b>	<b>94</b>	<b>103</b>	<b>96</b>	<b>101</b>	<b>90</b>	<b>103</b>	<b>103</b>	1.22		
				DNA	-0.15 76	14.5 71	-0.23 46	4.3 51	3.0 40	23.6 58	79 66	-55 26	1.7 74	4 76	18 73	-		
				03.05.18	25	256	<b>106</b>				-		<b>90</b>	-	341	1175	1436	50.5
18	GOSSAYN BROTHERS	GJG 180066 SP	GJG 140010 P ✓ GJG 150040	GTg	<b>80</b>	<b>109</b>	<b>91</b>	<b>124</b>	<b>107</b>	<b>113</b>	<b>114</b>	<b>105</b>	<b>100</b>	<b>128</b>	<b>118</b>	1.19		
				DNA	3.13 76	17.4 71	0.21 45	10.5 50	17.0 42	31.3 58	165 66	-68 27	9.4 74	24 76	40 73	-		
				16.05.18	41	252	<b>97</b>				-		<b>105</b>	-	346	1250	1483	41.2



**Lot 13**

**PER 180054**  
SPN Mat. 91

**PER 140043**  
SPN Mat. 99



**PER 100099**

AFC 30 SPN Mat. 84  
 ICP 388 Age/Calv. 10/8  
 RI 110 Avg. WI/Calf 98/7

AFC 37 SPN Mat. 135  
 ICP 410 Age/Calv. 6/4  
 Avg. WI/Calf 108/4

**ABB 090196**  
SPN Mat. 62

**PER 090134**

**JMP 050276**  
SPN Mat. 83  
Gold

**PER 000085**


AFC 34 SPN Mat. 102  
 ICP 396 Age/Calv. 13/10  
 Avg. WI/Calf 106/10

SPN Mat. 89  
**FCT 040185**  
 HFN 000011  
 SPN Mat. 75  
**PER 060084**  
 SPN Mat. 104  
**SER 030039**  
 SPN Mat. 133  
**MNE 010013**  
 SPN Mat. 75  
**JMP 960137**  
 SPN Mat. 115  
**AG J 0008**  
 SPN Mat. 88  
**AG 910245**  
 SPN Mat. 88

**Lot 14**

**PER 180045**  
SPN Mat. 95

**PER 140043**  
SPN Mat. 99



**PER 120012**

AFC 25 SPN Mat. 92  
 ICP 367 Age/Calv. 7/6  
 RI 118 Avg. WI/Calf 95/4

AFC 37 SPN Mat. 135  
 ICP 410 Age/Calv. 6/4  
 Avg. WI/Calf 108/4

**ABB 090196**  
SPN Mat. 62

**PER 090134**

**VV 040046**  
SPN Mat. 114

**PER 090015**


AFC 36 SPN Mat. 109  
 ICP 376 Age/Calv. 10/8  
 Avg. WI/Calf 105/8

SPN Mat. 89  
**FCT 040185**  
 HFN 000011  
 SPN Mat. 75  
**PER 060084**  
 SPN Mat. 104  
**SER 030039**  
 SPN Mat. 133  
**VV 010292**  
 SPN Mat. 130  
**VV 000092**  
 SPN Mat. 100  
**AG 040289**  
 SPN Mat. 120  
**PER 00125**  
 SPN Mat. 96

**Lot 15**

**ABB 180256**  
SPN Mat. 117

**ABB 120040 P**  
SPN Mat. 106



Elite-Silver  
**HOT 100176**

AFC 37 SPN Mat. 122  
 ICP 394 Age/Calv. 10/7  
 RI 103 Avg. WI/Calf 102/6

AFC 36 SPN Mat. 127  
 ICP 365 Age/Calv. 6/4  
 Avg. WI/Calf 100/4

**WAT 050078**  
SPN Mat. 90

**ABB 090105**

**HOT 050280**  
SPN Mat. 129  
Gold

**SAS 990283**


AFC 28 SPN Mat. 100  
 ICP 368 Age/Calv. 15/14  
 Avg. WI/Calf 99/12

SPN Mat. 113  
**WAT 000200**  
**WAT 020330**  
 SPN Mat. 105  
**HTC 030050**  
 SPN Mat. 135  
**ABB 990114**  
 SPN Mat. 98  
**HOT 030215**  
 SPN Mat. 113  
**DB 030001**  
 SPN Mat. 138  
**V 930393**  
 SPN Mat. 99  
**ASE 940043**  
 SPN Mat. 95

**Lot 16**

**ABB 180202**  
SPN Mat. 112

**ABB 150354**  
SPN Mat. 115



**ABB 110358**

AFC 31 SPN Mat. 109  
 ICP 359 Age/Calv. 8/7  
 RI 114 Avg. WI/Calf 101/6

AFC 35 SPN Mat. 130  
 ICP 364 Age/Calv. 8/6  
 Avg. WI/Calf 100/5

**JFE 100038**  
SPN Mat. 92

**ABB 120418**

**WVZ 030038**  
SPN Mat. 116

**ABB 040301**


AFC \* SPN Mat. 104  
 ICP 425 Age/Calv. \*/4  
 Avg. WI/Calf 103/4

SPN Mat. 73  
**CEF 050392**  
**FAN 050048**  
 SPN Mat. 134  
**KAN 090003**  
 SPN Mat. 115  
**ABB 010096**  
 SPN Mat. 108  
**RGR 000032**  
 SPN Mat. 121  
**WVZ 950062**  
 SPN Mat. 99  
 SPN Mat.  
 SPN Mat.

**Lot 17**

**GJG 180040**  
SPN Mat. 101

**GJG 120116**  
SPN Mat. 86



**GJG 150180**

AFC 30 SPN Mat. 91  
 ICP 382 Age/Calv. 5/3  
 RI 110 Avg. WI/Calf 100/3

AFC 29 SPN Mat. 103  
 ICP 400 Age/Calv. 8/6  
 Avg. WI/Calf 99/5

**FCT 090242**  
SPN Mat. 78

**GJG 090080**

**NFS 070070**  
SPN Mat. 89  
Silver

**GJG 130198**


AFC 24 SPN Mat. 89  
 ICP 572 Age/Calv. 4/2  
 Avg. WI/Calf 97/2

SPN Mat. 79  
**FCT 050127**  
**FCT 040061**  
 SPN Mat. 93  
**HJS 040331**  
 SPN Mat. 118  
**HJB 000296**  
 SPN Mat. 79  
**RGR 030116**  
 SPN Mat. 82  
**NFS 040285**  
 SPN Mat. 128  
**NFS 080210**  
 SPN Mat. 113  
**GJG 080203**  
 SPN Mat. 76

**Lot 18**

**GJG 180066**  
SPN Mat. 124

**GJG 140010**  
SPN Mat. 124



**GJG 150040**

AFC 36 SPN Mat. 119  
 ICP 438 Age/Calv. 5/3  
 RI 94 Avg. WI/Calf 95/2

AFC 31 SPN Mat. 119  
 ICP 393 Age/Calv. 9/7  
 Avg. WI/Calf 101/5

**BPJ 090069**  
SPN Mat. 113

**GJG 110133**

**NFS 100018**  
SPN Mat. 120  
Bronze

**JJC 100198**

AFC 30 SPN Mat. 126  
 ICP 398 Age/Calv. 8/6  
 Avg. WI/Calf 105/5

SPN Mat. 86  
**BHE 030083**  
**HJB 040171**  
 SPN Mat. 113  
**HDE 070095**  
 SPN Mat. 68  
**GJG 090036**  
 SPN Mat. 135  
**NFS 060067**  
 SPN Mat. 89  
**NFS 040340**  
 SPN Mat. 121  
**JMP 040095**  
 SPN Mat. 98  
**JJC 080041**  
 SPN Mat. 133

Lot	Verkoper	ID POENA Gen	OUERS VADER GV OV MOEDER GV OV	Toets Genomies Getoets DNS Geb. dat.	DIREKTE KALF EIENSKAPPE		DOGTER EIENSKAPPE			GROEI		DOEL	REP	MATES		V:	LHV GGV SGV	Semen Gebruikers	Gebruiker Eie Opmerkings			
					Nageslag Geboorte- gewig	Nageslag Speengewig	Gemak van Kalwing	Melk prod.	Volwas- se Gewig	Naspeen- gewig	Daaglikse Toename			Voer- omset	Hoogte & Lengte							
					Teelwaarde indekse																	
					Geb Dir	Speen Dir		Geb Mat	Speen Mat	Volw Gew	Naspeen	GDT	VOV	SO	Hgt	Lgt						
					Akk	Akk		Akk	Akk	Akk	Akk	Akk	Akk	Akk	Akk	Akk	Akk	Akk				
					Gew kg	Gew kg	Ind	kg	kg	kg	365d Ind	540d Ind	Ind	Ind	(mm)	(mm)	(mm)					

## BULLE


19	P.E. ROUX	PER 180048 SP	PER 140017	GTg	<b>98</b>	<b>100</b>	<b>96</b>	<b>114</b>	<b>97</b>	<b>94</b>	<b>109</b>	<b>110</b>	<b>107</b>	<b>114</b>	<b>107</b>	1.19			
						1.26	13.5	-0.03	7.8	6.0	17.8	142	-81	15.8	12	24	8.07		
			PER 150125	DNS	75	71	45	49	42	60	67	44	75	76	73				
					31.03.18	38	240	<b>105</b>		-	<b>96</b>	-	357	1180	1407	54.7			
20	P.E. ROUX	PER 180020 SP	PER 130013	GTg	<b>116</b>	<b>97</b>	<b>100</b>	<b>103</b>	<b>91</b>	<b>103</b>	<b>127</b>	<b>113</b>	<b>101</b>	<b>110</b>	<b>104</b>	1.18			
						-0.71	12.1	-0.19	4.6	0.0	24.2	224	-87	10.8	10	19	5.68		
			PER 110084	DNS	79	75	58	61	54	64	69	45	76	77	75				
					22.03.18	34	219	<b>99</b>		-	<b>113</b>	-	353	1176	1392	39.1			
21	ALLEM BROTHERS (PTY) LTD	ABB 180128 SP	ABB 110437	GT	<b>110</b>	<b>96</b>	<b>112</b>	<b>104</b>	<b>97</b>	<b>88</b>	<b>87</b>	<b>87</b>	<b>96</b>	<b>75</b>	<b>96</b>	1.25			
						-0.02	11.4	-0.74	5.2	6.0	13.4	34	-18	6.7	-19	9	5.61		
			ABB 130293	DNS	76	72	55	58	50	64	67	39	75	76	73				
					06.06.18	34	213	<b>109</b>		-	<b>95</b>	-	352	1106	1377	41.8			
22	ALLEM BROTHERS (PTY) LTD	ABB 180252 SP	ABB 100076	GT	<b>80</b>	<b>108</b>	<b>92</b>	<b>93</b>	<b>113</b>	<b>103</b>	<b>103</b>	<b>95</b>	<b>118</b>	<b>119</b>	<b>108</b>	1.17			
						3.19	17.0	0.17	2.0	24.0	24.3	110	-41	24.5	17	25	7.19		
			ABB 110218	DNS	77	71	57	60	54	64	68	37	75	76	73				
					10.05.18	45	193	<b>100</b>		-	<b>91</b>	-	376	1210	1420	35.6			
23	GOSSAYN BROTHERS	GJG 180096 SP	BPJ 090069	GTg	<b>109</b>	<b>88</b>	<b>88</b>	<b>109</b>	<b>70</b>	<b>102</b>	<b>112</b>	<b>108</b>	<b>108</b>	<b>100</b>	<b>100</b>	1.2			
						0.06	7.6	0.33	6.3	-24.0	23.5	155	-74	16.2	1	14	-		
			NFS 070349	DNS	79	74	60	63	54	64	69	35	76	78	75				
					13.06.18	35	228	<b>92</b>		-	<b>113</b>	-	357	1159	1392	45.2			
24	GOSSAYN BROTHERS	GJG 180014 SP	GJG 140010	GTg	<b>99</b>	<b>111</b>	<b>101</b>	<b>104</b>	<b>94</b>	<b>115</b>	<b>112</b>	<b>106</b>	<b>101</b>	<b>110</b>	<b>112</b>	1.22			
						1.17	18.3	-0.26	5.1	3.0	32.4	154	-69	10.6	9	31	-		
			GJG 150226	DNS	75	70	43	48	40	57	66	22	74	76	73				
					23.04.18	29	227	<b>96</b>		-	<b>99</b>	-	351	1180	1440	43.3			



### Lot 19

**PER 180048**  
SPN Mat. 114

**PER 140017**  
SPN Mat. 115



**PER 150125**

OEK 31 SPN Mat. 113  
TKP Oud/Kalw. 3/1  
RI 106 Gem. SI/Kalf 105/1

OEK 29 SPN Mat. 116  
TKP 398 Oud/Kalw. 9/7  
Gem. SI/Kalf 105/6

**PER 100123**

OEK 29 SPN Mat. 116  
TKP 398 Oud/Kalw. 9/7  
Gem. SI/Kalf 105/6

**PER 100019**

OEK 29 SPN Mat. 112  
TKP 365 Brons

**PER 130041**

OEK 29 SPN Mat. 120  
TKP 365 Oud/Kalw. 6/5  
Gem. SI/Kalf 103/5


**WAT 050078**

SPN Mat. 90  
**PER 020095**  
SPN Mat. 114  
**HDE 070034**  
SPN Mat. 123  
**PER 060046**  
SPN Mat. 88  
**VV 040046**  
SPN Mat. 114  
**PER 060138**  
SPN Mat. 120  
**GJG 090062**  
SPN Mat. 118  
**PER 100064**  
SPN Mat. 126

### Lot 20

**PER 180020**  
SPN Mat. 103

**PER 130013**  
SPN Mat. 104



**PER 110084**

OEK 31 SPN Mat. 102  
TKP 373 Oud/Kalw. 9/7  
RI 112 Gem. SI/Kalf 100/7

OEK 36 SPN Mat. 108  
TKP 430 Oud/Kalw. 8/5  
Gem. SI/Kalf 102/6

**JJ 080033**

OEK 36 SPN Mat. 108  
TKP 430 Oud/Kalw. 8/5  
Gem. SI/Kalf 102/6

**WAT 050078**

SPN Mat. 90

**PER 080123**

OEK 34 SPN Mat. 89  
TKP 374 Oud/Kalw. 12/10  
Gem. SI/Kalf 98/9


**JJ 050056**

SPN Mat. 132  
**JJ 000074**  
SPN Mat. 112  
**PER 000077**  
SPN Mat. 98  
**PER 020041**  
SPN Mat. 100  
**WAT 000200**  
SPN Mat. 113  
**WAT 020330**  
SPN Mat. 105  
**PER 060084**  
SPN Mat. 104  
**PER 060065**  
SPN Mat. 94

### Lot 21

**ABB 180128**  
SPN Mat. 104

**ABB 110437**  
SPN Mat. 112



**ABB 130293**

OEK 36 SPN Mat. 101  
TKP 375 Oud/Kalw. 5/3  
RI 102 Gem. SI/Kalf 105/3

OEK 36 SPN Mat. 113  
TKP 422 Oud/Kalw. 11/8  
Gem. SI/Kalf 106/7

**LAR 080284**

OEK 36 SPN Mat. 113  
TKP 422 Oud/Kalw. 11/8  
Gem. SI/Kalf 106/7

**FCT 090242**

SPN Mat. 78

**ABB 080112**

OEK 35 SPN Mat. 112  
TKP 386 Oud/Kalw. 5/3  
Gem. SI/Kalf 100/3


**BG 040088**

SPN Mat. 114  
**LAR 040240**  
SPN Mat. 100  
**LAR 050156**  
SPN Mat. 92  
**LAR 040091**  
SPN Mat. 81  
**FCT 050127**  
SPN Mat. 79  
**FCT 040061**  
SPN Mat. 93  
**JMP 040274**  
SPN Mat. 131  
**ABB 030128**  
SPN Mat. 85

### Lot 22

**ABB 180252**  
SPN Mat. 93

**ABB 100076**  
SPN Mat. 73



**ABB 110218**

OEK 29 SPN Mat. 112  
TKP 552 Oud/Kalw. 7/4  
RI 89 Gem. SI/Kalf 101/4

OEK 36 SPN Mat. 101  
TKP 413 Oud/Kalw. 9/6  
Gem. SI/Kalf 106/6

**WAT 050078**

SPN Mat. 90

**HJB 020112**

OEK 36 SPN Mat. 101  
TKP 413 Oud/Kalw. 9/6  
Gem. SI/Kalf 106/6

**AEJ 050183**

SPN Mat. 114

**ABB 050284**

OEK \* SPN Mat. 100  
TKP 478 Oud/Kalw. \*/3  
Gem. SI/Kalf 102/3


**WAT 000200**

SPN Mat. 113  
**WAT 020330**  
SPN Mat. 105  
**LAR 980060**  
SPN Mat. 74  
**RCO 910112**  
SPN Mat. 120  
**KHR 000012**  
SPN Mat. 121  
**AEJ 010137**  
SPN Mat. 118

### Lot 23

**GJG 180096**  
SPN Mat. 109

**BPJ 090069**  
SPN Mat. 113



**NFS 070349**

OEK 34 SPN Mat. 99  
TKP 391 Oud/Kalw. 12/10  
RI 107 Gem. SI/Kalf 96/10

OEK 28 SPN Mat. 113  
TKP 409 Oud/Kalw. 7/5  
Gem. SI/Kalf 104/4

**HJB 040171**

OEK 28 SPN Mat. 113  
TKP 409 Oud/Kalw. 7/5  
Gem. SI/Kalf 104/4

**NFS 030268**

SPN Mat. 102  
Silver

**NFS 050277**

OEK 24 SPN Mat. 113  
TKP 707 Oud/Kalw. 4/2  
Gem. SI/Kalf 96/2


**RCO 980037**

SPN Mat. 69  
**BHE 990076**  
SPN Mat. 112  
**HJB 000053**  
SPN Mat. 100  
**HJB 990092**  
SPN Mat. 100  
**NFS 970243**  
SPN Mat. 78  
**NFS 980103**  
SPN Mat. 115  
**DV 980393**  
SPN Mat. 106  
**NFS 930269**  
SPN Mat. 135

### Lot 24

**GJG 180014**  
SPN Mat. 104

**GJG 140010**  
SPN Mat. 124



**GJG 150226**

OEK 29 SPN Mat. 86  
TKP 445 Oud/Kalw. 5/3  
RI 105 Gem. SI/Kalf 96/2

OEK 31 SPN Mat. 119  
TKP 393 Oud/Kalw. 9/7  
Gem. SI/Kalf 101/5

**BPJ 090069**

SPN Mat. 113

**GJG 110133**

OEK 31 SPN Mat. 119  
TKP 393 Oud/Kalw. 9/7  
Gem. SI/Kalf 101/5

**GJG 120127**

SPN Mat. 79

**GJG 120071**

OEK 28 SPN Mat. 100  
TKP 407 Oud/Kalw. 3/2  
Gem. SI/Kalf 109/2

**BHE 030083**

SPN Mat. 86  
**HJB 040171**  
SPN Mat. 113  
**HDE 070095**  
SPN Mat. 68  
**GJG 090036**  
SPN Mat. 135  
**GJN 040236**  
SPN Mat. 73  
**GJG 070210**  
SPN Mat. 92  
**NFS 070070**  
SPN Mat. 89  
**NFS 080125**  
SPN Mat. 102

Lot	Seller	ID POLLED Gen	PARENTS		Test	Breeding Value Indexes											LHR	BWR	WWR	Semen Users	Breeder Own Remarks
			SIRE GV PV	DAM GV PV		Genomic Tested DNA	Birth Dir Acc	Wean Dir Acc	Birth Mat Acc	Wean Mat Acc	Mat Wgt Acc	Post Wean Acc	ADG Acc	FCR Acc	SC Acc	Hgt Acc					
					Birth Date	Wgt kg	Wgt kg	Ind	kg	kg	kg	365d Ind	540d Ind	Ind	Ind	(mm)	(mm)	(mm)			


## BULLS

25	P.E. ROUX	PER 180083 SP	JFE 100038 ☑	GTg	<b>102</b>	<b>103</b>	<b>91</b>	<b>102</b>	<b>105</b>	<b>101</b>	<b>101</b>	<b>97</b>	<b>99</b>	<b>99</b>	<b>107</b>	1.21		
			PER 140217	DNA	0.78 77	15.0 73	0.21 54	4.5 58	16.0 50	22.6 64	101 69	-45 32	9.0 76	0 77	25 74	7.24		
				24.04.18	36	229	100			-	95	-	343	1150	1391	50.9		
26	P.E. ROUX	PER 180080 SP	PER 140075 ☑	GTg	<b>101</b>	<b>96</b>	<b>100</b>	<b>102</b>	<b>96</b>	<b>97</b>	<b>110</b>	<b>101</b>	<b>85</b>	<b>107</b>	<b>113</b>	1.22		
			PER 140209	DNA	0.96 77	11.3 73	-0.22 52	4.6 56	6.0 50	19.6 63	144 68	-56 38	-2.7 75	7 76	32 74	7.66		
				21.04.18	40	240	102			-	107	-	328	1189	1449	46.6		
27	ALLEM BROTHERS (PTY) LTD	ABB 180112 SP	ABB 130201 ☑	GT	<b>114</b>	<b>98</b>	<b>104</b>	<b>86</b>	<b>108</b>	<b>104</b>	<b>121</b>	<b>108</b>	<b>96</b>	<b>103</b>	<b>111</b>	1.21		
			ABB 140511	DNA	-0.49 77	12.2 72	-0.37 52	0.1 57	19.0 49	25.0 63	197 68	-74 38	6.6 75	3 77	29 74	6.25		
				26.05.18	35	190	98			-	103	-	327	1151	1391	44.4		
28	ALLEM BROTHERS (PTY) LTD	ABB 180214 SP	ABB 100076 ☑	GTg	<b>71</b>	<b>125</b>	<b>104</b>	<b>103</b>	<b>132</b>	<b>121</b>	<b>120</b>	<b>109</b>	<b>108</b>	<b>115</b>	<b>116</b>	1.24		
			NFS 080027	DNA	4.04 79	25.0 75	-0.36 61	4.6 64	45.0 54	36.9 66	190 69	-77 44	15.9 76	14 78	37 75	6.47		
				27.04.18	45	260	114			-	107	-	340	1207	1498	42.5		
29	GOSSAYN BROTHERS	GJG 180053 SP	BPJ 090069 ☑	GTg	<b>93</b>	<b>100</b>	<b>100</b>	<b>88</b>	<b>80</b>	<b>96</b>	<b>91</b>	<b>102</b>	<b>102</b>	<b>110</b>	<b>94</b>	1.13		
			GJG 100138	DNA	1.79 78	13.3 74	-0.19 58	0.4 62	-13.0 54	19.1 64	57 70	-58 32	11.2 77	9 78	6 75	-		
				07.05.18	40	226	92			-	97	-	355	1183	1331	39.5		
30	GOSSAYN BROTHERS	GJG 180079 SP	BPJ 090069 ☑	GTg	<b>115</b>	<b>107</b>	<b>107</b>	<b>109</b>	<b>96</b>	<b>105</b>	<b>106</b>	<b>103</b>	<b>109</b>	<b>118</b>	<b>108</b>	1.19		
			GJG 110164	DNA	-0.53 77	16.7 73	-0.50 58	6.4 61	5.0 51	25.1 64	128 69	-61 32	16.7 76	16 77	26 74	-		
				25.05.18	28	253	106			-	100	-	356	1214	1448	41.5		

**Lot 25**

**PER 180083**  
SPN Mat. 102

**JFE 100038**  
SPN Mat. 92



**PER 140217**

AFC 29 SPN Mat. 112  
 ICP 382 Age/Calv. 6/4  
 RI 112 Avg. WI/Calf 103/4

AFC 35 SPN Mat. 134  
 ICP 444 Age/Calv. 5/3  
 Avg. WI/Calf 110/3

**CEP 050392**  
SPN Mat. 73

**FAN 050048**

**GJG 090062**  
SPN Mat. 118

**PER 120101**

AFC 25 SPN Mat. 95  
 ICP 538 Age/Calv. 4/2  
 Avg. WI/Calf 101/2

**CEP 020328**  
SPN Mat. 89

**CEP 000177**  
SPN Mat. 86

**FAN 980084**  
SPN Mat. 113

**FAN 990066**  
SPN Mat. 131

**HJS 040331**  
SPN Mat. 118

**NFS 020083**  
SPN Mat. 103


**WAT 050078**  
SPN Mat. 90

**PER 060094**  
SPN Mat. 99

**Lot 26**

**PER 180080**  
SPN Mat. 102

**PER 140075**  
SPN Mat. 109



**PER 140209**

AFC 30 SPN Mat. 93  
 ICP 364 Age/Calv. 5/4  
 RI 114 Avg. WI/Calf 104/4

AFC 36 SPN Mat. 117  
 ICP 436 Age/Calv. 7/4  
 Avg. WI/Calf 96/4

**JJ 080033**  
SPN Mat. 132  
 Bronze

**PER 090086**  
SPN Mat. 102

**ABB 090196**  
SPN Mat. 62

**PER 030095**

AFC 34 SPN Mat. 100  
 ICP 424 Age/Calv. 11/8  
 Avg. WI/Calf 106/8

**JJ 050056**  
SPN Mat. 112

**JJ 000074**  
SPN Mat. 83

**JMP 050276**  
SPN Mat. 116

**SER 030021**  
SPN Mat. 89

**FCT 040185**  
SPN Mat. 75

**HFN 000011**  
SPN Mat. 106


**DV 980393**  
SPN Mat. 86

**PER 970077**

**Lot 27**

**ABB 180112**  
SPN Mat. 86

**ABB 130201**  
SPN Mat. 66



**ABB 140511**

AFC 30 SPN Mat. 104  
 ICP 382 Age/Calv. 6/4  
 RI 111 Avg. WI/Calf 97/4

AFC 30 SPN Mat. 71  
 ICP 411 Age/Calv. 8/6  
 Avg. WI/Calf 97/6

**ABB 080215**

AFC 30 SPN Mat. 95  
 ICP 384 Age/Calv. 12/10  
 Avg. WI/Calf 101/9

**WAT 050078**  
SPN Mat. 90

**HJB 020112**  
SPN Mat. 101

**AG 040405**  
SPN Mat. 82

**AG 030149**  
SPN Mat. 88

**NFS 050325**  
SPN Mat. 121

**NFS 060055**  
SPN Mat. 138


**JMP 040274**  
SPN Mat. 131

**TDB 040082**  
SPN Mat. 56

**Lot 28**

**ABB 180214**  
SPN Mat. 103

**ABB 100076**  
SPN Mat. 73



**NFS 080027**

AFC 36 SPN Mat. 135  
 ICP 368 Age/Calv. 12/10  
 RI 110 Avg. WI/Calf 108/10

AFC 36 SPN Mat. 101  
 ICP 413 Age/Calv. 9/6  
 Avg. WI/Calf 106/6

**WAT 050078**  
SPN Mat. 90

**HJB 020112**

**NFS 050325**  
SPN Mat. 121

**NFS 050257**

AFC 29 SPN Mat. 107  
 ICP 416 Age/Calv. 10/8  
 Avg. WI/Calf 98/8

**WAT 000200**  
SPN Mat. 113

**WAT 020330**  
SPN Mat. 105

**LAR 980060**  
SPN Mat. 74

**RCO 910112**  
SPN Mat. 120

**FCT 990022**  
SPN Mat. 121

**NFS 980299**  
SPN Mat. 107


**MMJ 000174**  
SPN Mat. 101

**NFS 970187**  
SPN Mat. 114

**Lot 29**

**GJG 180053**  
SPN Mat. 88

**BPJ 090069**  
SPN Mat. 113



**GJG 100138**

AFC 31 SPN Mat. 60  
 ICP 363 Age/Calv. 10/8  
 RI 114 Avg. WI/Calf 93/8

AFC 28 SPN Mat. 113  
 ICP 409 Age/Calv. 7/5  
 Avg. WI/Calf 104/4

**GJN 040236**  
SPN Mat. 73

**GJG 070004**

AFC 30 SPN Mat. 67  
 ICP 368 Age/Calv. 10/8  
 Avg. WI/Calf 93/8

**RCO 980037**  
SPN Mat. 69

**BHE 990076**  
SPN Mat. 112

**HJB 000053**  
SPN Mat. 100

**HJB 990092**  
SPN Mat. 100

**GJN 000060**  
SPN Mat. 74

**GJN 990048**  
SPN Mat. 68


**AG 990157**  
SPN Mat. 69

**GZV 000144**  
SPN Mat. 96

**Lot 30**

**GJG 180079**  
SPN Mat. 109

**BPJ 090069**  
SPN Mat. 113



**GJG 110164**

AFC 30 SPN Mat. 114  
 ICP 369 Age/Calv. 9/7  
 RI 113 Avg. WI/Calf 104/6

AFC 28 SPN Mat. 113  
 ICP 409 Age/Calv. 7/5  
 Avg. WI/Calf 104/4

**BHE 030083**  
SPN Mat. 86  
 Gold

**HJB 040171**

**NFS 070070**  
SPN Mat. 89

**MCH 040127**

AFC 34 SPN Mat. 131  
 ICP 367 Age/Calv. 9/7  
 Avg. WI/Calf 110/7

**RCO 980037**  
SPN Mat. 69

**BHE 990076**  
SPN Mat. 112

**HJB 000053**  
SPN Mat. 100

**HJB 990092**  
SPN Mat. 100

**RGR 030116**  
SPN Mat. 82

**NFS 040285**  
SPN Mat. 128

**MCH 020012**  
SPN Mat. 100


**MCH 010055**  
SPN Mat. 112

Lot	Verkoper	ID POENA Gen	OUERS VADER GV OV MOEDER GV OV	Toets Genomies Getoets DNS Geb. dat.	Teelwaarde indekse										LHV GGV SGV	Semen Gebruikers	Gebruiker Eie Opmerkings	
					DIREKTE KALF EIENSKAPPE		DOGTER EIENSKAPPE			GROEI		DOEL	REP	MATES				V:
						Nageslag Geboorte- gewig	Nageslag Speengewig	Gemak van Kalwing	Melk prod.	Volwas- se Gewig	Naspeen- gewig	Daaglikse Toename	Voer- omset		Hoogte & Lengte			
						Geb Dir	Speen Dir	Geb Mat	Speen Mat	Volw Gew	Naspeen	GDT	VOV	SO	Hgt	Lgt		
						Akk	Akk	Akk	Akk	Akk	Akk	Akk	Akk	Akk	Akk	Akk	Akk	
						Gew kg	Gew kg	Ind	kg	kg	kg	365d Ind	540d Ind	Ind	Ind	(mm)	(mm)	(mm)


## BULLE

31	P.E. ROUX	PER 180015 SP	PER 130013 ☑	GTg	<b>114</b>	<b>96</b>	<b>119</b>	<b>90</b>	<b>96</b>	<b>92</b>	<b>108</b>	<b>105</b>	<b>95</b>	<b>119</b>	<b>107</b>	1.21		
			PER 060046	DNS	-0.46 79	11.4 73	-1.04 55	1.2 59	5.0 50	15.7 64	133 69	-68 50	5.4 76	16 78	24 75	5.09		
				20.03.18	30	250	<b>108</b>				-	<b>106</b>	-	348	1230	1487	44.5	
32	P.E. ROUX	PER 180087 SP	PER 140043 ☑	GTg	<b>86</b>	<b>109</b>	<b>85</b>	<b>106</b>	<b>107</b>	<b>107</b>	<b>114</b>	<b>102</b>	<b>104</b>	<b>112</b>	<b>115</b>	1.25		
			PER 130095	DNS	2.53 78	17.8 75	0.47 51	5.7 56	18.0 47	26.6 63	162 68	-59 45	13.0 76	11 77	35 74	7.32		
				25.04.18	45	252	<b>105</b>				-	<b>116</b>	-	356	1201	1501	46.7	
33	ALLEM BROTHERS (PTY) LTD	ABB 180010 SP	ABB 140486 ☑	GT	<b>105</b>	<b>111</b>	<b>106</b>	<b>101</b>	<b>107</b>	<b>113</b>	<b>120</b>	<b>106</b>	<b>100</b>	<b>122</b>	<b>115</b>	1.17		
			ABB 150496	DNS	0.52 75	18.3 70	-0.47 47	4.3 50	17.0 43	31.5 60	190 65	-69 33	9.7 73	19 75	35 72	6.96		
				19.04.18	33	205	<b>112</b>				-	<b>113</b>	-	325	1194	1401	53.9	
34	ALLEM BROTHERS (PTY) LTD	ABB 180113 SP	ABB 110437 ☑	GT	<b>119</b>	<b>88</b>	<b>116</b>	<b>115</b>	<b>87</b>	<b>83</b>	<b>90</b>	<b>93</b>	<b>90</b>	<b>105</b>	<b>99</b>	1.14		
			ABB 120088	DNS	-0.98 77	7.8 73	-0.92 56	8.2 59	-4.0 50	9.8 64	48 69	-36 39	2.1 76	5 77	13 74	5.08		
				26.05.18	32	195	<b>103</b>				-	<b>112</b>	-	313	1181	1351	38.4	
35	GOSSAYN BROTHERS	GJG 180003 SP	LAR 070037 ☑	GTg	<b>91</b>	<b>111</b>	<b>90</b>	<b>104</b>	<b>114</b>	<b>108</b>	<b>106</b>	<b>97</b>	<b>108</b>	<b>107</b>	<b>108</b>	1.21		
			GJG 120130	DNS	2.02 65	18.7 63	0.28 61	5.1 62	25.0 54	27.4 65	127 69	-47 49	16.0 76	7 77	25 75	-		
				04.04.18	26	217	<b>100</b>				-	<b>100</b>	-	355	1196	1446	32.4	
36	GOSSAYN BROTHERS	GJG 180026 SP	GJG 120116 ☑	GTg	<b>93</b>	<b>116</b>	<b>88</b>	<b>95</b>	<b>104</b>	<b>126</b>	<b>129</b>	<b>113</b>	<b>135</b>	<b>105</b>	<b>113</b>	1.23		
			GJG 130143	DNS	1.81 77	20.6 72	0.37 52	2.5 56	15.0 48	40.4 62	233 67	-88 26	37.9 75	5 76	32 74	-		
				30.04.18	35	241	<b>97</b>				-	<b>97</b>	-	391	1183	1454	47.7	


### Lot 31

<p><b>PER 180015</b> SPN Mat. 90</p>	<p><b>PER 130013</b> SPN Mat. 104</p> 	<table border="0" style="width: 100%;"> <tr> <td style="width: 30%; vertical-align: top;"> <p><b>JJ 080033</b> SPN Mat. 117 Brons</p> </td> <td style="width: 20%; vertical-align: top;"> <p><b>JJ 050056</b> SPN Mat. 132 <b>JJ 000074</b> SPN Mat. 112 <b>PER 000077</b> SPN Mat. 98 <b>PER 020041</b> SPN Mat. 100 <b>VV 940061</b> SPN Mat. 110 <b>PER 950026</b> SPN Mat. 93 <b>AG 920031</b> SPN Mat. 102 <b>PER L 0023</b> SPN Mat. 122</p> </td> </tr> <tr> <td style="width: 30%; vertical-align: top;"> <p><b>PER 060092</b> OEK 36 SPN Mat. 108 TKP 430 Oud/Kalw. 8/5 Gem. SI/Kalf 102/6</p> </td> <td style="width: 20%; vertical-align: top;"> <p><b>PER 000077</b> SPN Mat. 98 Goud</p> </td> </tr> <tr> <td style="width: 30%; vertical-align: top;"> <p><b>PER 980096</b> OEK 29 SPN Mat. 98 TKP 461 Oud/Kalw. 10/7 Gem. SI/Kalf 98/7</p> </td> <td style="width: 20%; vertical-align: top;"> <p><b>PER 060046</b> OEK 30 SPN Mat. 88 TKP 384 Oud/Kalw. 12/10 RI 111 Gem. SI/Kalf 100/10</p> </td> </tr> </table>	<p><b>JJ 080033</b> SPN Mat. 117 Brons</p>	<p><b>JJ 050056</b> SPN Mat. 132 <b>JJ 000074</b> SPN Mat. 112 <b>PER 000077</b> SPN Mat. 98 <b>PER 020041</b> SPN Mat. 100 <b>VV 940061</b> SPN Mat. 110 <b>PER 950026</b> SPN Mat. 93 <b>AG 920031</b> SPN Mat. 102 <b>PER L 0023</b> SPN Mat. 122</p>	<p><b>PER 060092</b> OEK 36 SPN Mat. 108 TKP 430 Oud/Kalw. 8/5 Gem. SI/Kalf 102/6</p>	<p><b>PER 000077</b> SPN Mat. 98 Goud</p>	<p><b>PER 980096</b> OEK 29 SPN Mat. 98 TKP 461 Oud/Kalw. 10/7 Gem. SI/Kalf 98/7</p>	<p><b>PER 060046</b> OEK 30 SPN Mat. 88 TKP 384 Oud/Kalw. 12/10 RI 111 Gem. SI/Kalf 100/10</p>
<p><b>JJ 080033</b> SPN Mat. 117 Brons</p>	<p><b>JJ 050056</b> SPN Mat. 132 <b>JJ 000074</b> SPN Mat. 112 <b>PER 000077</b> SPN Mat. 98 <b>PER 020041</b> SPN Mat. 100 <b>VV 940061</b> SPN Mat. 110 <b>PER 950026</b> SPN Mat. 93 <b>AG 920031</b> SPN Mat. 102 <b>PER L 0023</b> SPN Mat. 122</p>							
<p><b>PER 060092</b> OEK 36 SPN Mat. 108 TKP 430 Oud/Kalw. 8/5 Gem. SI/Kalf 102/6</p>	<p><b>PER 000077</b> SPN Mat. 98 Goud</p>							
<p><b>PER 980096</b> OEK 29 SPN Mat. 98 TKP 461 Oud/Kalw. 10/7 Gem. SI/Kalf 98/7</p>	<p><b>PER 060046</b> OEK 30 SPN Mat. 88 TKP 384 Oud/Kalw. 12/10 RI 111 Gem. SI/Kalf 100/10</p>							


### Lot 32

<p><b>PER 180087</b> SPN Mat. 106</p>	<p><b>PER 140043</b> SPN Mat. 99</p> 	<table border="0" style="width: 100%;"> <tr> <td style="width: 30%; vertical-align: top;"> <p><b>ABB 090196</b> SPN Mat. 62</p> </td> <td style="width: 20%; vertical-align: top;"> <p><b>FCT 040185</b> SPN Mat. 89 <b>HFN 000011</b> SPN Mat. 75 <b>PER 060084</b> SPN Mat. 104 <b>SER 030039</b> SPN Mat. 133 <b>VV 040046</b> SPN Mat. 114 <b>PER 060138</b> SPN Mat. 120 <b>WAT 050078</b> SPN Mat. 90 <b>PER 020116</b> SPN Mat. 102</p> </td> </tr> <tr> <td style="width: 30%; vertical-align: top;"> <p><b>PER 090134</b> OEK 37 SPN Mat. 135 TKP 410 Oud/Kalw. 6/4 Gem. SI/Kalf 108/4</p> </td> <td style="width: 20%; vertical-align: top;"> <p><b>PER 100019</b> SPN Mat. 112 Brons</p> </td> </tr> <tr> <td style="width: 30%; vertical-align: top;"> <p><b>PER 090017</b> OEK 37 SPN Mat. 85 TKP 395 Oud/Kalw. 8/6 Gem. SI/Kalf 95/6</p> </td> <td style="width: 20%; vertical-align: top;"> <p><b>PER 130095</b> OEK 28 SPN Mat. 110 TKP 411 Oud/Kalw. 7/5 RI 109 Gem. SI/Kalf 103/5</p> </td> </tr> </table>	<p><b>ABB 090196</b> SPN Mat. 62</p>	<p><b>FCT 040185</b> SPN Mat. 89 <b>HFN 000011</b> SPN Mat. 75 <b>PER 060084</b> SPN Mat. 104 <b>SER 030039</b> SPN Mat. 133 <b>VV 040046</b> SPN Mat. 114 <b>PER 060138</b> SPN Mat. 120 <b>WAT 050078</b> SPN Mat. 90 <b>PER 020116</b> SPN Mat. 102</p>	<p><b>PER 090134</b> OEK 37 SPN Mat. 135 TKP 410 Oud/Kalw. 6/4 Gem. SI/Kalf 108/4</p>	<p><b>PER 100019</b> SPN Mat. 112 Brons</p>	<p><b>PER 090017</b> OEK 37 SPN Mat. 85 TKP 395 Oud/Kalw. 8/6 Gem. SI/Kalf 95/6</p>	<p><b>PER 130095</b> OEK 28 SPN Mat. 110 TKP 411 Oud/Kalw. 7/5 RI 109 Gem. SI/Kalf 103/5</p>
<p><b>ABB 090196</b> SPN Mat. 62</p>	<p><b>FCT 040185</b> SPN Mat. 89 <b>HFN 000011</b> SPN Mat. 75 <b>PER 060084</b> SPN Mat. 104 <b>SER 030039</b> SPN Mat. 133 <b>VV 040046</b> SPN Mat. 114 <b>PER 060138</b> SPN Mat. 120 <b>WAT 050078</b> SPN Mat. 90 <b>PER 020116</b> SPN Mat. 102</p>							
<p><b>PER 090134</b> OEK 37 SPN Mat. 135 TKP 410 Oud/Kalw. 6/4 Gem. SI/Kalf 108/4</p>	<p><b>PER 100019</b> SPN Mat. 112 Brons</p>							
<p><b>PER 090017</b> OEK 37 SPN Mat. 85 TKP 395 Oud/Kalw. 8/6 Gem. SI/Kalf 95/6</p>	<p><b>PER 130095</b> OEK 28 SPN Mat. 110 TKP 411 Oud/Kalw. 7/5 RI 109 Gem. SI/Kalf 103/5</p>							


### Lot 33

<p><b>ABB 180010</b> SPN Mat. 101</p>	<p><b>ABB 140486</b> SPN Mat. 110</p> 	<table border="0" style="width: 100%;"> <tr> <td style="width: 30%; vertical-align: top;"> <p><b>LAR 070037</b> SPN Mat. 103</p> </td> <td style="width: 20%; vertical-align: top;"> <p><b>BG 040088</b> SPN Mat. 114 <b>LAR 040240</b> SPN Mat. 100 <b>NFS 060281 P</b> SPN Mat. 117 <b>NFS 070057</b> SPN Mat. 84 <b>WAT 050078</b> SPN Mat. 90 <b>HJB 020112</b> SPN Mat. 101 <b>LPS 060082</b> SPN Mat. 65 <b>ABB 050024</b> SPN Mat. 105</p> </td> </tr> <tr> <td style="width: 30%; vertical-align: top;"> <p><b>NFS 090009</b> OEK 25 SPN Mat. 108 TKP 412 Oud/Kalw. 7/5 Gem. SI/Kalf 103/5</p> </td> <td style="width: 20%; vertical-align: top;"> <p><b>ABB 100076</b> SPN Mat. 73</p> </td> </tr> <tr> <td style="width: 30%; vertical-align: top;"> <p><b>ABB 100057</b> OEK 31 SPN Mat. 97 TKP 363 Oud/Kalw. 6/4 Gem. SI/Kalf 109/3</p> </td> <td style="width: 20%; vertical-align: top;"> <p><b>ABB 150496</b> OEK 29 SPN Mat. 95 TKP 522 Oud/Kalw. 4/2 RI 103 Gem. SI/Kalf 108/2</p> </td> </tr> </table>	<p><b>LAR 070037</b> SPN Mat. 103</p>	<p><b>BG 040088</b> SPN Mat. 114 <b>LAR 040240</b> SPN Mat. 100 <b>NFS 060281 P</b> SPN Mat. 117 <b>NFS 070057</b> SPN Mat. 84 <b>WAT 050078</b> SPN Mat. 90 <b>HJB 020112</b> SPN Mat. 101 <b>LPS 060082</b> SPN Mat. 65 <b>ABB 050024</b> SPN Mat. 105</p>	<p><b>NFS 090009</b> OEK 25 SPN Mat. 108 TKP 412 Oud/Kalw. 7/5 Gem. SI/Kalf 103/5</p>	<p><b>ABB 100076</b> SPN Mat. 73</p>	<p><b>ABB 100057</b> OEK 31 SPN Mat. 97 TKP 363 Oud/Kalw. 6/4 Gem. SI/Kalf 109/3</p>	<p><b>ABB 150496</b> OEK 29 SPN Mat. 95 TKP 522 Oud/Kalw. 4/2 RI 103 Gem. SI/Kalf 108/2</p>
<p><b>LAR 070037</b> SPN Mat. 103</p>	<p><b>BG 040088</b> SPN Mat. 114 <b>LAR 040240</b> SPN Mat. 100 <b>NFS 060281 P</b> SPN Mat. 117 <b>NFS 070057</b> SPN Mat. 84 <b>WAT 050078</b> SPN Mat. 90 <b>HJB 020112</b> SPN Mat. 101 <b>LPS 060082</b> SPN Mat. 65 <b>ABB 050024</b> SPN Mat. 105</p>							
<p><b>NFS 090009</b> OEK 25 SPN Mat. 108 TKP 412 Oud/Kalw. 7/5 Gem. SI/Kalf 103/5</p>	<p><b>ABB 100076</b> SPN Mat. 73</p>							
<p><b>ABB 100057</b> OEK 31 SPN Mat. 97 TKP 363 Oud/Kalw. 6/4 Gem. SI/Kalf 109/3</p>	<p><b>ABB 150496</b> OEK 29 SPN Mat. 95 TKP 522 Oud/Kalw. 4/2 RI 103 Gem. SI/Kalf 108/2</p>							


### Lot 34

<p><b>ABB 180113</b> SPN Mat. 115</p>	<p><b>ABB 110437</b> SPN Mat. 112</p> 	<table border="0" style="width: 100%;"> <tr> <td style="width: 30%; vertical-align: top;"> <p><b>LAR 070037</b> SPN Mat. 103</p> </td> <td style="width: 20%; vertical-align: top;"> <p><b>BG 040088</b> SPN Mat. 114 <b>LAR 040240</b> SPN Mat. 100 <b>LAR 050156</b> SPN Mat. 92 <b>LAR 040091</b> SPN Mat. 81 <b>FCT 010168</b> SPN Mat. 81 <b>HDE 010125</b> SPN Mat. 106 <b>JMP 050005</b> SPN Mat. 116 <b>ABB 070353</b> SPN Mat. 124</p> </td> </tr> <tr> <td style="width: 30%; vertical-align: top;"> <p>Elite-Silver <b>LAR 080284</b> OEK 36 SPN Mat. 113 TKP 422 Oud/Kalw. 11/8 Gem. SI/Kalf 106/7</p> </td> <td style="width: 20%; vertical-align: top;"> <p><b>HDE 050160</b> SPN Mat. 79 Silver</p> </td> </tr> <tr> <td style="width: 30%; vertical-align: top;"> <p><b>ABB 090336</b> OEK 32 SPN Mat. 133 TKP 455 Oud/Kalw. 5/3 Gem. SI/Kalf 108/3</p> </td> <td style="width: 20%; vertical-align: top;"> <p><b>ABB 120088</b> OEK 29 SPN Mat. 120 TKP 420 Oud/Kalw. 7/5 RI 106 Gem. SI/Kalf 111/5</p> </td> </tr> </table>	<p><b>LAR 070037</b> SPN Mat. 103</p>	<p><b>BG 040088</b> SPN Mat. 114 <b>LAR 040240</b> SPN Mat. 100 <b>LAR 050156</b> SPN Mat. 92 <b>LAR 040091</b> SPN Mat. 81 <b>FCT 010168</b> SPN Mat. 81 <b>HDE 010125</b> SPN Mat. 106 <b>JMP 050005</b> SPN Mat. 116 <b>ABB 070353</b> SPN Mat. 124</p>	<p>Elite-Silver <b>LAR 080284</b> OEK 36 SPN Mat. 113 TKP 422 Oud/Kalw. 11/8 Gem. SI/Kalf 106/7</p>	<p><b>HDE 050160</b> SPN Mat. 79 Silver</p>	<p><b>ABB 090336</b> OEK 32 SPN Mat. 133 TKP 455 Oud/Kalw. 5/3 Gem. SI/Kalf 108/3</p>	<p><b>ABB 120088</b> OEK 29 SPN Mat. 120 TKP 420 Oud/Kalw. 7/5 RI 106 Gem. SI/Kalf 111/5</p>
<p><b>LAR 070037</b> SPN Mat. 103</p>	<p><b>BG 040088</b> SPN Mat. 114 <b>LAR 040240</b> SPN Mat. 100 <b>LAR 050156</b> SPN Mat. 92 <b>LAR 040091</b> SPN Mat. 81 <b>FCT 010168</b> SPN Mat. 81 <b>HDE 010125</b> SPN Mat. 106 <b>JMP 050005</b> SPN Mat. 116 <b>ABB 070353</b> SPN Mat. 124</p>							
<p>Elite-Silver <b>LAR 080284</b> OEK 36 SPN Mat. 113 TKP 422 Oud/Kalw. 11/8 Gem. SI/Kalf 106/7</p>	<p><b>HDE 050160</b> SPN Mat. 79 Silver</p>							
<p><b>ABB 090336</b> OEK 32 SPN Mat. 133 TKP 455 Oud/Kalw. 5/3 Gem. SI/Kalf 108/3</p>	<p><b>ABB 120088</b> OEK 29 SPN Mat. 120 TKP 420 Oud/Kalw. 7/5 RI 106 Gem. SI/Kalf 111/5</p>							

### Lot 35

<p><b>GJG 180003</b> SPN Mat. 104</p>	<p><b>LAR 070037</b> SPN Mat. 103</p> 	<table border="0" style="width: 100%;"> <tr> <td style="width: 30%; vertical-align: top;"> <p><b>BG 040088</b> SPN Mat. 114</p> </td> <td style="width: 20%; vertical-align: top;"> <p><b>BG 020058</b> SPN Mat. 113 <b>BG 000021</b> SPN Mat. 100 <b>AG 000257</b> SPN Mat. 103 <b>LAR 990240</b> SPN Mat. 83 <b>GJN 000060</b> SPN Mat. 74 <b>DKN 010124</b> SPN Mat. 97 <b>PER 030101</b> SPN Mat. 129 <b>GJG 030056</b> SPN Mat. 109</p> </td> </tr> <tr> <td style="width: 30%; vertical-align: top;"> <p><b>LAR 040240</b> OEK * SPN Mat. 100 TKP 608 Oud/Kalw. */8 Gem. SI/Kalf 100/6</p> </td> <td style="width: 20%; vertical-align: top;"> <p><b>GJN 060198</b> SPN Mat. 85 Goud Elite-Goud</p> </td> </tr> <tr> <td style="width: 30%; vertical-align: top;"> <p><b>GJG 070130</b> OEK 29 SPN Mat. 133 TKP 387 Oud/Kalw. 13/11 Gem. SI/Kalf 105/8</p> </td> <td style="width: 20%; vertical-align: top;"> <p><b>GJG 120130</b> OEK 31 SPN Mat. 105 TKP 365 Oud/Kalw. 8/6 RI 113 Gem. SI/Kalf 100/5</p> </td> </tr> </table>	<p><b>BG 040088</b> SPN Mat. 114</p>	<p><b>BG 020058</b> SPN Mat. 113 <b>BG 000021</b> SPN Mat. 100 <b>AG 000257</b> SPN Mat. 103 <b>LAR 990240</b> SPN Mat. 83 <b>GJN 000060</b> SPN Mat. 74 <b>DKN 010124</b> SPN Mat. 97 <b>PER 030101</b> SPN Mat. 129 <b>GJG 030056</b> SPN Mat. 109</p>	<p><b>LAR 040240</b> OEK * SPN Mat. 100 TKP 608 Oud/Kalw. */8 Gem. SI/Kalf 100/6</p>	<p><b>GJN 060198</b> SPN Mat. 85 Goud Elite-Goud</p>	<p><b>GJG 070130</b> OEK 29 SPN Mat. 133 TKP 387 Oud/Kalw. 13/11 Gem. SI/Kalf 105/8</p>	<p><b>GJG 120130</b> OEK 31 SPN Mat. 105 TKP 365 Oud/Kalw. 8/6 RI 113 Gem. SI/Kalf 100/5</p>
<p><b>BG 040088</b> SPN Mat. 114</p>	<p><b>BG 020058</b> SPN Mat. 113 <b>BG 000021</b> SPN Mat. 100 <b>AG 000257</b> SPN Mat. 103 <b>LAR 990240</b> SPN Mat. 83 <b>GJN 000060</b> SPN Mat. 74 <b>DKN 010124</b> SPN Mat. 97 <b>PER 030101</b> SPN Mat. 129 <b>GJG 030056</b> SPN Mat. 109</p>							
<p><b>LAR 040240</b> OEK * SPN Mat. 100 TKP 608 Oud/Kalw. */8 Gem. SI/Kalf 100/6</p>	<p><b>GJN 060198</b> SPN Mat. 85 Goud Elite-Goud</p>							
<p><b>GJG 070130</b> OEK 29 SPN Mat. 133 TKP 387 Oud/Kalw. 13/11 Gem. SI/Kalf 105/8</p>	<p><b>GJG 120130</b> OEK 31 SPN Mat. 105 TKP 365 Oud/Kalw. 8/6 RI 113 Gem. SI/Kalf 100/5</p>							

### Lot 36

<p><b>GJG 180026</b> SPN Mat. 95</p>	<p><b>GJG 120116</b> SPN Mat. 86</p> 	<table border="0" style="width: 100%;"> <tr> <td style="width: 30%; vertical-align: top;"> <p><b>FCT 090242</b> SPN Mat. 78</p> </td> <td style="width: 20%; vertical-align: top;"> <p><b>FCT 050127</b> SPN Mat. 79 <b>FCT 040061</b> SPN Mat. 93 <b>HJS 040331</b> SPN Mat. 118 <b>HJB 000296</b> SPN Mat. 79 <b>BHE 030083</b> SPN Mat. 86 <b>HJB 040171</b> SPN Mat. 113 <b>GZV 070112</b> SPN Mat. 90 <b>GZV 070047</b> SPN Mat. 127</p> </td> </tr> <tr> <td style="width: 30%; vertical-align: top;"> <p><b>GJG 090080</b> OEK 29 SPN Mat. 103 TKP 400 Oud/Kalw. 8/6 Gem. SI/Kalf 99/5</p> </td> <td style="width: 20%; vertical-align: top;"> <p><b>BPJ 090069</b> SPN Mat. 113</p> </td> </tr> <tr> <td style="width: 30%; vertical-align: top;"> <p><b>GJG 100004</b> OEK 30 SPN Mat. 103 TKP 375 Oud/Kalw. 6/4 Gem. SI/Kalf 101/3</p> </td> <td style="width: 20%; vertical-align: top;"> <p><b>GJG 130143</b> OEK 32 SPN Mat. 106 TKP 360 Oud/Kalw. 7/5 RI 112 Gem. SI/Kalf 98/4</p> </td> </tr> </table>	<p><b>FCT 090242</b> SPN Mat. 78</p>	<p><b>FCT 050127</b> SPN Mat. 79 <b>FCT 040061</b> SPN Mat. 93 <b>HJS 040331</b> SPN Mat. 118 <b>HJB 000296</b> SPN Mat. 79 <b>BHE 030083</b> SPN Mat. 86 <b>HJB 040171</b> SPN Mat. 113 <b>GZV 070112</b> SPN Mat. 90 <b>GZV 070047</b> SPN Mat. 127</p>	<p><b>GJG 090080</b> OEK 29 SPN Mat. 103 TKP 400 Oud/Kalw. 8/6 Gem. SI/Kalf 99/5</p>	<p><b>BPJ 090069</b> SPN Mat. 113</p>	<p><b>GJG 100004</b> OEK 30 SPN Mat. 103 TKP 375 Oud/Kalw. 6/4 Gem. SI/Kalf 101/3</p>	<p><b>GJG 130143</b> OEK 32 SPN Mat. 106 TKP 360 Oud/Kalw. 7/5 RI 112 Gem. SI/Kalf 98/4</p>
<p><b>FCT 090242</b> SPN Mat. 78</p>	<p><b>FCT 050127</b> SPN Mat. 79 <b>FCT 040061</b> SPN Mat. 93 <b>HJS 040331</b> SPN Mat. 118 <b>HJB 000296</b> SPN Mat. 79 <b>BHE 030083</b> SPN Mat. 86 <b>HJB 040171</b> SPN Mat. 113 <b>GZV 070112</b> SPN Mat. 90 <b>GZV 070047</b> SPN Mat. 127</p>							
<p><b>GJG 090080</b> OEK 29 SPN Mat. 103 TKP 400 Oud/Kalw. 8/6 Gem. SI/Kalf 99/5</p>	<p><b>BPJ 090069</b> SPN Mat. 113</p>							
<p><b>GJG 100004</b> OEK 30 SPN Mat. 103 TKP 375 Oud/Kalw. 6/4 Gem. SI/Kalf 101/3</p>	<p><b>GJG 130143</b> OEK 32 SPN Mat. 106 TKP 360 Oud/Kalw. 7/5 RI 112 Gem. SI/Kalf 98/4</p>							






**Lot 37**

**PER 180042**  
SPN Mat. 100

**PER 130013**  
SPN Mat. 104



**PER 110102**  
AFC 30 SPN Mat. 99  
ICP 367 Age/Calv. 9/7  
RI 114 Avg. WI/Calf 100/7

**JJ 080033**  
SPN Mat. 117  
Bronze

**PER 060092**  
AFC 36 SPN Mat. 108  
ICP 430 Age/Calv. 8/5  
Avg. WI/Calf 102/6

**HDE 070034**  
SPN Mat. 123  
Bronze

**PER 070022**  
AFC 36 SPN Mat. 62  
ICP 402 Age/Calv. 10/7  
Avg. WI/Calf 94/7

**JJ 050056**  
SPN Mat. 132

**JJ 000074**  
SPN Mat. 112

**PER 000077**  
SPN Mat. 98

**PER 020041**  
SPN Mat. 100

**HDE 030081**  
SPN Mat. 98

**HDE 980191**  
SPN Mat. 128


**GJN 030098**  
SPN Mat. 62

**PER 030030**  
SPN Mat. 86

**Lot 38**

**PER 180059**  
SPN Mat. 95

**PER 140075**  
SPN Mat. 109



**PER 140135**  
AFC 31 SPN Mat. 78  
ICP 379 Age/Calv. 6/4  
RI 111 Avg. WI/Calf 96/4

**JJ 080033**  
SPN Mat. 117  
Bronze

**PER 090086**  
AFC 36 SPN Mat. 102  
ICP 436 Age/Calv. 7/4  
Avg. WI/Calf 96/4

**ABB 090196**  
SPN Mat. 62

Elite-Gold

**PER 050045**  
AFC 32 SPN Mat. 102  
ICP 395 Age/Calv. 13/11  
Avg. WI/Calf 100/11

**JJ 050056**  
SPN Mat. 132

**JJ 000074**  
SPN Mat. 112

**JMP 050276**  
SPN Mat. 83

**SER 030021**  
SPN Mat. 116

**FCT 040185**  
SPN Mat. 89

**HFN 000011**  
SPN Mat. 75


**PER 010036**  
SPN Mat. 93

**PER 990004**  
SPN Mat. 125

**Lot 39**

**ABB 180284**  
SPN Mat. 98

**ABB 120040 P**  
SPN Mat. 106



**NFS 070023**  
AFC 24 SPN Mat. 93  
ICP 373 Age/Calv. 11/10  
RI 117 Avg. WI/Calf 97/10

**WAT 050078**  
SPN Mat. 90

**ABB 090105**  
AFC 36 SPN Mat. 127  
ICP 365 Age/Calv. 6/4  
Avg. WI/Calf 100/4

**AG 030249**  
SPN Mat. 76

Elite-Silver

**NFS 040281**  
AFC 30 SPN Mat. 108  
ICP 388 Age/Calv. 11/9  
Avg. WI/Calf 101/8

**WAT 000200**  
SPN Mat. 113

**WAT 020330**  
SPN Mat. 105

**HTC 030050**  
SPN Mat. 135

**ABB 990114**  
SPN Mat. 98

**AG 980338**  
SPN Mat. 86

**AG 940180**  
SPN Mat. 97


**NFS 010066**  
SPN Mat. 118

**TNS 010124**  
SPN Mat. 82

**Lot 40**

**ABB 180121**  
SPN Mat. 86

**NFS 140013**  
SPN Mat. 85



**ABB 140441**  
AFC 30 SPN Mat. 86  
ICP 431 Age/Calv. 6/4  
RI 105 Avg. WI/Calf 96/2

**LAR 070037**  
SPN Mat. 103

**NFS 100188**  
AFC 30 SPN Mat. 68  
ICP 391 Age/Calv. 10/8  
Avg. WI/Calf 97/8

**JFE 100023**  
SPN Mat. 107

**ABB 080409**  
AFC 35 SPN Mat. 83  
ICP 371 Age/Calv. 12/10  
Avg. WI/Calf 97/9

**BG 040088**  
SPN Mat. 114

**LAR 040240**  
SPN Mat. 100

**NFS 070151**  
SPN Mat. 75

**NFS 080184**  
SPN Mat. 89

**FCT 060147**  
SPN Mat. 84

**JPL 990191**  
SPN Mat. 133


**HJB 010563**  
SPN Mat. 106

**ABB 040120**  
SPN Mat. 103

**Lot 41**

**GJG 180089**  
SPN Mat. 108

**BPJ 090069**  
SPN Mat. 113



**GJG 130011**  
AFC 30 SPN Mat. 104  
ICP 416 Age/Calv. 7/5  
RI 106 Avg. WI/Calf 102/5

**BHE 030083**  
SPN Mat. 86  
Gold

**HJB 040171**  
AFC 28 SPN Mat. 113  
ICP 409 Age/Calv. 7/5  
Avg. WI/Calf 104/4

**GJN 060198**  
SPN Mat. 85  
Gold

**GZV 070047**  
AFC 30 SPN Mat. 127  
ICP 382 Age/Calv. 13/11  
Avg. WI/Calf 104/9

**RCO 980037**  
SPN Mat. 69

**BHE 990076**  
SPN Mat. 112

**HJB 000053**  
SPN Mat. 100

**HJB 990092**  
SPN Mat. 100

**GJN 000060**  
SPN Mat. 74

**DKN 010124**  
SPN Mat. 97


**EI 030153**  
SPN Mat. 90

**HJB 030382**  
SPN Mat. 122

**Lot 42**

**GJG 180105**  
SPN Mat. 99

**BPJ 090069**  
SPN Mat. 113



**GZV 030048**  
AFC 23 SPN Mat. 84  
ICP 385 Age/Calv. 15/13  
RI 114 Avg. WI/Calf 94/13

**BHE 030083**  
SPN Mat. 86  
Gold

**HJB 040171**  
AFC 28 SPN Mat. 113  
ICP 409 Age/Calv. 7/5  
Avg. WI/Calf 104/4

**JRB 970047**  
SPN Mat. 93

**GZV 990049**  
AFC 35 SPN Mat. 85  
ICP 400 Age/Calv. 8/6  
Avg. WI/Calf 99/5

**RCO 980037**  
SPN Mat. 69

**BHE 990076**  
SPN Mat. 112

**HJB 000053**  
SPN Mat. 100

**HJB 990092**  
SPN Mat. 100

**JRB 930179**  
SPN Mat. 78

**JRB 920150**  
SPN Mat. 98

**RAI 940001**  
SPN Mat. 107


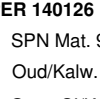
**CTZ 940070**  
SPN Mat. 58

Lot	Verkoper	ID POENA Gen	OUERS	Toets	Teelwaarde indekse												LHV	GGV	SGV	Semen Gebruikers	Gebruiker Eie Opmerkings
					DIREKTE KALF EIENSKAPPE		DOGTER EIENSKAPPE			GROEI		DOEL	REP	MATES		V:					
						Nageslag Geboortegewig	Nageslag Speengewig	Gemak van Kalwing	Melk prod.	Volwas-se Gewig	Naspeen-gewig	Daaglikse Toename	Voer-omset		Hoogte & Lengte						
				VADER GV OV	Genomies Getoets	Geb Dir	Speen Dir	Geb Mat	Speen Mat	Volw Gew	Naspeen	GDT	VOV	SO	Hgt	Lgt					
				MOEDER GV OV	DNS	Akk	Akk	Akk	Akk	Akk	Akk	Akk	Akk	Akk	Akk	Akk	Akk				
					Geb. dat.	Gew kg	Gew kg	Ind	kg	kg	kg	365d Ind	540d Ind	Ind	Ind	(mm)	(mm)	(mm)			


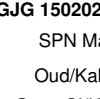
## BULLE

43	P.E. ROUX	PER 180062 SP	PER 140075	GTg	<b>96</b>	<b>96</b>	<b>91</b>	<b>103</b>	<b>97</b>	<b>99</b>	<b>115</b>	<b>101</b>	<b>97</b>	<b>114</b>	<b>119</b>	1.22		
					1.45	11.3	0.23	4.8	7.0	21.1	168	-58	7.1	12	41	7.97		
			PER 140126	DNS	76	72	51	55	48	63	68	37	75	76	74			
				10.04.18	42	229	<b>95</b>			-	<b>112</b>	-	349	1204	1473	43.8		
44	GOSSAYN BROTHERS	GJG 180059 SP	GJG 140010	GTg	<b>78</b>	<b>112</b>	<b>90</b>	<b>105</b>	<b>98</b>	<b>117</b>	<b>110</b>	<b>108</b>	<b>92</b>	<b>113</b>	<b>105</b>	1.16		
					3.33	19.2	0.24	5.3	7.0	33.8	145	-76	2.9	12	22	-		
			GJG 150202	DNS	76	71	45	49	37	58	66	22	74	76	73			
				10.05.18	39	232	<b>94</b>			-	<b>102</b>	-	332	1164	1353	43.8		

**Lot 43**

<p><b>PER 180062</b> SPN Mat. 103</p>	<p><b>PER 140075</b> SPN Mat. 109</p> 	<p><b>PER 090086</b> SPN Mat. 102 Oud/Kalw. 7/4 Gem. Sl/Kalf 96/4</p>	<p><b>JJ 050056</b> SPN Mat. 132 <b>JJ 000074</b> SPN Mat. 112 <b>JMP 050276</b> SPN Mat. 83 <b>SER 030021</b> SPN Mat. 116 <b>FCT 040185</b> SPN Mat. 89 <b>HFN 000011</b> SPN Mat. 75 <b>JPL 040065</b> SPN Mat. 120 <b>PER 050096</b> SPN Mat. 114</p>
<p>OEK 32    SPN Mat. 91 TKP 359    Oud/Kalw. 5/3 RI 111    Gem. Sl/Kalf 97/3</p>		<p>OEK 36    SPN Mat. 102 TKP 436    Oud/Kalw. 7/4 Gem. Sl/Kalf 96/4</p>	<p>OEK 30    SPN Mat. 134 TKP 392    Oud/Kalw. 12/10 Gem. Sl/Kalf 107/8</p>

**Lot 44**

<p><b>GJG 180059</b> SPN Mat. 105</p>	<p><b>GJG 140010</b> SPN Mat. 124</p> 	<p><b>GJG 110133</b> SPN Mat. 119 Oud/Kalw. 9/7 Gem. Sl/Kalf 101/5</p>	<p><b>BHE 030083</b> SPN Mat. 86 <b>HJB 040171</b> SPN Mat. 113 <b>HDE 070095</b> SPN Mat. 68 <b>GJG 090036</b> SPN Mat. 135 <b>ZAK 050115</b> SPN Mat. 112 <b>VBB 080171</b> SPN Mat. 85 <b>JPL 040139 P</b> SPN Mat. 81 <b>JPL 040005 P</b> SPN Mat. 102</p>
<p>OEK 30    SPN Mat. 83 TKP 407    Oud/Kalw. 4/2 RI 107    Gem. Sl/Kalf 98/2</p>		<p>OEK 31    SPN Mat. 119 TKP 393    Oud/Kalw. 9/7 Gem. Sl/Kalf 101/5</p>	<p>OEK 25    SPN Mat. 83 TKP 396    Oud/Kalw. 14/12 Gem. Sl/Kalf 98/11</p>