

**EXPLANATION OF ABBREVIATIONS IN CATALOGUE**

**VERDUIDELIKING VAN AFKORTINGS IN KATALOGUS**

	DIRECT CALF TRAITS	DIREKTE KALF EIENSKAPPE	Kalf eienskappe
Calf traits	DIRECT CALF TRAITS	DIREKTE KALF EIENSKAPPE	Kalf eienskappe
Daughter traits	DAUGHTER TRAITS	DOGTER EIENSKAPPE	Dogter eienskappe
Growth traits	GROWTH	GROEI	Groei eienskappe
Efficiency traits	EFF	DOEL	Doeltreffendheids eienskappe
Reproduction traits	REPRODUCTION	REPRODUKSIE	Reproduksie eienskappe
Body measurements	MEASURE	MATES	Liggaamsmates
Lot number	Lot	Lot	Lotnommer
Ratio	R:	V:	Verhouding
Identification number	ID	ID	Identifikasienommer
Generation/Section of Herdbook	Gen	Gen	Generasie/Afdeling van kuddeboek
Weight in kilogram	Wgt kg	Gew kg	Gewig in kilogram
Index	Ind	Ind	Indeks
Accuracy of breeding value	Acc	Akk	Akkuraatheid van teelwaarde
Birth direct (kg)	Birth Dir	Geb Dir	Geboorte direk (kg)
Birth maternal (kg)	Birth Mat	Geb Mat	Geboorte maternaal (kg)
Wean direct (kg)	Wean Dir	Speen Dir	Speen direk (kg)
Wean maternal (kg)	Wean Mat	Speen Mat	Speen maternaal (kg)
Mature weight (kg)	Mature Wgt	Volw Gew	Volwasse gewig (kg)
365 Days (kg)	365d	365d	365 Dae (kg)
540 Days (kg)	540d	540d	540 Dae (kg)
Average daily gain (g/day)	ADG	GDT	Gemiddelde daaglikse toename (g/dag)
Feed conversion ratio	FCR	VOV	Voeromsetverhouding
Scrotal circumference (mm)	SC	SO	Skrotum omvang (mm)
Age First Calving	AFC	OEK	Ouderdom Eerste Kalwing
Inter Calving Period	ICP	TKP	Tussen Kalf Periode
Height (mm)	Hgt	Hgt	Hoogte (mm)
Length (mm)	Lgt	Lgt	Lengte (mm)
Length : Height ratio	LHR	HLV	Lengte : Hoogte verhouding
Birth weight : Cow weight ratio	BWR	GGV	Geboortegewig : Koeigewig verhouding
Wean weight : Cow weight ratio	WWR	SGV	Speengewig : Koeigewig verhouding
Age in years and months / Number of calvings	Age / Calv	Oud / Kalw	Ouderdom in jare en maande / Aantal kalwings
Average Wean index / Number of calves	Ave WI / Calf	Gem SI / Kalf	Gemiddelde Speenindeks / Aantal kalwers
Reproduction index	R.I.	R.I.	Reproduksie Indeks
Polled	Polled	Poena	Poena
Post Wean 365 days & Post Wean 540 days	PW365 & PW540	NS365 & NS540	Naspeen 365 dae & Naspeen 540 dae
Growth test & Growth test group	GT & GTg	GT & GTg	Groei Toets & Groeitoets groep
Central test	CT	ST	Sentrale toets
Ouerskap Verifikasie	OV	PV	Parentage Verification
Genomies Getoets	GT	GT	Genomically Tested
Homosigoties Poena (Celtic Toets)	PP(c)	PP(c)	Homozygous Polled (Celtic Test)
Heterosigoties Poena (Celtic Toets)	Pp(c)	Pp(c)	Heterozygous Polled (Celtic Test)
Beide Ouers Geverifieer	PV	PV	Both Parents Verified
Sire Geverifieer	SV	SV	Sire Verified
Dam Geverifieer	DV	DV	Dam Verified

## FEMALE ANIMALS


Lot	Seller	ID	PARENTS	Test	Breeding Value Indexes											R:	Calf ID	Breeder Own Remarks					
					DIRECT CALF TRAITS		DAUGHTER TRAITS			GROWTH		EFF.	REP	MEASURE-MENTS									
		POLLED		Gen		SIRE	PV	Genomic Tested	Birth Dir	Wean Dir	Birth Mat	Wean Mat	Mat Wgt	Post Wean	ADG	FCR	SC	Hgt	Lgt	LHR	Birth Date (Weight)		
						DAM	PV	DNA	Acc	Acc	Acc	Acc	Acc	Acc	Acc	Acc	Acc	Acc	Acc	BWR	Sire		
						GV	PV	Birth Date	Wgt kg	Wgt kg	Ind	kg	kg	kg	365dM	540dInd	Ind	Ind	(mm)	(mm)	(mm)	WWR	GT / POLLED

### Cows with Calves


51 A	SERNICK BONSMARA STOET	NFS 140022	LAR 070037	PW365	<b>91</b>	<b>117</b>	<b>98</b>	<b>127</b>	<b>102</b>	<b>117</b>	<b>115</b>	<b>105</b>	<b>113</b>	<b>120</b>	<b>119</b>	-	BONMNFS 200077
			NFS 090087		1.92	21.2	-0.11	11.4	12.0	33.2	168	-57	20.1	18	40	5.69	BONMMCU 130126
				06.04.14	83	77	77	76	68	65	60	59	63	63	62	40.2	
51 B	SERNICK BONSMARA STOET	NFS 140122	FCT 120053	PW365	<b>81</b>	<b>119</b>	<b>90</b>	<b>87</b>	<b>117</b>	<b>129</b>	<b>122</b>	<b>115</b>	<b>113</b>	<b>111</b>	<b>107</b>	-	BONNFNS 200094
			ZVJ 100108	DNA	3.08	22.1	0.27	0.1	29.0	41.6	197	-78	20.2	10	24	6.92	BONMNFS 150069
				07.05.14	83	79	76	78	72	66	56	55	58	58	57	46	
52 A	SERNICK BONSMARA STOET	NFS 140017	LAR 070037	PW365	<b>87</b>	<b>117</b>	<b>84</b>	<b>76</b>	<b>118</b>	<b>118</b>	<b>108</b>	<b>106</b>	<b>99</b>	<b>102</b>	<b>105</b>	-	BONMNFS 200139
			NFS 110013		2.38	20.9	0.55	-2.8	29.0	34.0	131	-59	9.1	4	21	6.6	BONMAG 140095
				03.04.14	84	78	81	79	74	66	58	54	59	59	59	38.6	
52 B	SERNICK BONSMARA STOET	NFS 140201	FCT 120053	PW540	<b>80</b>	<b>113</b>	<b>98</b>	<b>108</b>	<b>115</b>	<b>116</b>	<b>113</b>	<b>108</b>	<b>110</b>	<b>114</b>	<b>113</b>	-	BONMNFS 200064
			ZVJ 100011	DNA	3.14	19.0	-0.08	6.2	26.0	32.8	155	-62	17.9	13	32	6.27	BONMNFS 160243
				29.09.14	83	78	74	73	64	72	60	60	63	64	63	43.3	
53 A	SERNICK BONSMARA STOET	NFS 140073	NFS 110101	PW365	<b>106</b>	<b>111</b>	<b>110</b>	<b>99</b>	<b>124</b>	<b>117</b>	<b>111</b>	<b>112</b>	<b>111</b>	<b>113</b>	<b>111</b>	-	BONMNFS 200128
			NFS 100139		0.37	18.3	-0.63	3.6	37.0	33.3	148	-71	18.6	12	29	5.44	BONMNFS 170286
				23.04.14	81	68	73	71	66	60	62	65	66	67	66	47.6	
53 B	SERNICK BONSMARA STOET	NFS 140195	DKN 090345	PW540	<b>97</b>	<b>114</b>	<b>106</b>	<b>91</b>	<b>116</b>	<b>115</b>	<b>120</b>	<b>113</b>	<b>109</b>	<b>109</b>	<b>104</b>	-	BONMNFS 200037
			NFS 120043		1.32	19.8	-0.45	1.3	27.0	32.0	187	-74	17.2	9	20	7.5	BONMLAR 140064
				28.09.14	81	76	72	74	71	69	61	64	65	66	64	56.5	

1.02	13.3	-0.19	3.8	10	21.7	96	-46	9.6	2	14
------	------	-------	-----	----	------	----	-----	-----	---	----


**Lot 51A**

<p><b>NFS 140022</b>                  SPN Mat. 127                  AFC 24                  ICP 367                  RI 120                  Age/Calv. 6/5                  Avg. WI/Calf 109/3</p>	<p><b>LAR 070037</b>                  SPN Mat. 98</p> 	<p><b>NFS 090087</b>                  SPN Mat. 144                  Age/Calv. 6/4                  Avg. WI/Calf 110/4</p>	<p><b>BG 040088</b>                  SPN Mat. 112</p> <p><b>LAR 040240</b>                  AFC *                  ICP 608                  SPN Mat. 102                  Age/Calv. */8                  Avg. WI/Calf 100/6</p> <p><b>NFS 060243</b>                  SPN Mat. 136                  Gold                  Elite-Gold</p> <p><b>NFS 070233</b>                  SPN Mat. 114                  Age/Calv. 11/10                  Avg. WI/Calf 103/8</p>	<p><b>BG 020058</b>                  SPN Mat. 116  <b>BG 000021</b>                  SPN Mat. 100  <b>AG 000257</b>                  SPN Mat. 103  <b>LAR 990240</b>                  SPN Mat. 84  <b>AG 020338</b>                  SPN Mat. 111  <b>T 030046</b>                  SPN Mat. 151  <b>AEJ 020067</b>                  SPN Mat. 94  <b>T 020044</b>                  SPN Mat. 131</p>


**Lot 51B**

<p><b>NFS 140122</b>                  SPN Mat. 87                  AFC 29                  ICP 429                  RI 106                  Age/Calv. 6/4                  Avg. WI/Calf 100/3</p>	<p><b>FCT 120053</b>                  SPN Mat. 85</p> 	<p><b>ZVJ 100108</b>                  SPN Mat. 98                  Age/Calv. 10/8                  Avg. WI/Calf 99/7</p>	<p><b>FCT 080201</b>                  SPN Mat. 110</p> <p><b>FCT 080094</b>                  AFC 35                  ICP 370                  SPN Mat. 83                  Age/Calv. 7/5                  Avg. WI/Calf 101/3</p> <p><b>BEI 070107</b>                  SPN Mat. 122</p> <p><b>HJS 040356</b>                  AFC 29                  ICP 419                  SPN Mat. 78                  Age/Calv. 7/5                  Avg. WI/Calf 96/5</p>	<p><b>WAT 050342</b>                  SPN Mat. 91  <b>EI 010452</b>                  SPN Mat. 155  <b>FCT 050127</b>                  SPN Mat. 74  <b>FCT 990098</b>                  SPN Mat. 90  <b>BEI 020134</b>                  SPN Mat. 88  <b>BEI 040046</b>                  SPN Mat. 102  <b>MMJ 980012</b>                  SPN Mat. 95  <b>HJS 000036</b>                  SPN Mat. 81</p>


**Lot 52A**

<p><b>NFS 140017</b>                  SPN Mat. 76                  AFC 24                  ICP 369                  RI 119                  Age/Calv. 6/5                  Avg. WI/Calf 99/5</p>	<p><b>LAR 070037</b>                  SPN Mat. 98</p> 	<p><b>NFS 110013</b>                  SPN Mat. 75                  Age/Calv. 9/7                  Avg. WI/Calf 94/6</p>	<p><b>BG 040088</b>                  SPN Mat. 112</p> <p><b>LAR 040240</b>                  AFC *                  ICP 608                  SPN Mat. 102                  Age/Calv. */8                  Avg. WI/Calf 100/6</p> <p><b>NFS 080032</b>                  SPN Mat. 119                  Gold</p> <p><b>NFS 060176</b>                  SPN Mat. 65                  Age/Calv. 6/4                  Avg. WI/Calf 95/4</p>	<p><b>BG 020058</b>                  SPN Mat. 116  <b>BG 000021</b>                  SPN Mat. 100  <b>AG 000257</b>                  SPN Mat. 103  <b>LAR 990240</b>                  SPN Mat. 84  <b>NFS 050325</b>                  SPN Mat. 122  <b>NFS 060055</b>                  SPN Mat. 139  <b>FCT 000188</b>                  SPN Mat. 70  <b>NFS 980107</b>                  SPN Mat. 82</p>


**Lot 52B**

<p><b>NFS 140201</b>                  SPN Mat. 108                  AFC 24                  ICP 431                  RI 112                  Age/Calv. 6/4                  Avg. WI/Calf 109/2</p>	<p><b>FCT 120053</b>                  SPN Mat. 85</p> 	<p><b>ZVJ 100011</b>                  SPN Mat. 120                  Age/Calv. 10/8                  Avg. WI/Calf 103/8</p>	<p><b>FCT 080201</b>                  SPN Mat. 110</p> <p><b>FCT 080094</b>                  AFC 35                  ICP 370                  SPN Mat. 83                  Age/Calv. 7/5                  Avg. WI/Calf 101/3</p> <p><b>AG 060139</b>                  SPN Mat. 100</p> <p><b>HJS 020234</b>                  AFC 31                  ICP 448                  SPN Mat. 131                  Age/Calv. 9/6                  Avg. WI/Calf 106/6</p>	<p><b>WAT 050342</b>                  SPN Mat. 91  <b>EI 010452</b>                  SPN Mat. 155  <b>FCT 050127</b>                  SPN Mat. 74  <b>FCT 990098</b>                  SPN Mat. 90  <b>AG 030205</b>                  SPN Mat. 84  <b>AG 980128</b>                  SPN Mat. 106  <b>AVZ 970028</b>                  SPN Mat. 125  <b>HJS 000014</b>                  SPN Mat. 88</p>

**Lot 53A**

<p><b>NFS 140073</b>                  SPN Mat. 99                  AFC 29                  ICP 441                  RI 105                  Age/Calv. 6/4                  Avg. WI/Calf 104/2</p>	<p><b>NFS 110101</b>                  SPN Mat. 100                  Silver</p> 	<p><b>NFS 100139</b>                  SPN Mat. 80                  Age/Calv. 6/4                  Avg. WI/Calf 98/4</p>	<p><b>NFS 080032</b>                  SPN Mat. 119                  Gold</p> <p><b>NFS 000257</b>                  AFC 31                  ICP 378                  SPN Mat. 108                  Age/Calv. 14/12                  Avg. WI/Calf 98/12</p> <p><b>NFS 050252</b>                  SPN Mat. 82                  Gold</p> <p><b>NFS 080249</b>                  AFC 22                  ICP 397                  SPN Mat. 78                  Age/Calv. 9/8                  Avg. WI/Calf 93/8</p>	<p><b>NFS 050325</b>                  SPN Mat. 122  <b>NFS 060055</b>                  SPN Mat. 139  <b>NFS 960350</b>                  SPN Mat. 117  <b>NFS 960197</b>                  SPN Mat. 109  <b>FCT 000188</b>                  SPN Mat. 70  <b>NFS 000030</b>                  SPN Mat. 111  <b>ZAK 030082</b>                  SPN Mat. 65  <b>NFS 030263</b>                  SPN Mat. 121</p>




**Lot 53B**

<p><b>NFS 140195</b>                  SPN Mat. 91                  AFC 26                  ICP 413                  RI 113                  Age/Calv. 6/4                  Avg. WI/Calf 105/3</p>	<p><b>DKN 090345</b>                  SPN Mat. 74</p> 	<p><b>NFS 120043</b>                  SPN Mat. 113                  Age/Calv. 2/1                  Avg. WI/Calf 111/1</p>	<p><b>GJN 030098</b>                  SPN Mat. 58                  Bronze                  Elite-Gold</p> <p><b>DKN 040054</b>                  AFC 38                  ICP 413                  SPN Mat. 110                  Age/Calv. 10/7                  Avg. WI/Calf 103/7</p> <p><b>NFS 060243</b>                  SPN Mat. 136                  Gold</p> <p><b>NFS 040123</b>                  AFC 31                  ICP 458                  SPN Mat. 79                  Age/Calv. 8/5                  Avg. WI/Calf 96/5</p>	<p><b>RCO 980082</b>                  SPN Mat. 63  <b>GJN 990013</b>                  SPN Mat. 91  <b>RGR 960095</b>                  SPN Mat. 96  <b>DKN 990053</b>                  SPN Mat. 114  <b>AG 020338</b>                  SPN Mat. 111  <b>T 030046</b>                  SPN Mat. 151  <b>FCT 960024</b>                  SPN Mat. 83  <b>T 000046</b>                  SPN Mat. 64</p>

## VROULIKE DIERE




Lot	Verkoper	ID POENA Gen	OUERS		Toets Genomies Getoets DNS Geb. dat.	DIREKTE KALF EIENSKAPPE					DOGTER EIENSKAPPE			GROEI		DOEL	REP	MATES			V:	KALF AAN HOEF	Kalf ID	Gebruiker Eie Opmerkings
			VADER GV OV	MOEDER GV OV		Geb Dir Akk	Speen Dir Akk	Geb Mat Akk	Speen Mat Akk	Volw Gew Akk	Naspeen Akk	GDT Akk	VOV Akk	SO Akk	Hgt Akk	Lgt Akk	Nageslag Geboorte- gewig	Nageslag Speengewig	Gemak van Kalwing	Melk prod.	Volwas- se Gewig			
<b>Koeie met Kalwers</b>																								
54 A	SERNICK BONSMARA STOET	NFS 140003 SP	JMP 100106	NS365	<b>97</b>	<b>106</b>	<b>104</b>	<b>118</b>	<b>119</b>	<b>119</b>	<b>128</b>	<b>123</b>	<b>104</b>	<b>113</b>	<b>111</b>	-	BONNFNS 200010	30.03.20 (32) BONMCEF 130317	42.7					
					1.33	15.8	-0.35	8.9	30.0	34.8	227	-94	12.5	12	30	6.6								
			NFS 110160	23.03.14	31																			
<b>Dragtige Koeie</b>																								
54 B	SERNICK BONSMARA STOET	NFS 140183 SP	LAR 070037	NS540	<b>99</b>	<b>102</b>	<b>97</b>	<b>99</b>	<b>108</b>	<b>103</b>	<b>109</b>	<b>101</b>	<b>97</b>	<b>102</b>	<b>101</b>	-	340	7-9 Mnde dragtig van HDT 16-077 (01/07/19-09/09/19)	41.8	3				
					1.14	14.2	-0.06	3.5	18.0	23.6	137	-49	7.5	3	15	5.57								
			NFS 060173	25.09.14	32																			
<b>Koeie met Kalwers</b>																								
55 A	SERNICK BONSMARA STOET	NFS 140084 SP	FDS 100119	NS365	<b>106</b>	<b>104</b>	<b>104</b>	<b>91</b>	<b>99</b>	<b>105</b>	<b>107</b>	<b>109</b>	<b>107</b>	<b>94</b>	<b>102</b>	-	BONMFNS 200141	01.05.20 (32) BONMAG 140095	35.4					
					0.37	15.2	-0.36	1.4	9.0	25.3	131	-65	15.2	-4	17	4.72								
			NFS 110054	26.04.14	30																			
55 B	SERNICK BONSMARA STOET	NFS 140090 SP	NFS 110101	NS365	<b>111</b>	<b>99</b>	<b>105</b>	<b>77</b>	<b>108</b>	<b>105</b>	<b>91</b>	<b>100</b>	<b>86</b>	<b>91</b>	<b>93</b>	-	BONNFNS 200015	04.04.20 (30) BONMLAR 140064	39.6					
					-0.10	12.7	-0.43	-2.6	18.0	25.0	56	-47	-1.8	-6	5	5.66								
			NFS 110006	27.04.14	30																			
56 A	SERNICK BONSMARA STOET	NFS 140075 SP	NFS 110145	NS365	<b>93</b>	<b>119</b>	<b>93</b>	<b>90</b>	<b>99</b>	<b>118</b>	<b>104</b>	<b>106</b>	<b>92</b>	<b>109</b>	<b>107</b>	-	BONNFNS 200138	01.05.20 (38) BONMLAR 150117	43.7					
					1.80	21.9	0.14	1.0	9.0	34.3	116	-59	3.2	9	24	6.67								
			NFS 060102	23.04.14	42																			
56 B	SERNICK BONSMARA STOET	NFS 140219 SP	FCT 120053	NS540	<b>95</b>	<b>122</b>	<b>130</b>	<b>96</b>	<b>109</b>	<b>113</b>	<b>130</b>	<b>117</b>	<b>115</b>	<b>118</b>	<b>118</b>	-	BONMFNS 200025	06.04.20 (37) BONMCEF 140311	47.4					
					1.50	23.3	-1.54	2.6	20.0	30.8	237	-82	21.3	17	40	5.77								
			ZVJ 100073	03.10.14	30																			

### Lot 54A




<p><b>NFS 140003</b> SPN Mat. 118 OEK 25 TKP 361 RI 120 Oud/Kalw. 6/5 Gem. Si/Kalf 106/4</p>		<p><b>JMP 100106</b> SPN Mat. 117 Goud</p>		<p><b>JMP 050276</b> SPN Mat. 81 Goud</p> <p><b>JMP 030043</b> OEK 29      SPN Mat. 105 TKP 410      Oud/Kalw. 9/7 Gem. Si/Kalf 99/6</p> <p><b>NFS 060243</b> SPN Mat. 136 Goud</p> <p><b>NFS 080207</b> OEK 25      SPN Mat. 76 TKP 340      Oud/Kalw. 3/2 Gem. Si/Kalf 93/2</p>		<p><b>MNE 010013</b> SPN Mat. 75 <b>JMP 960137</b> SPN Mat. 115 <b>AG 950284</b> SPN Mat. 58 <b>JMP 980052</b> SPN Mat. 125 <b>AG 020338</b> SPN Mat. 111 <b>T 030046</b> SPN Mat. 151 <b>ZAK 030082</b> SPN Mat. 65 <b>NFS 040031</b> SPN Mat. 101</p>
--	---	--	---	---	---	---

### Lot 54B



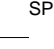
7-9 Mnde dragtig van HDT 16-077 (01/07/19-09/09/19)

<p><b>NFS 140183</b> SPN Mat. 99 OEK 25 TKP 478 RI 108 Oud/Kalw. 5/3 Gem. Si/Kalf 97/3</p>		<p><b>LAR 070037</b> SPN Mat. 98</p> <p><b>NFS 060173</b> OEK 28      SPN Mat. 123 TKP 364      Oud/Kalw. 12/11 RI 116      Gem. Si/Kalf 103/10</p>		<p><b>BG 040088</b> SPN Mat. 112</p> <p><b>LAR 040240</b> OEK *      SPN Mat. 102 TKP 608      Oud/Kalw. */8 Gem. Si/Kalf 100/6</p> <p><b>ZAK 030013</b> SPN Mat. 94</p> <p><b>NFS 940381</b> OEK 29      SPN Mat. 114 TKP 400      Oud/Kalw. 14/12 Gem. Si/Kalf 106/10</p>		<p><b>BG 020058</b> SPN Mat. 116 <b>BG 000021</b> SPN Mat. 100 <b>AG 000257</b> SPN Mat. 103 <b>LAR 990240</b> SPN Mat. 84 <b>AG 960059</b> SPN Mat. 110 <b>ZAK 980049</b> SPN Mat. 104 <b>AG 900088</b> SPN Mat. 76 <b>NFS 910305</b> SPN Mat. 84</p>
--	---	---	---	---	---	--



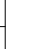
### Lot 55A

<p><b>NFS 140084</b> SPN Mat. 91 OEK 24 TKP 370 RI 120 Oud/Kalw. 6/5 Gem. Si/Kalf 102/4</p>		<p><b>FDS 100119</b> SPN Mat. 85</p> <p><b>NFS 110054</b> OEK 25      SPN Mat. 88 TKP 361      Oud/Kalw. 8/7 RI 119      Gem. Si/Kalf 96/6</p>		<p><b>BEI 060124</b> SPN Mat. 78</p> <p>Elite-Silwer <b>FDS 070024</b> OEK 30      SPN Mat. 94 TKP 367      Oud/Kalw. 8/6 Gem. Si/Kalf 96/6</p> <p><b>NFS 050252</b> SPN Mat. 82 Goud</p> <p><b>NFS 090009</b> OEK 25      SPN Mat. 105 TKP 412      Oud/Kalw. 7/5 Gem. Si/Kalf 103/5</p>		<p><b>JJF 930050</b> SPN Mat. 63 <b>BEI 000006</b> SPN Mat. 73 <b>NFS 010276</b> SPN Mat. 71 <b>FDS 990025</b> SPN Mat. 124 <b>FCT 000188</b> SPN Mat. 70 <b>NFS 000030</b> SPN Mat. 111 <b>NFS 060281 P</b> SPN Mat. 115 <b>NFS 070057</b> SPN Mat. 83</p>
---	---	--	---	---	---	---




### Lot 55B

<p><b>NFS 140090</b> SPN Mat. 77 OEK 24 TKP 358 RI 121 Oud/Kalw. 6/5 Gem. Si/Kalf 93/3</p>		<p><b>NFS 110101</b> SPN Mat. 100 Silver</p> <p><b>NFS 110006</b> OEK 25      SPN Mat. 76 TKP 362      Oud/Kalw. 9/8 RI 119      Gem. Si/Kalf 97/8</p>		<p><b>NFS 080032</b> SPN Mat. 119 Goud</p> <p><b>NFS 000257</b> OEK 31      SPN Mat. 108 TKP 378      Oud/Kalw. 14/12 Gem. Si/Kalf 98/12</p> <p><b>NFS 050252</b> SPN Mat. 82 Goud Elite-Silwer</p> <p><b>NFS 090006</b> OEK 24      SPN Mat. 94 TKP 390      Oud/Kalw. 9/8 Gem. Si/Kalf 94/8</p>		<p><b>NFS 050325</b> SPN Mat. 122 <b>NFS 060055</b> SPN Mat. 139 <b>NFS 960350</b> SPN Mat. 117 <b>NFS 960197</b> SPN Mat. 109 <b>FCT 000188</b> SPN Mat. 70 <b>NFS 000030</b> SPN Mat. 111 <b>NFS 060039</b> SPN Mat. 114 <b>NFS 050175</b> SPN Mat. 81</p>
--	---	--	---	---	---	--

### Lot 56A

<p><b>NFS 140075</b> SPN Mat. 90 OEK 24 TKP 493 RI 105 Oud/Kalw. 6/4 Gem. Si/Kalf 98/3</p>		<p><b>NFS 110145</b> SPN Mat. 102</p> <p><b>NFS 060102</b> OEK 25      SPN Mat. 101 TKP 419      Oud/Kalw. 14/11 RI 108      Gem. Si/Kalf 97/10</p>		<p><b>NFS 070163</b> SPN Mat. 84 Silver</p> <p>Elite-Brons <b>NFS 040179</b> OEK 30      SPN Mat. 125 TKP 403      Oud/Kalw. 8/6 Gem. Si/Kalf 99/6</p> <p><b>KAN 010078</b> SPN Mat. 87</p> <p>Elite-Goud <b>NFS 010064</b> OEK 30      SPN Mat. 111 TKP 384      Oud/Kalw. 14/12 Gem. Si/Kalf 96/11</p>		<p><b>ZAK 030082</b> SPN Mat. 65 <b>T 000089</b> SPN Mat. 89 <b>FCT 990022</b> SPN Mat. 121 <b>NFS 990033</b> SPN Mat. 102 <b>KAN 980080</b> SPN Mat. 104 <b>KAN 970041</b> SPN Mat. 104 <b>NFS 960350</b> SPN Mat. 117 <b>NFS 940381</b> SPN Mat. 114</p>
--	---	---	---	--	---	--

### Lot 56B

<p><b>NFS 140219</b> SPN Mat. 96 OEK 30 TKP 366 RI 113 Oud/Kalw. 6/4 Gem. Si/Kalf 103/3</p>		<p><b>FCT 120053</b> SPN Mat. 85</p> <p><b>ZVJ 100073</b> OEK 31      SPN Mat. 109 TKP 457      Oud/Kalw. 5/3 RI 100      Gem. Si/Kalf 100/3</p>		<p><b>FCT 080201</b> SPN Mat. 110</p> <p><b>FCT 080094</b> OEK 35      SPN Mat. 83 TKP 370      Oud/Kalw. 7/5 Gem. Si/Kalf 101/3</p> <p><b>BEI 070107</b> SPN Mat. 122</p> <p><b>HJS 030154</b> OEK 29      SPN Mat. 116 TKP 420      Oud/Kalw. 10/8 Gem. Si/Kalf 103/7</p>		<p><b>WAT 050342</b> SPN Mat. 91 <b>EI 010452</b> SPN Mat. 155 <b>FCT 050127</b> SPN Mat. 74 <b>FCT 990098</b> SPN Mat. 90 <b>BEI 020134</b> SPN Mat. 88 <b>BEI 040046</b> SPN Mat. 102 <b>HJS 970048</b> SPN Mat. 115 <b>HJS 980125</b> SPN Mat. 133</p>
---	---	--	---	---	---	---



## FEMALE ANIMALS

Lot	Seller	ID	PARENTS	Test	Breeding Value Indexes										R:	Calf ID	Breeder Own Remarks					
					DIRECT CALF TRAITS		DAUGHTER TRAITS			GROWTH		EFF.	REP	MEASUREMENTS								
		POLLED		Gen		SIRE	PV	Genomic Tested	Birth Dir	Wean Dir	Birth Mat	Wean Mat	Mat Wgt	Post Wean	ADG	FCR	SC	Hgt	Lgt	LHR	Birth Date (Weight)	
						DAM	PV	DNA	Acc	Acc	Acc	Acc	Acc	Acc	Acc	Acc	Acc	Acc	Acc	WWR	Sire	
						GV	PV	Birth Date	Wgt kg	Wgt kg	Ind	kg	kg	kg	365dM	540dInd	Ind	Ind	(mm)	(mm)	(mm)	GT / POLLED

### Cows with Calves

57 A	SERNICK BONSMARA STOET	NFS 140110	FCT 120035	PW365	<b>101</b>	<b>97</b>	<b>113</b>	<b>115</b>	<b>89</b>	<b>97</b>	<b>104</b>	<b>109</b>	<b>107</b>	<b>87</b>	<b>97</b>	-	BONFNFS 200058
			<input checked="" type="checkbox"/>		0.89	12.0	-0.77	7.9	-2.0	19.5	113	-64	15.5	-9	10	6.6	14.04.20 (37)
			SSK 060043	DNA	83	69	74	74	60	55	55	57	60	61	59		BONMHDT 160077
				03.05.14	33											43.3	
57 B	SERNICK BONSMARA STOET	NFS 140159	FCT 120017	PW365	<b>101</b>	<b>98</b>	<b>90</b>	<b>95</b>	<b>96</b>	<b>100</b>	<b>102</b>	<b>104</b>	<b>105</b>	<b>96</b>	<b>98</b>	-	BONMNFS 200171
			<input checked="" type="checkbox"/>		0.94	12.3	0.27	2.4	5.0	21.6	105	-54	14.0	-2	12	5.45	07.05.20 (43)
			ZVJ 100082	DNA	82	77	71	73	69	60	51	53	57	58	56		BONMNFS 160243
				10.06.14	30											41	

### Pregnant Cows

58 A	SERNICK BONSMARA STOET	NFS 140314	JMP 100228	PW540	<b>107</b>	<b>95</b>	<b>95</b>	<b>88</b>	<b>70</b>	<b>92</b>	<b>85</b>	<b>98</b>	<b>95</b>	<b>84</b>	<b>85</b>	-	371	
					0.25	11.0	0.05	0.6	-23.0	16.2	28	-43	5.9	-11	-7	9.06	5.5	7-9 Mnde dragtig van AG 14-095 (01/07/19-09/09/19)
			NFS 120305		79	75	66	72	67	65	52	56	57	58	56		60.7	3
				16.11.14	29													

### Cows with Calves

58 B	SERNICK BONSMARA STOET	NFS 140365	FCT 120053	PW540	<b>104</b>	<b>105</b>	<b>115</b>	<b>82</b>	<b>85</b>	<b>108</b>	<b>100</b>	<b>98</b>	<b>109</b>	<b>96</b>	<b>102</b>	-	BONMNFS 200176
			<input checked="" type="checkbox"/>		0.59	15.6	-0.86	-1.2	-7.0	27.3	97	-43	17.2	-2	16	7.84	09.05.20 (30)
			ZVJ 110081	DNA	81	76	70	71	65	70	54	52	55	55	55		BONMAG 140095
				07.12.14	29											57.9	
59 A	SERNICK BONSMARA STOET	NFS 140008	NFS 080032	PW365	<b>118</b>	<b>96</b>	<b>122</b>	<b>102</b>	<b>105</b>	<b>102</b>	<b>101</b>	<b>113</b>	<b>89</b>	<b>97</b>	<b>100</b>	-	BONFNFS 200024
					-0.89	11.3	-1.21	4.3	16.0	23.3	102	-73	0.8	-1	14	5.49	06.04.20 (22)
			NFS 100129		81	76	74	75	73	66	62	64	66	67	65		BONMEHE 160585
				28.03.14	28											42	
59 B	SERNICK BONSMARA STOET	NFS 140158	FCT 120035	PW365	<b>111</b>	<b>93</b>	<b>97</b>	<b>108</b>	<b>91</b>	<b>95</b>	<b>103</b>	<b>103</b>	<b>106</b>	<b>89</b>	<b>98</b>	-	BONFNFS 200144
			<input checked="" type="checkbox"/>		-0.10	10.2	-0.06	6.0	0.0	18.4	110	-52	14.1	-8	11	4.92	02.05.20 (35)
			HJS 050360	DNA	83	79	74	77	66	60	55	57	61	61	60		BONMHDT 160077
				03.06.14	32											38.1	

**Lot 57A**

**NFS 140110**  
 SPN Mat. 115  
 AFC 23  
 ICP 365  
 RI 121  
 Age/Calv. 6/5  
 Avg. WI/Calf 103/3

**FCT 120035**  
 SPN Mat. 100

**SSK 060043**

**FCT 090080**  
 SPN Mat. 104

**FCT 090202**  
 AFC 29 SPN Mat. 85  
 ICP 615 Age/Calv. 9/5  
 Avg. WI/Calf 83/4

**BHE 010114**  
 SPN Mat. 80

**SSK 010016**  
 AFC 33 SPN Mat. 116  
 ICP 400 Age/Calv. 10/8  
 Avg. WI/Calf 107/7

**LAR 030376**  
 SPN Mat. 111  
**FCT 050163**  
 SPN Mat. 102  
**FCT 070121**  
 SPN Mat. 76  
**FCT 040144**  
 SPN Mat. 106  
**AG J 0008**  
 SPN Mat. 88  
**BHE 950143**  
 SPN Mat. 116  
**CNB 950184**  
 SPN Mat. 113  
**SSK 980015**  
 SPN Mat. 108

**Lot 57B**

**NFS 140159**  
 SPN Mat. 95  
 AFC 29  
 ICP 428  
 RI 107  
 Age/Calv. 6/4  
 Avg. WI/Calf 93/3

**FCT 120017**  
 SPN Mat. 109

Elite-Silver  
**ZVJ 100082**

**FCT 080118**  
 SPN Mat. 94

**FCT 090179**  
 AFC 29 SPN Mat. 136  
 ICP 406 Age/Calv. 9/7  
 Avg. WI/Calf 115/7

**PHR 070200**  
 SPN Mat. 132

**MRW 030042**  
 AFC 31 SPN Mat. 90  
 ICP 362 Age/Calv. 10/8  
 Avg. WI/Calf 105/6

**FCT 050041**  
 SPN Mat. 97  
**FCT 050072**  
 SPN Mat. 98  
**FCT 050041**  
 SPN Mat. 97  
**FCT 060010**  
 SPN Mat. 117  
**PHR 030036**  
 SPN Mat. 117  
**PHR 030097**  
 SPN Mat. 112  
**GBS 980034**  
 SPN Mat. 90  
**MRW 970084**  
 SPN Mat. 78

**Lot 58A** 7-9 Mnde dragtig van AG 14-095 (01/07/19-09/09/19)

**NFS 140314**  
 SPN Mat. 88  
 AFC 29  
 ICP 386  
 RI 112  
 Age/Calv. 4/3  
 Avg. WI/Calf 98/3

**JMP 100228**  
 SPN Mat. 86  
 Bronze

**NFS 120305**  
 AFC 25 SPN Mat. 94  
 ICP Age/Calv. 2/1  
 RI 125 Avg. WI/Calf 108/1

**JMP 060278**  
 SPN Mat. 86  
 Gold

**JMP 060079**  
 AFC 30 SPN Mat. 95  
 ICP 365 Age/Calv. 7/5  
 Avg. WI/Calf 99/5

**NFS 070163**  
 SPN Mat. 84  
 Silver

**JMP 080397**  
 AFC 31 SPN Mat. 92  
 ICP 493 Age/Calv. 4/2  
 Avg. WI/Calf 94/1

**JMP 030268**  
 SPN Mat. 86  
**JMP 040101**  
 SPN Mat. 100  
**JMP 030268**  
 SPN Mat. 86  
**JMP 040028**  
 SPN Mat. 109  
**ZAK 030082**  
 SPN Mat. 65  
**T 000089**  
 SPN Mat. 89  
**JMP 050311**  
 SPN Mat. 79  
**JMP 060371**  
 SPN Mat. 67

**Lot 58B**

**NFS 140365**  
 SPN Mat. 82  
 AFC 28  
 ICP 561  
 RI 94  
 Age/Calv. 5/3  
 Avg. WI/Calf 97/2

**FCT 120053**  
 SPN Mat. 85

**ZVJ 110081**  
 AFC 25 SPN Mat. 86  
 ICP 435 Age/Calv. 3/2  
 RI 117 Avg. WI/Calf 94/2

**FCT 080201**  
 SPN Mat. 110

**FCT 080094**  
 AFC 35 SPN Mat. 83  
 ICP 370 Age/Calv. 7/5  
 Avg. WI/Calf 101/3

**AG 060481**  
 SPN Mat. 91

**MRW 000335**  
 AFC 39 SPN Mat. 94  
 ICP 405 Age/Calv. 13/10  
 Avg. WI/Calf 96/8

**WAT 050342**  
 SPN Mat. 91  
**EI 010452**  
 SPN Mat. 155  
**FCT 050127**  
 SPN Mat. 74  
**FCT 990098**  
 SPN Mat. 90  
**LAR 010176**  
 SPN Mat. 83  
**AG 970157**  
 SPN Mat. 106  
**MRW 970190**  
 SPN Mat. 109  
**MRW 970089**  
 SPN Mat. 91

**Lot 59A**

**NFS 140008**  
 SPN Mat. 102  
 AFC 30  
 ICP 425  
 RI 105  
 Age/Calv. 6/4  
 Avg. WI/Calf 105/3

**NFS 080032**  
 SPN Mat. 119  
 Gold

**NFS 100129**  
 AFC 31 SPN Mat. 88  
 ICP 343 Age/Calv. 3/2  
 RI 111 Avg. WI/Calf 96/1

**NFS 050325**  
 SPN Mat. 122  
 Gold

**NFS 060055**  
 AFC 26 SPN Mat. 139  
 ICP 387 Age/Calv. 11/9  
 Avg. WI/Calf 103/9

**NFS 070163**  
 SPN Mat. 84  
 Silver

**NFS 060236**  
 AFC 25 SPN Mat. 98  
 ICP 394 Age/Calv. 9/7  
 Avg. WI/Calf 94/6

**FCT 990022**  
 SPN Mat. 121  
**NFS 980299**  
 SPN Mat. 109  
**DFP 000173**  
 SPN Mat. 124  
**NFS 020175**  
 SPN Mat. 116  
**ZAK 030082**  
 SPN Mat. 65  
**T 000089**  
 SPN Mat. 89  
**EI 990287**  
 SPN Mat. 99  
**NFS 030263**  
 SPN Mat. 121

**Lot 59B**

**NFS 140158**  
 SPN Mat. 108  
 AFC 22  
 ICP 371  
 RI 121  
 Age/Calv. 6/5  
 Avg. WI/Calf 98/4

**FCT 120035**  
 SPN Mat. 100

**HJS 050360**  
 AFC 31 SPN Mat. 117  
 ICP 409 Age/Calv. 12/9  
 RI 106 Avg. WI/Calf 104/9

**FCT 090080**  
 SPN Mat. 104

**FCT 090202**  
 AFC 29 SPN Mat. 85  
 ICP 615 Age/Calv. 9/5  
 Avg. WI/Calf 83/4

**BHE 010025**  
 SPN Mat. 85

**HJS 000306**  
 AFC 35 SPN Mat. 93  
 ICP 370 Age/Calv. 14/12  
 Avg. WI/Calf 96/12

**LAR 030376**  
 SPN Mat. 111  
**FCT 050163**  
 SPN Mat. 102  
**FCT 070121**  
 SPN Mat. 76  
**FCT 040144**  
 SPN Mat. 106  
**NPT 910022**  
 SPN Mat. 107  
**BHE 950104**  
 SPN Mat. 110  
**HJS 940030**  
 SPN Mat. 108  
**HJS 960107**  
 SPN Mat. 99

## VROULIKE DIERE


Lot	Verkoper	ID	OUERS	Toets	Teelwaarde indeks												Dae Oop	Gebruiker Eie Opmerkings			
					VADER GV OV	Genomies Getoets	Geb Dir	Speen Dir	Geb Mat	Speen Mat	Volwas- se Gewig	Naspeen		GDT	VOV	SO			Hgt	Lgt	LHV
												Nageslag Geboorte- gewig	Nageslag Speengewig								
POENA	DNS	Akk	Akk	Akk	Akk	Akk	365d Ind	540d Ind	Ind	Ind	(mm)	(mm)	(mm)	SGV	Oud						
Gen	MOEDER GV OV	Geb. dat.	Gew kg	Gew kg	Ind	kg	kg	kg	365d Ind	540d Ind	Ind	Ind	(mm)	(mm)	(mm)	Kalwers					

### Dragtige Koeie


60 A	SERNICK BONSMARA STOET	NFS 140036 SP	LAR 070037	NS365	<b>76</b>	<b>125</b>	<b>82</b>	<b>101</b>	<b>118</b>	<b>119</b>	<b>103</b>	<b>95</b>	<b>113</b>	<b>117</b>	<b>117</b>	-	366	
					3.55	24.5	0.61	4.2	30.0	34.8	110	-35	20.3	15	37		6.1	
			NFS 060435	12.04.14	82	77	75	77	73	68	64	63	67	68	67	5.41	4	
60 B	SERNICK BONSMARA STOET	NFS 140302 SP	CRV 100143	NS365	<b>76</b>	<b>113</b>	<b>87</b>	<b>128</b>	<b>107</b>	<b>121</b>	<b>115</b>	<b>119</b>	<b>99</b>	<b>112</b>	<b>107</b>	-	607	
					3.59	19.2	0.38	11.4	18.0	36.1	165	-85	9.1	11	23		6.1	
			NFS 070265	25.04.14	81	75	69	69	61	60	54	57	59	60	58	6.61	3	
62 A	SERNICK BONSMARA STOET	NFS 140112 SP	DKN 090345	NS365	<b>86</b>	<b>109</b>	<b>104</b>	<b>95</b>	<b>94</b>	<b>109</b>	<b>111</b>	<b>102</b>	<b>107</b>	<b>107</b>	<b>104</b>	-	555	7-9 Mnde dragtig van NFS 17-286 (01/07/19-09/09/19)
					2.49	17.3	-0.36	2.5	3.0	28.1	148	-51	14.9	7	20		6.1	
			NFS 110197	04.05.14	81	77	71	75	72	61	56	57	58	58	58	6.67	3	
62 B	SERNICK BONSMARA STOET	NFS 140359 SP	DKN 090345	NS540	<b>121</b>	<b>103</b>	<b>114</b>	<b>72</b>	<b>79</b>	<b>100</b>	<b>102</b>	<b>97</b>	<b>100</b>	<b>99</b>	<b>97</b>	-	573	7-9 Mnde dragtig van LAR 15-117 (01/07/19-09/09/19)
					-1.20	14.8	-0.85	-3.8	-14.0	21.8	105	-41	9.9	1	11		5.5	
			NFS 120080	28.11.14	78	74	64	69	65	66	56	59	60	60	59	6.76	2	
63 A	SERNICK BONSMARA STOET	NFS 140052 SP	NFS 110101	NS365	<b>110</b>	<b>98</b>	<b>99</b>	<b>100</b>	<b>101</b>	<b>100</b>	<b>101</b>	<b>103</b>	<b>98</b>	<b>97</b>	<b>101</b>	-	382	7-9 Mnde dragtig van HDT 16-077 (01/07/19-09/09/19)
					-0.03	12.6	-0.13	3.8	11.0	21.6	103	-52	8.4	-1	15		6.1	
			NFS 090124	16.04.14	82	79	74	78	71	62	63	66	68	68	67	5.79	4	
63 B	SERNICK BONSMARA STOET	NFS 140085 SP	CRV 100143	NS365	<b>86</b>	<b>101</b>	<b>88</b>	<b>130</b>	<b>111</b>	<b>105</b>	<b>108</b>	<b>115</b>	<b>102</b>	<b>102</b>	<b>101</b>	-	343	7-9 Mnde dragtig van HDT 16-077 (01/07/19-09/09/19)
					2.50	13.8	0.35	12.0	22.0	25.1	131	-78	11.0	3	16		6.1	
			NFS 030252	26.04.14	82	77	72	74	62	61	55	59	60	61	59	5.29	4	



### Lot 60A


<p><b>NFS 140036</b> SPN Mat. 101 OEK 24 TKP 374 RI 119 Oud/Kalw. 5/4 Gem. SI/Kalf 104/3</p>		<p><b>LAR 070037</b> SPN Mat. 98</p>	<p><b>BG 040088</b> SPN Mat. 112</p> <p><b>LAR 040240</b> OEK * TKP 608 SPN Mat. 102 Oud/Kalw. */8 Gem. SI/Kalf 100/6</p> <p><b>DFP 000173</b> SPN Mat. 124</p> <p><b>T 010057</b> OEK 36 TKP 451 SPN Mat. 105 Oud/Kalw. 14/10 Gem. SI/Kalf 100/9</p>	<p><b>BG 020058</b> SPN Mat. 116 <b>BG 000021</b> SPN Mat. 100 <b>AG 000257</b> SPN Mat. 103 <b>LAR 990240</b> SPN Mat. 84 <b>RCO 960159</b> SPN Mat. 92 <b>GV 950095</b> SPN Mat. 117 <b>FCT 960024</b> SPN Mat. 83 <b>T 960052</b> SPN Mat. 140</p>
--	---	--	---	---

### Lot 60B

<p><b>NFS 140302</b> SPN Mat. 128 OEK 29 TKP 371 RI 114 Oud/Kalw. 4/3 Gem. SI/Kalf 106/2</p>		<p><b>CRV 100143</b> SPN Mat. 123 Goud</p>	<p><b>ZAK 050115</b> SPN Mat. 109</p> <p>Elite-Goud</p> <p><b>VV 060125</b> OEK 28 TKP 372 SPN Mat. 150 Oud/Kalw. 14/12 Gem. SI/Kalf 108/10</p> <p><b>AEJ 020067</b> SPN Mat. 94</p> <p><b>T 010048</b> OEK 37 TKP 358 SPN Mat. 103 Oud/Kalw. 6/4 Gem. SI/Kalf 100/4</p>	<p><b>VV 020258</b> SPN Mat. 99 <b>ZAK 980059</b> SPN Mat. 105 <b>VV 030016</b> SPN Mat. 123 <b>VV 960119</b> SPN Mat. 140 <b>AEJ 970106</b> SPN Mat. 69 <b>AEJ 960026</b> SPN Mat. 142 <b>T 970060</b> SPN Mat. 94 <b>T 960066</b> SPN Mat. 125</p>
--	---	--	--	--


### Lot 62A

7-9 Mnde dragtig van NFS 17-286 (01/07/19-09/09/19)

<p><b>NFS 140112</b> SPN Mat. 95 OEK 29 TKP 387 RI 112 Oud/Kalw. 5/3 Gem. SI/Kalf 98/3</p>		<p><b>DKN 090345</b> SPN Mat. 74</p>	<p><b>RCO 980082</b> SPN Mat. 63 <b>GJN 990013</b> SPN Mat. 91 <b>RGR 960095</b> SPN Mat. 96 <b>DKN 990053</b> SPN Mat. 114 <b>AG 020338</b> SPN Mat. 111 <b>T 030046</b> SPN Mat. 151 <b>NFS 940157</b> SPN Mat. 72 <b>NFS 960137</b> SPN Mat. 127</p>
--	---	--	---


### Lot 62B

7-9 Mnde dragtig van LAR 15-117 (01/07/19-09/09/19)

<p><b>NFS 140359</b> SPN Mat. 72 OEK 34 TKP 382 RI 101 Oud/Kalw. 4/2 Gem. SI/Kalf 98/2</p>		<p><b>DKN 090345</b> SPN Mat. 74</p>	<p><b>RCO 980082</b> SPN Mat. 63 <b>GJN 990013</b> SPN Mat. 91 <b>RGR 960095</b> SPN Mat. 96 <b>DKN 990053</b> SPN Mat. 114 <b>ZAK 030082</b> SPN Mat. 65 <b>NFS 070057</b> SPN Mat. 83 <b>NFS 070163</b> SPN Mat. 84 <b>NFS 050248</b> SPN Mat. 124</p>
--	---	--	--


### Lot 63A

7-9 Mnde dragtig van HDT 16-077 (01/07/19-09/09/19)

<p><b>NFS 140052</b> SPN Mat. 100 OEK 26 TKP 351 RI 120 Oud/Kalw. 5/4 Gem. SI/Kalf 103/4</p>		<p><b>NFS 110101</b> SPN Mat. 100 Silver</p>	<p><b>NFS 080032</b> SPN Mat. 119 Goud</p> <p><b>NFS 000257</b> OEK 31 TKP 378 SPN Mat. 108 Oud/Kalw. 14/12 Gem. SI/Kalf 98/12</p> <p><b>NFS 060039</b> SPN Mat. 114 Brons</p> <p><b>NFS 070061</b> OEK 29 TKP 361 SPN Mat. 101 Oud/Kalw. 12/11 Gem. SI/Kalf 99/9</p>	<p><b>NFS 050325</b> SPN Mat. 122 <b>NFS 060055</b> SPN Mat. 139 <b>NFS 960350</b> SPN Mat. 117 <b>NFS 960197</b> SPN Mat. 109 <b>KAN 010078</b> SPN Mat. 87 <b>NFS 030052</b> SPN Mat. 134 <b>AG 030214</b> SPN Mat. 97 <b>NFS 010265</b> SPN Mat. 102</p>
--	---	--	---	---

### Lot 63B

7-9 Mnde dragtig van HDT 16-077 (01/07/19-09/09/19)

<p><b>NFS 140085</b> SPN Mat. 130 OEK 24 TKP 380 RI 119 Oud/Kalw. 5/4 Gem. SI/Kalf 100/3</p>		<p><b>CRV 100143</b> SPN Mat. 123 Goud</p>	<p><b>ZAK 050115</b> SPN Mat. 109</p> <p>Elite-Goud</p> <p><b>VV 060125</b> OEK 28 TKP 372 SPN Mat. 150 Oud/Kalw. 14/12 Gem. SI/Kalf 108/10</p> <p><b>NFS 970026</b> SPN Mat. 117</p> <p><b>NFS 990329</b> OEK 37 TKP 379 SPN Mat. 148 Oud/Kalw. 11/9 Gem. SI/Kalf 108/9</p>	<p><b>VV 020258</b> SPN Mat. 99 <b>ZAK 980059</b> SPN Mat. 105 <b>VV 030016</b> SPN Mat. 123 <b>VV 960119</b> SPN Mat. 140 <b>NFS 910007</b> SPN Mat. 96 <b>NFS 940219</b> SPN Mat. 123 <b>NFS 950049</b> SPN Mat. 98 <b>NFS 930269</b> SPN Mat. 135</p>
--	---	--	--	--

## FEMALE ANIMALS

Lot	Seller	ID POLLED Gen	PARENTS		Test Genomic Tested DNA Birth Date	Breeding Value Indexes					GROWTH					EFF.	REP	MEASURE-MENTS			R:	Days Open	Breeder Own Remarks		
			SIRE GV PV	DAM GV PV		Birth Dir Acc	Wean Dir Acc	Birth Mat Acc	Wean Mat Acc	Mat Wgt Acc	Post Wean Acc	ADG Acc	FCR Acc	SC Acc	Hgt Acc			Lgt Acc	LHR	BWR				WWR	Age
			Progeny Birth Weight	Progeny Wean Weight		Ease of Calving	Milk prod.	Mature Weight	Post Wean Weight	Daily Gain	Feed Conv	Height & Length	Calves												

### Pregnant Cows


64 A	SERNICK BONSMARA STOET	NFS 140304 SP	CRV 100143	PW365	<b>99</b>	<b>109</b>	<b>114</b>	<b>102</b>	<b>89</b>	<b>105</b>	<b>103</b>	<b>107</b>	<b>100</b>	<b>106</b>	<b>101</b>	-	399	7-9 Mnde dragtig van AG 14-095 (01/07/19-09/09/19)
			NFS 080167		1.09	17.3	-0.82	4.5	-2.0	25.2	108	-61	9.7	6	16	5.08	6.1	
				02.05.14	30												37.6	
64 B	SERNICK BONSMARA STOET	NFS 140392 SP	JMP 100228	PW540	<b>92</b>	<b>106</b>	<b>104</b>	<b>116</b>	<b>93</b>	<b>105</b>	<b>93</b>	<b>95</b>	<b>98</b>	<b>96</b>	<b>99</b>	-	355	
			NFS 120133		1.89	16.2	-0.36	8.3	2.0	25.5	66	-35	7.9	-2	12	7.32	5.4	
				14.12.14	30												55.3	

### Cows with Calves


65 A	SERNICK BONSMARA STOET	NFS 170112 SP	NFS 140151	PW365	<b>92</b>	<b>110</b>	<b>107</b>	<b>116</b>	<b>102</b>	<b>110</b>	<b>98</b>	<b>100</b>	<b>110</b>	<b>104</b>	<b>102</b>	-	BONMNFS 200043	
			NFS 120126	DNA	1.92	18.1	-0.52	8.2	12.0	29.0	88	-47	17.9	5	17	4.86	12.04.20 (39)	
				07.05.17	34												40	
65 B	SERNICK BONSMARA STOET	NFS 170122 SP	JRP 120081	PW365	<b>90</b>	<b>122</b>	<b>126</b>	<b>78</b>	<b>117</b>	<b>119</b>	<b>110</b>	<b>111</b>	<b>98</b>	<b>103</b>	<b>108</b>	-	BONFNFS 200042	
			NFS 090061	DNA	2.05	23.2	-1.36	-2.2	28.0	34.9	143	-69	7.8	4	25	4.53	11.04.20 (33)	
				09.05.17	33												36.7	
66 A	SERNICK BONSMARA STOET	NFS 170128 SP	NFS 110101	PW365	<b>91</b>	<b>109</b>	<b>87</b>	<b>99</b>	<b>108</b>	<b>113</b>	<b>106</b>	<b>112</b>	<b>108</b>	<b>110</b>	<b>105</b>	-	BONFNFS 200104	
			HJS 050317	DNA	2.01	17.5	0.40	3.4	19.0	30.9	125	-72	15.9	9	21	5.08	25.04.20 (32)	
				10.05.17	36												35.2	
66 B	SERNICK BONSMARA STOET	NFS 170269 SP	PER 130086	PW365	<b>108</b>	<b>102</b>	<b>125</b>	<b>91</b>	<b>92</b>	<b>101</b>	<b>117</b>	<b>106</b>	<b>107</b>	<b>103</b>	<b>103</b>	-	BONMNFS 200129	
			NFS 150052	DNA	0.21	14.3	-1.33	1.2	1.0	22.6	176	-60	15.3	4	18	7.01	29.04.20 (26)	
				22.09.17	33												45	

1.02	13.3	-0.19	3.8	10	21.7	96	-46	9.6	2	14
------	------	-------	-----	----	------	----	-----	-----	---	----


**Lot 64A** 7-9 Mnde dragtig van AG 14-095 (01/07/19-09/09/19)

<p><b>NFS 140304</b>                  SPN Mat. 102                  AFC 24                  ICP 356                  RI 121                  Age/Calv. 5/4                  Avg. WI/Calf 103/4</p>	<p><b>CRV 100143</b>                  SPN Mat. 123                  Gold</p> 	<p><b>ZAK 050115</b>                  SPN Mat. 109</p> <p>Elite-Gold</p> <p><b>VV 060125</b>                  SPN Mat. 150                  Age/Calv. 14/12                  Avg. WI/Calf 108/10</p> <p><b>RGR 030116</b>                  SPN Mat. 83</p>	<p><b>VV 020258</b>                  SPN Mat. 99  <b>ZAK 980059</b>                  SPN Mat. 105  <b>VV 030016</b>                  SPN Mat. 123  <b>VV 960119</b>                  SPN Mat. 140  <b>RGR 970055</b>                  SPN Mat. 121  <b>RGR 960015</b>                  SPN Mat. 75  <b>DFP 000173</b>                  SPN Mat. 124  <b>T 990116</b>                  SPN Mat. 105</p>


**Lot 64B**

<p><b>NFS 140392</b>                  SPN Mat. 116                  AFC 28                  ICP 389                  RI 113                  Age/Calv. 4/3                  Avg. WI/Calf 107/3</p>	<p><b>JMP 100228</b>                  SPN Mat. 86                  Bronze</p> 	<p><b>JMP 060278</b>                  SPN Mat. 86                  Gold</p> <p><b>JMP 060079</b>                  SPN Mat. 95                  Age/Calv. 7/5                  Avg. WI/Calf 99/5</p> <p><b>NFS 080168</b>                  SPN Mat. 88                  Bronze                  Elite-Gold</p> <p><b>NFS 040068</b>                  SPN Mat. 144                  Age/Calv. 13/11                  Avg. WI/Calf 105/11</p>	<p><b>JMP 030268</b>                  SPN Mat. 86                  SPN Mat. 100  <b>JMP 030268</b>                  SPN Mat. 86  <b>JMP 040028</b>                  SPN Mat. 109  <b>RGR 030116</b>                  SPN Mat. 83  <b>T 030095</b>                  SPN Mat. 117  <b>NFS 960350</b>                  SPN Mat. 117  <b>NFS 000255</b>                  SPN Mat. 131</p>


**Lot 65A**

<p><b>NFS 170112</b>                  SPN Mat. 116                  AFC 35                  ICP                  RI 93                  Age/Calv. 3/1                  Avg. WI/Calf /0</p>	<p><b>NFS 140151</b>                  SPN Mat. 103</p> 	<p><b>NFS 110101</b>                  SPN Mat. 100                  Silver</p> <p><b>JMP 100211</b>                  SPN Mat. 105                  Age/Calv. 4/2                  Avg. WI/Calf 112/2</p> <p><b>NFS 060243</b>                  SPN Mat. 136                  Gold</p> <p><b>NFS 060207</b>                  SPN Mat. 117                  Age/Calv. 6/4                  Avg. WI/Calf 111/4</p>	<p><b>NFS 080032</b>                  SPN Mat. 119  <b>NFS 000257</b>                  SPN Mat. 108  <b>JMP 060140</b>                  SPN Mat. 94  <b>JMP 050140</b>                  SPN Mat. 86  <b>AG 020338</b>                  SPN Mat. 111  <b>T 030046</b>                  SPN Mat. 151  <b>RCO 980053</b>                  SPN Mat. 83  <b>T 020036</b>                  SPN Mat. 107</p>


**Lot 65B**

<p><b>NFS 170122</b>                  SPN Mat. 78                  AFC 35                  ICP                  RI 94                  Age/Calv. 3/1                  Avg. WI/Calf /0</p>	<p><b>JRP 120081</b>                  SPN Mat. 59</p> 	<p><b>LAR 070055</b>                  SPN Mat. 81                  Elite-Gold</p> <p><b>JRP 010030</b>                  SPN Mat. 89                  Age/Calv. 17/15                  Avg. WI/Calf 101/14</p> <p><b>NFS 060001</b>                  SPN Mat. 89                  Silver</p> <p><b>NFS 070037</b>                  SPN Mat. 104                  Age/Calv. 3/2                  Avg. WI/Calf 105/1</p>	<p><b>BG 040088</b>                  SPN Mat. 112  <b>LAR 040160</b>                  SPN Mat. 80  <b>BP 960054</b>                  SPN Mat. 88  <b>HES 930020</b>                  SPN Mat. 75  <b>MNE 010013</b>                  SPN Mat. 75  <b>T 030067</b>                  SPN Mat. 108  <b>MMJ 000174</b>                  SPN Mat. 101  <b>NFS 980299</b>                  SPN Mat. 109</p>

**Lot 66A**

<p><b>NFS 170128</b>                  SPN Mat. 99                  AFC 35                  ICP                  RI 92                  Age/Calv. 3/1                  Avg. WI/Calf /0</p>	<p><b>NFS 110101</b>                  SPN Mat. 100                  Silver</p> 	<p><b>NFS 080032</b>                  SPN Mat. 119                  Gold</p> <p><b>NFS 000257</b>                  SPN Mat. 108                  Age/Calv. 14/12                  Avg. WI/Calf 98/12</p> <p><b>JH 980246</b>                  SPN Mat. 98</p> <p><b>HJS 000014</b>                  SPN Mat. 88                  Age/Calv. 8/6                  Avg. WI/Calf 97/6</p>	<p><b>NFS 050325</b>                  SPN Mat. 122  <b>NFS 060055</b>                  SPN Mat. 139  <b>NFS 960350</b>                  SPN Mat. 117  <b>NFS 960197</b>                  SPN Mat. 109  <b>JH 920313</b>                  SPN Mat. 98  <b>JH 930015</b>                  SPN Mat. 122  <b>HJL 950166</b>                  SPN Mat. 62  <b>HJS 970164</b>                  SPN Mat. 110</p>

**Lot 66B**

<p><b>NFS 170269</b>                  SPN Mat. 91                  AFC 31                  ICP                  RI 105                  Age/Calv. 3/1                  Avg. WI/Calf /0</p>	<p><b>PER 130086</b>                  SPN Mat. 100                  Gold</p> 	<p><b>PHR 100348</b>                  SPN Mat. 127</p> <p><b>PER 100046</b>                  SPN Mat. 75                  Age/Calv. 9/7                  Avg. WI/Calf 99/6</p> <p><b>DKN 090345</b>                  SPN Mat. 74</p> <p>Elite-Bronze</p> <p><b>ZVJ 120115</b>                  SPN Mat. 99                  Age/Calv. 7/6                  Avg. WI/Calf 102/5</p>	<p><b>PHR 060150</b>                  SPN Mat. 118  <b>PHR 060301</b>                  SPN Mat. 117  <b>PER 060117</b>                  SPN Mat. 64  <b>PER 040080</b>                  SPN Mat. 78  <b>GJN 030098</b>                  SPN Mat. 58  <b>DKN 040054</b>                  SPN Mat. 110  <b>MMJ 080153</b>                  SPN Mat. 88  <b>HJS 050331</b>                  SPN Mat. 100</p>

## VROULIKE DIERE

Lot	Verkoper	ID	POENA	Gen	OUERS	Toets	Teelwaarde indekse										Kalf ID	Gebruiker Eie Opmerkings
							DIREKTE KALF EIENSKAPPE		DOGTER EIENSKAPPE			GROEI		DOEL	REP	MATES		
		VADER		Genomies	Geb Dir	Speen Dir	Geb Mat	Speen Mat	Volwas Gew	Naspeen	GDT	VOV	SO	Hgt	Lgt	LHV	Geboorte dat (Gewig)	
		GV	OV	Getoets	Akk	Akk	Akk	Akk	Akk	Akk	Akk	Akk	Akk	Akk	Akk	GGV	Vaar	
		MOEDER		DNS	Akk	Akk	Akk	Akk	Akk	Akk	Akk	Akk	Akk	Akk	Akk	SGV	GT / POLLED	
		GV	OV	Geb. dat.	Gew kg	Gew kg	Ind	kg	kg	kg	365dM	540d Ind	Ind	Ind	(mm)	(mm)	(mm)	


### Koeie met Kalwers

67 A	SERNICK BONSMARA STOET	NFS 170245	CEF 110301	NS365	<b>97</b>	<b>118</b>	<b>103</b>	<b>96</b>	<b>121</b>	<b>118</b>	<b>113</b>	<b>106</b>	<b>111</b>	<b>114</b>	<b>119</b>	-	BONFNFS 200155
			<input checked="" type="checkbox"/>		1.38	21.3	-0.34	2.8	33.0	34.4	159	-59	18.7	13	41	5.48	03.05.20 (34)
			NFS 090071	DNS	79	74	66	63	56	63	57	54	58	59	58	38.4	BONMMCU 140048
				16.09.17	34												
67 B	SERNICK BONSMARA STOET	NFS 170377	NFS 140069	NS365	<b>89</b>	<b>95</b>	<b>103</b>	<b>106</b>	<b>102</b>	<b>91</b>	<b>92</b>	<b>98</b>	<b>113</b>	<b>88</b>	<b>91</b>	-	BONMNFS 200172
			<input checked="" type="checkbox"/>		2.21	11.2	-0.33	5.5	12.0	15.3	59	-41	20.1	-8	2	6.61	07.05.20 (38)
			NFS 140147	DNS	77	71	47	49	45	52	49	51	52	52	51	42	BONMNFS 160291
				14.10.17	31												
68 A	SERNICK BONSMARA STOET	NFS 170352	HDE 110156	NS365	<b>105</b>	<b>100</b>	<b>106</b>	<b>96</b>	<b>110</b>	<b>100</b>	<b>106</b>	<b>103</b>	<b>97</b>	<b>100</b>	<b>104</b>	-	BONFNFS 200055
			<input checked="" type="checkbox"/>		0.46	13.2	-0.48	2.7	21.0	21.7	122	-52	7.5	2	20	6.95	14.04.20 (31)
			HDE 130021	DNS	79	73	57	51	44	60	47	32	50	51	50	39.2	BONMMCU 140048
				08.10.17	31												
68 B	SERNICK BONSMARA STOET	NFS 170379	CEF 110301	NS365	<b>96</b>	<b>125</b>	<b>111</b>	<b>87</b>	<b>116</b>	<b>116</b>	<b>124</b>	<b>111</b>	<b>128</b>	<b>110</b>	<b>119</b>	-	BONMNFS 200012
			<input checked="" type="checkbox"/>		1.46	24.7	-0.69	0.2	28.0	33.0	207	-68	31.7	10	41	6.51	02.04.20 (25)
			HJS 040141	DNS	80	76	66	64	56	65	58	53	59	60	59	43.4	BONMMCU 140048
				15.10.17	35												
69 A	SERNICK BONSMARA STOET	NFS 170060	DAJ 120017	NS365	<b>85</b>	<b>122</b>	<b>89</b>	<b>109</b>	<b>108</b>	<b>120</b>	<b>132</b>	<b>117</b>	<b>112</b>	<b>112</b>	<b>118</b>	-	BONFNFS 200136
			<input checked="" type="checkbox"/>		2.61	23.4	0.31	6.3	18.0	35.3	243	-82	19.3	12	38	5.83	01.05.20 (32)
			NFS 140022	DNS	78	72	59	54	45	56	53	53	56	56	55	50.8	BONMJG 130302
				24.04.17	33												
69 B	SERNICK BONSMARA STOET	NFS 170460	CEF 120418	NS365	<b>92</b>	<b>107</b>	<b>105</b>	<b>66</b>	<b>97</b>	<b>110</b>	<b>95</b>	<b>94</b>	<b>96</b>	<b>95</b>	<b>98</b>	-	BONMNFS 200072
			<input checked="" type="checkbox"/>		1.91	16.5	-0.43	-5.6	7.0	28.9	72	-34	6.7	-2	11	8.19	17.04.20 (34)
			NFS 150194	DNS	77	71	59	54	46	48	52	53	55	55	55	48.2	BONMMCU 140048
				22.11.17	34												

### Lot 67A

**NFS 170245**  
SPN Mat. 96  
OEK 32  
TKP  
RI 104  
Oud/Kalw. 3/1  
Gem. Si/Kalf /0

**CEF 110301**  
SPN Mat. 77



Elite-Brons  
**NFS 090071**

**CEF 080338**  
SPN Mat. 93

**CEF 080218**  
OEK 29 SPN Mat. 94  
TKP 370 Oud/Kalw. 7/6  
Gem. Si/Kalf 103/6

**AG 020338**  
SPN Mat. 111

Elite-Goud  
**NFS 040068**


OEK 30 SPN Mat. 144  
TKP 371 Oud/Kalw. 13/11  
Gem. Si/Kalf 105/11

**VV 040046**  
SPN Mat. 113  
**CEF 020109**  
SPN Mat. 105  
**CEF 060473**  
SPN Mat. 102  
**CEF 030199**  
SPN Mat. 71  
**AG 980338**  
SPN Mat. 87  
**AG 950155**  
SPN Mat. 134  
**NFS 960350**  
SPN Mat. 117  
**NFS 000255**  
SPN Mat. 131

### Lot 67B

**NFS 170377**  
SPN Mat. 106  
OEK 31  
TKP  
RI 107  
Oud/Kalw. 3/1  
Gem. Si/Kalf /0

**NFS 140069**  
SPN Mat. 114



**NFS 140147**

**DKN 090345**  
SPN Mat. 74

**NFS 110091**  
OEK 35 SPN Mat. 134  
TKP 369 Oud/Kalw. 5/3  
Gem. Si/Kalf 103/2

**NFS 110101**  
SPN Mat. 100  
Silver


**NFS 100184**  
OEK 31 SPN Mat. 122  
TKP 367 Oud/Kalw. 9/7  
Gem. Si/Kalf 93/6

**GJN 030098**  
SPN Mat. 58  
**DKN 040054**  
SPN Mat. 110  
**NFS 060243**  
SPN Mat. 136  
**T 030069**  
SPN Mat. 112  
**NFS 080032**  
SPN Mat. 119  
**NFS 000257**  
SPN Mat. 108  
**NFS 060243**  
SPN Mat. 136  
**NFS 060383**  
SPN Mat. 100

### Lot 68A

**NFS 170352**  
SPN Mat. 96  
OEK 30  
TKP  
RI 108  
Oud/Kalw. 3/1  
Gem. Si/Kalf /0

**HDE 110156**  
SPN Mat. 90



**HDE 130021**

**HDE 080022**  
SPN Mat. 76  
Silver

**HDE 070184**  
OEK 30 SPN Mat. 97  
TKP 387 Oud/Kalw. 12/10  
Gem. Si/Kalf 98/10

**HDE 110014**  
SPN Mat. 89


**HDE 100020**  
OEK 36 SPN Mat. 102  
TKP 456 Oud/Kalw. 5/3  
Gem. Si/Kalf 100/3

**ALF 040021**  
SPN Mat. 107  
**HDE 050166**  
SPN Mat. 74  
**FCT 010168**  
SPN Mat. 80  
**HDE 000214**  
SPN Mat. 112  
**FAM 070097**  
SPN Mat. 62  
**HDE 970015**  
SPN Mat. 133  
**HFN 050089**  
SPN Mat. 86  
**HDE 070002**  
SPN Mat. 115

### Lot 68B

**NFS 170379**  
SPN Mat. 87  
OEK 30  
TKP  
RI 110  
Oud/Kalw. 2/1  
Gem. Si/Kalf /0

**CEF 110301**  
SPN Mat. 77



Elite-Goud  
**HJS 040141**

**CEF 080338**  
SPN Mat. 93

**CEF 080218**  
OEK 29 SPN Mat. 94  
TKP 370 Oud/Kalw. 7/6  
Gem. Si/Kalf 103/6

**MMJ 980012**  
SPN Mat. 95  
Goud


**HJS 990025**  
OEK 37 SPN Mat. 101  
TKP 388 Oud/Kalw. 12/9  
Gem. Si/Kalf 98/9

**VV 040046**  
SPN Mat. 113  
**CEF 020109**  
SPN Mat. 105  
**CEF 060473**  
SPN Mat. 102  
**CEF 030199**  
SPN Mat. 71  
**HJL 940147**  
SPN Mat. 106  
**MMJ 940022**  
SPN Mat. 102  
**AG 940016**  
SPN Mat. 98  
**HJS 960220**  
SPN Mat. 108

### Lot 69A

**NFS 170060**  
SPN Mat. 109  
OEK 36  
TKP  
RI 90  
Oud/Kalw. 3/1  
Gem. Si/Kalf /0

**DAJ 120017**  
SPN Mat. 94



**NFS 140022**

**DAJ 090036**  
SPN Mat. 113

**DAJ 090083**  
OEK 29 SPN Mat. 87  
TKP 368 Oud/Kalw. 11/9  
Gem. Si/Kalf 99/7

**LAR 070037**  
SPN Mat. 98


**NFS 090087**  
OEK 31 SPN Mat. 144  
TKP 365 Oud/Kalw. 6/4  
Gem. Si/Kalf 110/4

**GCD 050148**  
SPN Mat. 110  
**DAJ 060063**  
SPN Mat. 92  
**CEF 990287**  
SPN Mat. 99  
**DAJ 050033**  
SPN Mat. 99  
**BG 040088**  
SPN Mat. 112  
**LAR 040240**  
SPN Mat. 102  
**NFS 060243**  
SPN Mat. 136  
**NFS 070233**  
SPN Mat. 114

### Lot 69B

**NFS 170460**  
SPN Mat. 66  
OEK 29  
TKP  
RI 113  
Oud/Kalw. 2/1  
Gem. Si/Kalf /0

**CEF 120418**  
SPN Mat. 54



**NFS 150194**

**CEF 080426**  
SPN Mat. 62

**CEF 080204**  
OEK 29 SPN Mat. 74  
TKP 398 Oud/Kalw. 9/7  
Gem. Si/Kalf 97/7

**JRP 120081**  
SPN Mat. 59

**NFS 090067**  
OEK 26 SPN Mat. 111  
TKP 360 Oud/Kalw. 7/6  
Gem. Si/Kalf 103/4

**CEF 040460**  
SPN Mat. 102  
**CEF 000050**  
SPN Mat. 110  
**CEF 050355**  
SPN Mat. 80  
**CEF 040150**  
SPN Mat. 97  
**LAR 070055**  
SPN Mat. 81  
**JRP 010030**  
SPN Mat. 89  
**NFS 060243**  
SPN Mat. 136  
**NFS 070026**  
SPN Mat. 93



## FEMALE ANIMALS


Lot	Seller	ID	PARENTS	Test	Breeding Value Indexes											R:	Calf ID	Breeder Own Remarks					
					DIRECT CALF TRAITS		DAUGHTER TRAITS			GROWTH		EFF.	REP	MEASURE-MENTS									
		POLLED		Gen		SIRE GV PV	DAM GV PV	Genomic Tested	Birth Dir	Wean Dir	Birth Mat	Wean Mat	Mat Wgt	Post Wean	ADG	FCR	SC	Hgt	Lgt	LHR	Birth Date (Weight)		
								DNA	Acc	Acc	Acc	Acc	Acc	Acc	Acc	Acc	Acc	Acc	Acc	BWR	Sire		
								Birth Date	Wgt kg	Wgt kg	Ind	kg	kg	kg	365dM	540dInd	Ind	Ind	(mm)	(mm)	(mm)	WWR	GT / POLLED

### Cows with Calves


70 A	SERNICK BONSMARA STOET	NFS 170392	HDT 130007	PW365	<b>103</b>	<b>97</b>	<b>91</b>	<b>94</b>	<b>97</b>	<b>101</b>	<b>98</b>	<b>94</b>	<b>97</b>	<b>85</b>	<b>96</b>	-	BONMNFS 200040
			<input checked="" type="checkbox"/>	DNA	0.72	11.8	0.22	2.2	7.0	22.5	87	-33	7.3	-11	9	6.98	10.04.20 (36)
			P	20.10.17	79	74	57	52	40	61	53	38	56	56	55	34.3	BONMNFS 170371
70 B	SERNICK BONSMARA STOET	NFS 170393	NFS 140069	PW365	<b>91</b>	<b>88</b>	<b>84</b>	<b>113</b>	<b>116</b>	<b>89</b>	<b>87</b>	<b>91</b>	<b>108</b>	<b>79</b>	<b>85</b>	-	BONNFNS 200001
			<input checked="" type="checkbox"/>	DNA	1.97	7.8	0.53	7.3	27.0	14.0	34	-28	16.4	-16	-6	5.13	18.03.20 (38)
			P	20.10.17	78	71	55	49	44	52	48	50	51	52	51	30.4	BONMNFS 160291
71 A	SERNICK BONSMARA STOET	NFS 170049	NFS 140014	PW365	<b>115</b>	<b>91</b>	<b>119</b>	<b>97</b>	<b>85</b>	<b>93</b>	<b>92</b>	<b>98</b>	<b>103</b>	<b>99</b>	<b>95</b>	-	BONNFNS 200002
			<input checked="" type="checkbox"/>	DNA	-0.55	9.3	-1.08	2.9	-7.0	16.8	61	-43	11.8	1	7	5.1	18.03.20 (28)
			P	19.04.17	80	72	60	59	45	52	46	49	50	50	49	45.1	BONMHBT 140107
71 B	SERNICK BONSMARA STOET	NFS 170374	NFS 140019	PW365	<b>93</b>	<b>98</b>	<b>85</b>	<b>120</b>	<b>94</b>	<b>109</b>	<b>117</b>	<b>115</b>	<b>106</b>	<b>105</b>	<b>103</b>	-	BONMNFS 200126
			<input checked="" type="checkbox"/>	DNA	1.76	12.4	0.50	9.3	3.0	27.9	174	-77	14.8	5	18	5.4	28.04.20 (37)
			P	13.10.17	79	73	58	53	42	56	49	50	53	54	52	34.4	BONMBBP 120337
72 A	SERNICK BONSMARA STOET	NFS 170368	NFS 140019	PW365	<b>87</b>	<b>105</b>	<b>93</b>	<b>108</b>	<b>77</b>	<b>109</b>	<b>108</b>	<b>108</b>	<b>105</b>	<b>108</b>	<b>105</b>	-	BONMNFS 200089
			<input checked="" type="checkbox"/>	DNA	2.44	15.6	0.12	6.1	-16.0	28.2	132	-63	13.9	8	21	7.75	22.04.20 (35)
			P	11.10.17	77	71	57	50	43	52	50	52	53	54	52	55.5	BONMHDT 160073
72 B	SERNICK BONSMARA STOET	NFS 170465	VV 150063	PW365	<b>114</b>	<b>89</b>	<b>86</b>	<b>95</b>	<b>90</b>	<b>100</b>	<b>93</b>	<b>92</b>	<b>108</b>	<b>91</b>	<b>97</b>	-	BONMNFS 200117
			<input checked="" type="checkbox"/>	DNA	-0.49	8.3	0.43	2.4	-1.0	21.8	63	-29	16.2	-6	11	6.33	28.04.20 (38)
			P	02.12.17	79	71	54	49	39	52	48	34	52	52	51	34.5	BONMMCU 140048

1.02	13.3	-0.19	3.8	10	21.7	96	-46	9.6	2	14
------	------	-------	-----	----	------	----	-----	-----	---	----


**Lot 70A**

<p><b>NFS 170392</b>                  SPN Mat. 94                  AFC 30                  ICP                  RI 110                  Age/Calv. 2/1                  Avg. WI/Calf /0</p>		<p><b>HDT 130007 P</b>                  SPN Mat. 120</p>	<p><b>HDT 130097 P</b>                  AFC 36                  ICP 371                  RI 104                  SPN Mat. 66                  Age/Calv. 6/4                  Avg. WI/Calf 93/4</p>	<p><b>PAD 090196</b>                  SPN Mat. 123</p>	<p><b>HDT 070057 P</b>                  AFC 37                  ICP 455                  SPN Mat. 130                  Age/Calv. 6/3                  Avg. WI/Calf 103/2</p>	<p><b>HDT 100005</b>                  SPN Mat. 59</p>	<p><b>HDT 060001</b>                  AFC 29                  ICP 367                  SPN Mat. 98                  Age/Calv. 10/9                  Avg. WI/Calf 100/7</p>	<p><b>EI 040038</b>                  SPN Mat. 93  <b>SLH 950067</b>                  SPN Mat. 137  <b>HDT 030078 P</b>                  SPN Mat. 123  <b>HDT 040240</b>                  SPN Mat. 119  <b>HDT 060002</b>                  SPN Mat. 79  <b>HDT 050038 P</b>                  SPN Mat. 88  <b>HDT 000061 P</b>                  SPN Mat. 94  <b>HDT 000071</b>                  SPN Mat. 89</p>


**Lot 70B**

<p><b>NFS 170393</b>                  SPN Mat. 113                  AFC 29                  ICP                  RI 112                  Age/Calv. 2/1                  Avg. WI/Calf /0</p>		<p><b>NFS 140069</b>                  SPN Mat. 114</p>	<p><b>NFS 140072</b>                  AFC 29                  ICP 437                  RI 105                  SPN Mat. 106                  Age/Calv. 6/4                  Avg. WI/Calf 101/3</p>	<p><b>DKN 090345</b>                  SPN Mat. 74</p>	<p><b>NFS 110091</b>                  AFC 35                  ICP 369                  SPN Mat. 134                  Age/Calv. 5/3                  Avg. WI/Calf 103/2</p>	<p><b>FDS 100119</b>                  SPN Mat. 85</p>	<p><b>NFS 100074</b>                  AFC 36                  ICP 427                  SPN Mat. 121                  Age/Calv. 6/4                  Avg. WI/Calf 104/4</p>	<p><b>GJN 030098</b>                  SPN Mat. 58  <b>DKN 040054</b>                  SPN Mat. 110  <b>NFS 060243</b>                  SPN Mat. 136  <b>T 030069</b>                  SPN Mat. 112  <b>BEI 060124</b>                  SPN Mat. 78  <b>FDS 070024</b>                  SPN Mat. 94  <b>NFS 060243</b>                  SPN Mat. 136  <b>NFS 060114</b>                  SPN Mat. 95</p>


**Lot 71A**

<p><b>NFS 170049</b>                  SPN Mat. 97                  AFC 24                  ICP 347                  RI 126                  Age/Calv. 3/2                  Avg. WI/Calf 105/1</p>		<p><b>NFS 140014</b>                  SPN Mat. 95</p>	<p><b>NFS 150113</b>                  AFC 23                  ICP 449                  RI 115                  SPN Mat. 99                  Age/Calv. 4/3                  Avg. WI/Calf 101/3</p>	<p><b>NFS 110101</b>                  SPN Mat. 100                  Silver</p>	<p><b>NFS 070101</b>                  AFC 30                  ICP 395                  SPN Mat. 93                  Age/Calv. 8/6                  Avg. WI/Calf 96/4</p>	<p><b>NFS 110154</b>                  SPN Mat. 94</p>	<p><b>NFS 100046</b>                  AFC 29                  ICP 484                  SPN Mat. 110                  Age/Calv. 5/3                  Avg. WI/Calf 103/3</p>	<p><b>NFS 080032</b>                  SPN Mat. 119  <b>NFS 000257</b>                  SPN Mat. 108  <b>RGR 030116</b>                  SPN Mat. 83  <b>NFS 040207</b>                  SPN Mat. 113  <b>ZAK 030082</b>                  SPN Mat. 65  <b>NFS 060323</b>                  SPN Mat. 121  <b>NFS 060287</b>                  SPN Mat. 108  <b>NFS 000205</b>                  SPN Mat. 104</p>


**Lot 71B**

<p><b>NFS 170374</b>                  SPN Mat. 120                  AFC 30                  ICP                  RI 108                  Age/Calv. 3/1                  Avg. WI/Calf /0</p>		<p><b>NFS 140019</b>                  SPN Mat. 105</p>	<p><b>ZVJ 100098</b>                  AFC 36                  ICP 364                  RI 109                  SPN Mat. 128                  Age/Calv. 9/7                  Avg. WI/Calf 105/8</p>	<p><b>LAR 070037</b>                  SPN Mat. 98</p>	<p><b>NFS 040120</b>                  AFC 26                  ICP 381                  SPN Mat. 119                  Age/Calv. 12/10                  Avg. WI/Calf 103/9</p>	<p><b>PHR 070240</b>                  SPN Mat. 119</p>	<p><b>SSK 060041</b>                  AFC 33                  ICP 412                  SPN Mat. 103                  Age/Calv. 5/3                  Avg. WI/Calf 92/2</p>	<p><b>BG 040088</b>                  SPN Mat. 112  <b>LAR 040240</b>                  SPN Mat. 102  <b>NFS 960350</b>                  SPN Mat. 117  <b>NFS 980244</b>                  SPN Mat. 106  <b>PHR 040064</b>                  SPN Mat. 110  <b>PHR 050066</b>                  SPN Mat. 106  <b>SSK 020017</b>                  SPN Mat. 111  <b>SSK 020005</b>                  SPN Mat. 109</p>

**Lot 72A**

<p><b>NFS 170368 P</b>                  SPN Mat. 108                  AFC 30                  ICP                  RI 108                  Age/Calv. 3/1                  Avg. WI/Calf /0</p>		<p><b>NFS 140019</b>                  SPN Mat. 105</p>	<p><b>NFS 150179 P</b>                  AFC 25                  ICP 376                  RI 120                  SPN Mat. 105                  Age/Calv. 4/3                  Avg. WI/Calf 103/3</p>	<p><b>LAR 070037</b>                  SPN Mat. 98</p>	<p><b>NFS 040120</b>                  AFC 26                  ICP 381                  SPN Mat. 119                  Age/Calv. 12/10                  Avg. WI/Calf 103/9</p>	<p><b>CEF 110493</b>                  SPN Mat. 86</p>	<p><b>NFS 130028 P</b>                  AFC 28                  ICP 373                  SPN Mat. 143                  Age/Calv. 6/5                  Avg. WI/Calf 107/5</p>	<p><b>BG 040088</b>                  SPN Mat. 112  <b>LAR 040240</b>                  SPN Mat. 102  <b>NFS 960350</b>                  SPN Mat. 117  <b>NFS 980244</b>                  SPN Mat. 106  <b>CEF 090485</b>                  SPN Mat. 106  <b>CEF 080084</b>                  SPN Mat. 81  <b>NFS 060243</b>                  SPN Mat. 136  <b>NFS 070324</b>                  SPN Mat. 129</p>

**Lot 72B**

<p><b>NFS 170465</b>                  SPN Mat. 95                  AFC 29                  ICP                  RI 113                  Age/Calv. 2/1                  Avg. WI/Calf /0</p>		<p><b>VV 150063</b>                  SPN Mat. 111</p>	<p><b>VV 140634</b>                  AFC 22                  ICP 402                  RI 125                  SPN Mat. 70                  Age/Calv. 3/2                  Avg. WI/Calf 95/2</p>	<p><b>VV 120139</b>                  SPN Mat. 99</p>	<p><b>VV 070084</b>                  AFC 28                  ICP 410                  SPN Mat. 118                  Age/Calv. 8/6                  Avg. WI/Calf 102/6</p>	<p><b>VV 120133</b>                  SPN Mat. 72</p>	<p><b>VV 090513</b>                  AFC 36                  ICP 361                  SPN Mat. 95                  Age/Calv. 8/6                  Avg. WI/Calf 97/6</p>	<p><b>VV 090089</b>                  SPN Mat. 78  <b>VV 090475</b>                  SPN Mat. 117  <b>VV 040257</b>                  SPN Mat. 99  <b>VV 040048</b>                  SPN Mat. 101  <b>VV 090271</b>                  SPN Mat. 82  <b>VV 040167</b>                  SPN Mat. 87  <b>VV 050505</b>                  SPN Mat. 98  <b>VV 030459</b>                  SPN Mat. 126</p>

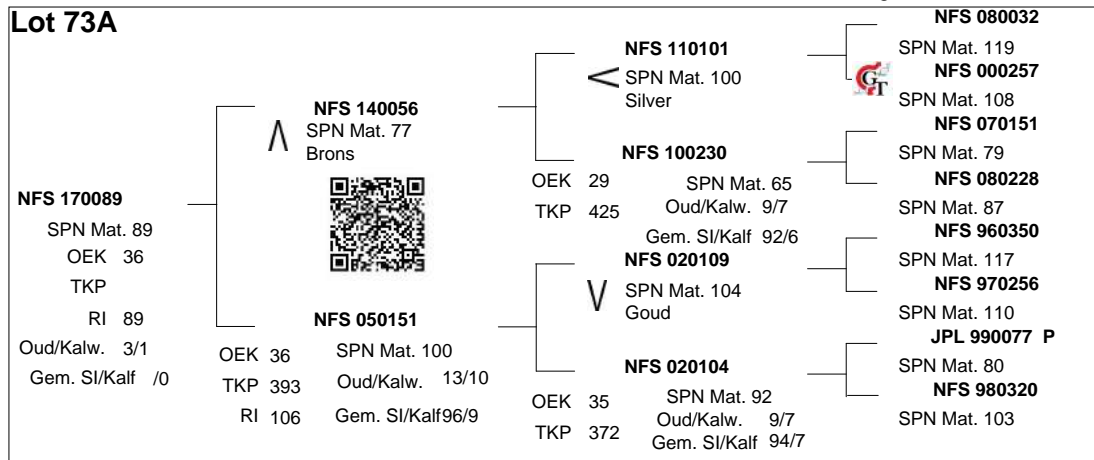
**VROULIKE DIERE**

Lot	Verkoper	ID POENA Gen	OUERS		Toets	Teelwaarde indekse											Kalf ID	Gebruiker Eie Opmerkings		
			VADER GV OV	MOEDER GV OV		Genomies Getoets	Geb Dir	Speen Dir	Geb Mat	Speen Mat	Volw Gew	Naspeen	GDT	VOV	SO	Hgt			Lgt	LHV
					DNS	Akk	Akk	Akk	Akk	Akk	Akk	Akk	Akk	Akk	Akk	Akk	Akk	GGV	Vaar	
					Geb. dat.	Gew kg	Gew kg	Ind	kg	kg	kg	365dM	540d Ind	Ind	Ind	(mm)	(mm)	(mm)	SGV	GT / POLLED

**Koeie met Kalwers**

73 A	SERNICK BONSMARA STOET	NFS 170089 SP	NFS 140056	NS365	86	120	103	89	122	124	117	126	119	118	109	-	BONFNFS 200192
			<input checked="" type="checkbox"/>	DNS	2.54	22.3	-0.31	0.9	33.0	38.6	176	-101	25.0	16	26	4.7	16.05.20 (38)
			NFS 050151	DNS	78	73	51	55	40	58	52	54	56	57	56		BONMJG 130302
				01.05.17	38											32	

**Lot 73A**



## FEMALE ANIMALS

Lot	Seller	ID	PARENTS	Test	DIRECT CALF TRAITS		DAUGHTER TRAITS			GROWTH		EFF.	REP	MEASURE-MENTS	R:	Breeder Own Remarks			
					Progeny Birth Weight	Progeny Wean Weight	Ease of Calving	Milk prod.	Mature Weight	Post Wean Weight	Daily Gain						Feed Conv	Height & Length	
Breeding Value Indexes																			
Lot	Seller	ID	SIRE GV PV	Genomic Tested	Birth Dir	Wean Dir			Birth Mat	Wean Mat	Mat Wgt	Post Wean	ADG	FCR	SC	Hgt	Lgt	LHR	
						Acc	Acc	Ind											Acc
		Gen	DAM GV PV	DNA	Birth Date	Wgt kg	Wgt kg	Ind	kg	kg	kg	365d Ind	540d Ind	Ind	Ind	(mm)	(mm)	(mm)	WWR




## Pregnant Heifers

73 B	SERNICK BONSMARA STOET	NFS 170294  SP	CEF 110301	PW365	<b>85</b>	<b>112</b>	<b>103</b>	<b>93</b>	<b>120</b>	<b>113</b>	<b>103</b>	<b>97</b>	<b>109</b>	<b>101</b>	<b>111</b>	-	7-9 Mnde dragtig van MCU 14-048 (01/07/19-09/09/19)
			<input checked="" type="checkbox"/>		2.64	18.9	-0.32	1.9	31.0	31.0	110	-41	16.5	2	29	6.29	
			NFS 070060	DNA	78	75	62	64	54	64	56	53	58	59	58		
				27.09.17	39	233	<b>92</b>				91	-				35.3	

1.02	13.3	-0.19	3.8	10	21.7	96	-46	9.6	2	14
------	------	-------	-----	----	------	----	-----	-----	---	----



**Lot 73B** 7-9 Mnde dragtig van MCU 14-048 (01/07/19-09/09/19)

<p><b>NFS 170294</b> SPN Mat. 93</p>	 <b>CEF 110301</b> SPN Mat. 77   Elite-Gold  <b>NFS 070060</b>	<p><b>CEF 080338</b> SPN Mat. 93</p>	<p><b>CEF 080218</b> AFC 29      SPN Mat. 94 ICP 370      Age/Calv. 7/6 Avg. WI/Calf 103/6</p>	<p><b>VV 030159</b> SPN Mat. 94</p>	<p><b>T 030069</b> AFC 29      SPN Mat. 112 ICP 395      Age/Calv. 10/8 Avg. WI/Calf 100/8</p>	<p><b>VV 040046</b> SPN Mat. 113 <b>CEF 020109</b> SPN Mat. 105 <b>CEF 060473</b> SPN Mat. 102 <b>CEF 030199</b> SPN Mat. 71 <b>VV 010112</b> SPN Mat. 127 <b>VV 940321</b> SPN Mat. 94 <b>DFP 000173</b> SPN Mat. 124 <b>T 980074</b> SPN Mat. 98</p>

## VROULIKE DIERE

Lot	Verkoper	ID POENA Gen	OUERS		Toets	Teelwaarde indekse										Dae Oop	Gebruiker Eie Opmerkings				
			VADER GV OV	MOEDER GV OV		Genomies Getoets	Geb Dir	Speen Dir	Geb Mat	Speen Mat	Volwas- se Gewig	Naspeen	GDT	VOV	SO			Hgt	Lgt	LHV	
			DNS	Akk	Akk	Akk	Akk	Akk	Akk	Akk	Akk	Akk	Akk	Akk	Akk			Akk	Akk	GGV	
					Geb. dat.	Gew kg	Gew kg	Ind	kg	kg	kg	365d Ind	540d Ind	Ind	Ind	(mm)	(mm)	(mm)	SGV	Kalwers	

### Dragtige Koeie

74 A	SERNICK BONSMARA STOET	NFS 140147 SP	NFS 110101	NS365	<b>80</b>	<b>112</b>	<b>105</b>	<b>100</b>	<b>97</b>	<b>108</b>	<b>108</b>	<b>116</b>	<b>117</b>	<b>107</b>	<b>104</b>	-	239	3-5 Mnde dragtig van MS ;NAT NFS 18-036 (02/12/19-24/02/20) ;KI CEF 14-311 (12/12/19)
			NFS 100184		3.16 82	18.7 77	-0.43 73	3.8 76	6.0 73	27.6 63	135 56	-79 56	23.2 58	7 58	20 57	7.02	6	
				21.05.14	40											47.2	4	
74 B	SERNICK BONSMARA STOET	NFS 140262 SP	JPL 100045	NS540	<b>91</b>	<b>113</b>	<b>108</b>	<b>77</b>	<b>95</b>	<b>105</b>	<b>107</b>	<b>100</b>	<b>86</b>	<b>104</b>	<b>109</b>	-	241	3-5 Mnde dragtig van MS ;NAT NFS 18-074 (02/12/19-24/02/20) ;KI LAR 14-064 (12/12/19)
			ZVJ 100002	DNS	1.94 83	19.0 78	-0.58 73	-2.5 74	5.0 71	25.2 70	128 56	-46 57	-1.7 61	5 61	26 60	7	5.6	
				18.10.14	35											49.6	4	
75 A	SERNICK BONSMARA STOET	NFS 140168 SP	DKN 090345	NS540	<b>98</b>	<b>102</b>	<b>101</b>	<b>81</b>	<b>89</b>	<b>99</b>	<b>97</b>	<b>96</b>	<b>104</b>	<b>98</b>	<b>94</b>	-	207	3-5 Mnde dragtig van NFS 18-074 (02/12/19-24/02/20)
			NFS 100033		1.23 81	14.1 76	-0.25 71	-1.5 72	-2.0 66	21.3 70	82 61	-38 65	13.0 66	0 67	7 65	6.37	5.7	
				21.09.14	29											48.4	3	
75 B	SERNICK BONSMARA STOET	NFS 140295 SP	JPL 100045	NS540	<b>89</b>	<b>109</b>	<b>110</b>	<b>81</b>	<b>95</b>	<b>108</b>	<b>95</b>	<b>90</b>	<b>102</b>	<b>100</b>	<b>105</b>	-	235	3-5 Mnde dragtig van MS ;NAT NFS 18-074 (02/12/19-24/02/20) ;KI CEF 13-548 (12/12/19)
			ZVJ 110026	DNS	2.22 83	17.4 78	-0.64 73	-1.5 74	4.0 70	27.0 70	73 56	-25 57	11.1 60	1 61	21 60	6.96	5.6	
				25.10.14	32											47.2	4	
76 A	SERNICK BONSMARA STOET	NFS 140031 SP	DKN 090345	NS365	<b>102</b>	<b>118</b>	<b>115</b>	<b>97</b>	<b>106</b>	<b>121</b>	<b>127</b>	<b>119</b>	<b>106</b>	<b>114</b>	<b>110</b>	-	210	3-5 Mnde dragtig van MS ;NAT NFS 18-036 (02/12/19-24/02/20) ;KI NFS 15-069 (12/12/19)
			NFS 110043		0.81 74	21.7 76	-0.88 71	3.1 74	16.0 71	36.1 62	222 64	-87 67	14.7 69	13 70	28 68	5.4	6.1	
				08.04.14	34											40.8	4	
76 B	SERNICK BONSMARA STOET	NFS 140121 SP	CRV 100143	NS365	<b>90</b>	<b>102</b>	<b>89</b>	<b>130</b>	<b>114</b>	<b>107</b>	<b>103</b>	<b>112</b>	<b>99</b>	<b>111</b>	<b>101</b>	-	242	3-5 Mnde dragtig van MS ;NAT NFS 18-036 (02/12/19-24/02/20) ;KI MCU 17-037 (12/12/19)
			NFS 050295		2.13 81	14.4 76	0.30 71	12.0 70	25.0 63	26.6 60	110 56	-72 60	8.7 62	10 62	16 61	5.36	6	
				07.05.14	37											35.3	4	

# CONTOESKAP VAN SA

Saamgestel deur die Suid-Afrikaanse Stamboek- en Veeverbeteringsvereniging

Veilingsdatum: 05/06/2020

Data soos op 22/05/2020 14:33:33

**Lot 74A** 3-5 Mnde dragtig van MS  
NAT NFS 18-036 (02/12/19-24/02/20)  
KI CEF 14-311 (12/12/19)

**NFS 140147**  
SPN Mat. 100  
OEK 28  
TKP 370  
RI 115  
Oud/Kalw. 5/4  
Gem. Si/Kalf 94/4

**NFS 110101**  
SPN Mat. 100  
Silver

**NFS 100184**

OEK 31 SPN Mat. 122  
TKP 367 Oud/Kalw. 9/7  
RI 113 Gem. Si/Kalf 93/6

**NFS 080032**  
SPN Mat. 119  
Goud

**NFS 000257**  
OEK 31 SPN Mat. 108  
TKP 378 Oud/Kalw. 14/12  
Gem. Si/Kalf 98/12

**NFS 060243**  
SPN Mat. 136  
Goud

**NFS 060383**  
OEK 23 SPN Mat. 100  
TKP 369 Oud/Kalw. 4/3  
Gem. Si/Kalf 102/3

**NFS 050325**  
SPN Mat. 122

**NFS 060055**  
SPN Mat. 139

**NFS 960350**  
SPN Mat. 117

**NFS 960197**  
SPN Mat. 109

**AG 020338**  
SPN Mat. 111

**T 030046**  
SPN Mat. 151

**T 030031**  
SPN Mat. 91

**NFS 030201**  
SPN Mat. 101

**Lot 74B** 3-5 Mnde dragtig van MS  
NAT NFS 18-074 (02/12/19-24/02/20)  
KI LAR 14-064 (12/12/19)

**NFS 140262**  
SPN Mat. 77  
OEK 23  
TKP 365  
RI 122  
Oud/Kalw. 5/4  
Gem. Si/Kalf 96/4

**JPL 100045**  
SPN Mat. 68

**ZVJ 100002**

OEK 31 SPN Mat. 98  
TKP 393 Oud/Kalw. 10/8  
RI 109 Gem. Si/Kalf 100/6

**JPL 070021**  
SPN Mat. 67

**JPL 050009**  
OEK 30 SPN Mat. 100  
TKP 394 Oud/Kalw. 11/9  
Gem. Si/Kalf 102/9

**AG 060139**  
SPN Mat. 100

**HJS 050269**  
OEK 31 SPN Mat. 103  
TKP 349 Oud/Kalw. 4/3  
Gem. Si/Kalf 108/2

**PER 000077**  
SPN Mat. 97

**VOG 020001**  
SPN Mat. 97

**JPL 990077 P**  
SPN Mat. 80

**JPL 000071**  
SPN Mat. 119

**AG 030205**  
SPN Mat. 84

**AG 980128**  
SPN Mat. 106

**AMF 970431**  
SPN Mat. 95

**HJS 020058**  
SPN Mat. 80

**Lot 75A** 3-5 Mnde dragtig van NFS 18-074 (02/12/19-24/02/20)

**NFS 140168**  
SPN Mat. 81  
OEK 31  
TKP 462  
RI 101  
Oud/Kalw. 5/3  
Gem. Si/Kalf 94/3

**DKN 090345**  
SPN Mat. 74

**NFS 100033**

OEK 29 SPN Mat. 108  
TKP 391 Oud/Kalw. 9/7  
RI 110 Gem. Si/Kalf 96/6

**GJN 030098**  
SPN Mat. 58  
Bron  
Elite-Goud

**DKN 040054**  
OEK 38 SPN Mat. 110  
TKP 413 Oud/Kalw. 10/7  
Gem. Si/Kalf 103/7

**NFS 060243**  
SPN Mat. 136  
Goud

**NFS 070265**  
OEK 30 SPN Mat. 99  
TKP 363 Oud/Kalw. 8/7  
Gem. Si/Kalf 95/5

**RCO 980082**  
SPN Mat. 63

**GJN 990013**  
SPN Mat. 91

**RGR 960095**  
SPN Mat. 96

**DKN 990053**  
SPN Mat. 114

**AG 020338**  
SPN Mat. 111

**T 030046**  
SPN Mat. 151

**AEJ 020067**  
SPN Mat. 94

**T 010048**  
SPN Mat. 103

**Lot 75B** 3-5 Mnde dragtig van MS  
NAT NFS 18-074 (02/12/19-24/02/20)  
KI CEF 13-548 (12/12/19)

**NFS 140295**  
SPN Mat. 81  
OEK 24  
TKP 355  
RI 122  
Oud/Kalw. 5/4  
Gem. Si/Kalf 96/4

**JPL 100045**  
SPN Mat. 68

**ZVJ 110026**

OEK 30 SPN Mat. 107  
TKP 400 Oud/Kalw. 9/7  
RI 108 Gem. Si/Kalf 104/6

**JPL 070021**  
SPN Mat. 67

**JPL 050009**  
OEK 30 SPN Mat. 100  
TKP 394 Oud/Kalw. 11/9  
Gem. Si/Kalf 102/9

**AG 060481**  
SPN Mat. 91

**HJS 030195**  
OEK 31 SPN Mat. 110  
TKP 445 Oud/Kalw. 9/6  
Gem. Si/Kalf 105/6

**PER 000077**  
SPN Mat. 97

**VOG 020001**  
SPN Mat. 97

**JPL 990077 P**  
SPN Mat. 80

**JPL 000071**  
SPN Mat. 119

**LAR 010176**  
SPN Mat. 83

**AG 970157**  
SPN Mat. 106

**MMJ 980012**  
SPN Mat. 95

**HJS 990035**  
SPN Mat. 101

**Lot 76A** 3-5 Mnde dragtig van MS  
NAT NFS 18-036 (02/12/19-24/02/20)  
KI NFS 15-069 (12/12/19)

**NFS 140031**  
SPN Mat. 97  
OEK 30  
TKP 374  
RI 112  
Oud/Kalw. 6/4  
Gem. Si/Kalf 100/4

**DKN 090345**  
SPN Mat. 74

**NFS 110043**

OEK 35 SPN Mat. 126  
TKP Oud/Kalw. 3/1  
RI 92 Gem. Si/Kalf 112/1

**GJN 030098**  
SPN Mat. 58  
Bron  
Elite-Goud

**DKN 040054**  
OEK 38 SPN Mat. 110  
TKP 413 Oud/Kalw. 10/7  
Gem. Si/Kalf 103/7

**NFS 080032**  
SPN Mat. 119  
Goud

**NFS 040340**  
OEK 29 SPN Mat. 120  
TKP 415 Oud/Kalw. 10/8  
Gem. Si/Kalf 102/7

**RCO 980082**  
SPN Mat. 63

**GJN 990013**  
SPN Mat. 91

**RGR 960095**  
SPN Mat. 96

**DKN 990053**  
SPN Mat. 114

**NFS 050325**  
SPN Mat. 122

**NFS 060055**  
SPN Mat. 139

**FCT 990022**  
SPN Mat. 121

**NFS 000303**  
SPN Mat. 80

**Lot 76B** 3-5 Mnde dragtig van MS  
NAT NFS 18-036 (02/12/19-24/02/20)  
KI MCU 17-037 (12/12/19)

**NFS 140121**  
SPN Mat. 130  
OEK 25  
TKP 402  
RI 115  
Oud/Kalw. 5/4  
Gem. Si/Kalf 107/3

**CRV 100143**  
SPN Mat. 123  
Goud

**NFS 050295**

OEK 24 SPN Mat. 129  
TKP 386 Oud/Kalw. 9/8  
RI 115 Gem. Si/Kalf 104/8

**ZAK 050115**  
SPN Mat. 109

**VV 060125**  
OEK 28 SPN Mat. 150  
TKP 372 Oud/Kalw. 14/12  
Gem. Si/Kalf 108/10

**DFP 000173**  
SPN Mat. 124

**T 920055**  
OEK 32 SPN Mat. 119  
TKP 402 Oud/Kalw. 18/15  
Gem. Si/Kalf 102/15

**VV 020258**  
SPN Mat. 99

**ZAK 980059**  
SPN Mat. 105

**VV 030016**  
SPN Mat. 123

**VV 960119**  
SPN Mat. 140

**RCO 960159**  
SPN Mat. 92

**GV 950095**  
SPN Mat. 117

**AG K 0084**  
SPN Mat. 137

**T X 0019**  
SPN Mat. 76

## FEMALE ANIMALS

Lot	Seller	ID	PARENTS	Test	Breeding Value Indexes											Days Open	Breeder Own Remarks						
					SIRE GV PV	Genomic Tested	Birth Dir		Wean Dir		Birth Mat	Wean Mat	Mat Wgt	Post Wean				ADG	FCR	SC	Hgt	Lgt	LHR
							DNA	Acc	Acc	Acc	Acc	Acc	Acc	Acc	Acc			Acc	Acc	Acc	Acc	Acc	Acc
Gen	DAM GV PV	Birth Date	Wgt kg	Wgt kg	Ind	kg	kg	kg	365d Ind	540d Ind	Ind	Ind	(mm)	(mm)	(mm)	WWR	Age	Calves					

### Pregnant Cows

77 A	SERNICK BONSMARA STOET	NFS 140152 SP	NFS 110101	PW365	<b>94</b>	<b>112</b>	<b>116</b>	<b>98</b>	<b>106</b>	<b>104</b>	<b>110</b>	<b>114</b>	<b>107</b>	<b>111</b>	<b>108</b>	-	235	3-5 Mnde dragtig van MS ;NAT NFS 18-036 (02/12/19-24/02/20) ;KI NFS 15-069 (12/12/19)
					1.65	18.7	-0.93	3.3	16.0	24.7	141	-75	15.3	11	25	5.21	6	
			NFS 100227	23.05.14	31												49.6	
77 B	SERNICK BONSMARA STOET	NFS 140334 SP	JPL 100045	PW540	<b>91</b>	<b>102</b>	<b>111</b>	<b>93</b>	<b>104</b>	<b>103</b>	<b>89</b>	<b>87</b>	<b>93</b>	<b>94</b>	<b>102</b>	-	208	3-5 Mnde dragtig van NFS 18-074 (02/12/19-24/02/20)
					1.99	14.0	-0.69	1.8	14.0	23.9	45	-20	4.1	-3	17	6.73	5.6	
			MRW 020194	DNA 01.11.14	33												45.4	
78 A	SERNICK BONSMARA STOET	NFS 140130 SP	NFS 110101	PW365	<b>81</b>	<b>114</b>	<b>87</b>	<b>107</b>	<b>111</b>	<b>114</b>	<b>103</b>	<b>109</b>	<b>102</b>	<b>96</b>	<b>100</b>	-	173	3-5 Mnde dragtig van HBT 14-107 (02/12/19-24/02/20)
					3.07	19.8	0.40	5.8	22.0	31.4	111	-65	11.0	-2	14	6.35	6	
			NFS 100187	13.05.14	33												45.6	
78 B	SERNICK BONSMARA STOET	NFS 140308 SP	FCT 090242	PW540	<b>78</b>	<b>118</b>	<b>100</b>	<b>95</b>	<b>117</b>	<b>115</b>	<b>109</b>	<b>109</b>	<b>105</b>	<b>95</b>	<b>101</b>	-	241	3-5 Mnde dragtig van MS ;NAT NFS 18-074 (02/12/19-24/02/20) ;KI NFS 15-069 (12/12/19)
					3.33	21.6	-0.19	2.4	28.0	31.8	136	-65	13.6	-2	15	6.23	5.6	
			NFS 110034	08.10.14	33												45	
79 A	SERNICK BONSMARA STOET	NFS 140039 SP	NFS 100123	PW365	<b>87</b>	<b>113</b>	<b>92</b>	<b>119</b>	<b>100</b>	<b>115</b>	<b>109</b>	<b>117</b>	<b>94</b>	<b>109</b>	<b>105</b>	-	246	3-5 Mnde dragtig van MS ;NAT HDT 16-077 (02/12/19-24/02/20) ;KI SYF 15-155 (12/12/19)
					2.35	19.3	0.16	9.0	10.0	32.3	140	-82	4.5	9	21	5.11	6.1	
			NFS 100082	13.04.14	35												35.1	
79 B	SERNICK BONSMARA STOET	NFS 140355 SP	CRV 100143	PW540	<b>101</b>	<b>106</b>	<b>118</b>	<b>115</b>	<b>115</b>	<b>112</b>	<b>111</b>	<b>122</b>	<b>86</b>	<b>106</b>	<b>103</b>	-	387	3-5 Mnde dragtig van MS ;NAT HDT 16-077 (02/12/19-24/02/20) ;KI MCU 17-037 (12/12/19)
					0.96	16.0	-1.00	7.9	27.0	30.0	146	-93	-1.1	7	19	6.4	5.5	
			NFS 020080	23.11.14	32												42.4	

**Lot 77A** 3-5 Mnde dragtig van MS  
 NAT NFS 18-036 (02/12/19-24/02/20)  
 KI NFS 15-069 (12/12/19)

**NFS 140152**  
 SPN Mat. 98  
 AFC 29  
 ICP 356  
 RI 115  
 Age/Calv. 5/4  
 Avg. WI/Calf 100/4

**NFS 110101**  
 SPN Mat. 100  
 Silver

**NFS 100227**

**NFS 080032**  
 SPN Mat. 119  
 Gold

**NFS 000257**  
 AFC 31 SPN Mat. 108  
 ICP 378 Age/Calv. 14/12  
 Avg. WI/Calf 98/12

**NFS 060287**  
 SPN Mat. 108  
 Silver

**NFS 000336**  
 AFC 35 SPN Mat. 105  
 ICP 368 Age/Calv. 12/10  
 Avg. WI/Calf 102/9

**NFS 050325**  
 SPN Mat. 122

**NFS 060055**  
 SPN Mat. 139

**NFS 960350**  
 SPN Mat. 117


**NFS 960197**  
 SPN Mat. 109

**VV 940061**  
 SPN Mat. 111

**NFS 010280**  
 SPN Mat. 102

**NFS N 0174**  
 SPN Mat. 91

**NFS 960187**  
 SPN Mat. 113



**Lot 77B** 3-5 Mnde dragtig van NFS 18-074 (02/12/19-24/02/20)

**NFS 140334**  
 SPN Mat. 93  
 AFC 34  
 ICP 394  
 RI 103  
 Age/Calv. 5/3  
 Avg. WI/Calf 102/3

**JPL 100045**  
 SPN Mat. 68

**MRW 020194**  
 AFC 32 SPN Mat. 99  
 ICP 381 Age/Calv. 12/10  
 RI 110 Avg. WI/Calf 98/9

**JPL 070021**  
 SPN Mat. 67

**JPL 050009**  
 AFC 30 SPN Mat. 100  
 ICP 394 Age/Calv. 11/9  
 Avg. WI/Calf 102/9

**VV 980391**  
 SPN Mat. 110

**MRW 930200**  
 AFC 35 SPN Mat. 89  
 ICP 389 Age/Calv. 12/10  
 Avg. WI/Calf 106/9

**PER 000077**  
 SPN Mat. 97

**VOG 020001**  
 SPN Mat. 97

**JPL 990077 P**  
 SPN Mat. 80


**JPL 000071**  
 SPN Mat. 119

**VV 960318**  
 SPN Mat. 76

**VV 950271**  
 SPN Mat. 105

**RCO 900193**  
 SPN Mat. 69

**MRW 900114**  
 SPN Mat. 84



**Lot 78A** 3-5 Mnde dragtig van HBT 14-107 (02/12/19-24/02/20)

**NFS 140130**  
 SPN Mat. 107  
 AFC 28  
 ICP 387  
 RI 112  
 Age/Calv. 6/4  
 Avg. WI/Calf 108/3

**NFS 110101**  
 SPN Mat. 100  
 Silver

**NFS 100187**

**NFS 080032**  
 SPN Mat. 119  
 Gold

**NFS 000257**  
 AFC 31 SPN Mat. 108  
 ICP 378 Age/Calv. 14/12  
 Avg. WI/Calf 98/12

**NFS 050252**  
 SPN Mat. 82  
 Gold

**NFS 080200**  
 AFC 24 SPN Mat. 98  
 ICP 407 Age/Calv. 11/9  
 Avg. WI/Calf 98/8

**NFS 050325**  
 SPN Mat. 122

**NFS 060055**  
 SPN Mat. 139

**NFS 960350**  
 SPN Mat. 117


**NFS 960197**  
 SPN Mat. 109

**FCT 000188**  
 SPN Mat. 70

**NFS 000030**  
 SPN Mat. 111

**ZAK 030082**  
 SPN Mat. 65

**NFS 980231**  
 SPN Mat. 129



**Lot 78B** 3-5 Mnde dragtig van MS  
 NAT NFS 18-074 (02/12/19-24/02/20)  
 KI NFS 15-069 (12/12/19)

**NFS 140308**  
 SPN Mat. 95  
 AFC 23  
 ICP 367  
 RI 122  
 Age/Calv. 5/4  
 Avg. WI/Calf 101/3

**FCT 090242**  
 SPN Mat. 76

**NFS 110034**  
 AFC 24 SPN Mat. 114  
 ICP 527 Age/Calv. 3/2  
 RI 112 Avg. WI/Calf 105/2

**FCT 050127**  
 SPN Mat. 74

**FCT 040061**  
 AFC 28 SPN Mat. 94  
 ICP 378 Age/Calv. 8/6  
 Avg. WI/Calf 102/6

**NFS 060243**  
 SPN Mat. 136  
 Gold

**NFS 060399**  
 AFC 29 SPN Mat. 89  
 ICP 434 Age/Calv. 6/4  
 Avg. WI/Calf 97/2

**CSW 010022**  
 SPN Mat. 72

**FCT 010064**  
 SPN Mat. 91

**WAT 010034**  
 SPN Mat. 106


**FCT 980121**  
 SPN Mat. 90

**AG 020338**  
 SPN Mat. 111

**T 030046**  
 SPN Mat. 151

**ZAK 030013**  
 SPN Mat. 94

**NFS 040126**  
 SPN Mat. 90



**Lot 79A** 3-5 Mnde dragtig van MS  
 NAT HDT 16-077 (02/12/19-24/02/20)  
 KI SYF 15-155 (12/12/19)

**NFS 140039**  
 SPN Mat. 119  
 AFC 29  
 ICP 369  
 RI 114  
 Age/Calv. 5/4  
 Avg. WI/Calf 102/3

**NFS 100123**  
 SPN Mat. 103  
 Bronze

**NFS 100082**

**NFS 070163**  
 SPN Mat. 84  
 Silver

**NFS 060102**  
 AFC 25 SPN Mat. 101  
 ICP 419 Age/Calv. 14/11  
 Avg. WI/Calf 97/10

**NFS 060287**  
 SPN Mat. 108  
 Silver

**NFS 050167**  
 AFC 31 SPN Mat. 101  
 ICP 448 Age/Calv. 14/10  
 Avg. WI/Calf 100/9

**ZAK 030082**  
 SPN Mat. 65

**T 000089**  
 SPN Mat. 89

**KAN 010078**  
 SPN Mat. 87


**NFS 010064**  
 SPN Mat. 111

**VV 940061**  
 SPN Mat. 111

**NFS 010280**  
 SPN Mat. 102

**FCT 990022**  
 SPN Mat. 121

**NFS 950057**  
 SPN Mat. 90



**Lot 79B** 3-5 Mnde dragtig van MS  
 NAT HDT 16-077 (02/12/19-24/02/20)  
 KI MCU 17-037 (12/12/19)

**NFS 140355**  
 SPN Mat. 115  
 AFC 28  
 ICP 379  
 RI 114  
 Age/Calv. 4/3  
 Avg. WI/Calf 103/3

**CRV 100143**  
 SPN Mat. 123  
 Gold

**NFS 020080**  
 AFC 32 SPN Mat. 94  
 ICP 384 Age/Calv. 12/10  
 RI 110 Avg. WI/Calf 102/10

**ZAK 050115**  
 SPN Mat. 109

**VV 060125**  
 Elite-Gold  
 SPN Mat. 150

**SER 000031**  
 SPN Mat. 83  
 Gold

**NFS 990310**  
 AFC 35 SPN Mat. 101  
 ICP 379 Age/Calv. 5/3  
 Avg. WI/Calf 105/3

**VV 020258**  
 SPN Mat. 99

**ZAK 980059**  
 SPN Mat. 105

**VV 030016**  
 SPN Mat. 123


**VV 960119**  
 SPN Mat. 140

**NFS 950027**  
 SPN Mat. 87

**SER 960016**  
 SPN Mat. 94

**B 930190**  
 SPN Mat. 102

**NFS 920158**  
 SPN Mat. 100





## VROULIKE DIERE

Lot	Verkoper	ID	POENA	Gen	OUERS		Toets	Teelwaarde indekse										Dae Oop	Gebruiker Eie Opmerkings					
					VADER	MOEDER		Geb Dir		Speen Dir		Geb Mat	Speen Mat	Volwas Gew	Naspeen		GDT			VOV	SO	Hgt	Lgt	LHV
					GV OV	GV OV		Akk	Akk	Akk	Akk	Akk	365d Ind	540d Ind	Ind	Ind	(mm)			(mm)	(mm)	GGV	SGV	


### Dragtige Koeie

80 A	SERNICK BONSMARA STOET	NFS 140063	NFS 090081	NS365	<b>95</b>	<b>117</b>	<b>109</b>	<b>123</b>	<b>149</b>	<b>117</b>	<b>114</b>	<b>114</b>	<b>112</b>	<b>109</b>	<b>107</b>	-	209	3-5 Mnde dragtig van NFS 18-036 (02/12/19-24/02/20)
			NFS 060015		1.55	21.0	-0.61	10.2	63.0	33.5	163	-76	19.1	9	24	4.43	6.1	
		SP		21.04.14	31											33.9	4	
80 B	SERNICK BONSMARA STOET	NFS 140192	NFS 090081	NS540	<b>85</b>	<b>120</b>	<b>105</b>	<b>114</b>	<b>111</b>	<b>123</b>	<b>137</b>	<b>125</b>	<b>120</b>	<b>118</b>	<b>115</b>	-	212	3-5 Mnde dragtig van MS ;NAT NFS 18-036 (02/12/19-24/02/20) ;KI MCU 17-037 (12/12/19)
			NFS 100069		2.56	22.5	-0.44	7.7	21.0	37.9	269	-100	25.9	16	35	6.94	5.7	
		SP		27.09.14	34											48.9	4	
81 A	SERNICK BONSMARA STOET	NFS 140169	DKN 090345	NS540	<b>93</b>	<b>121</b>	<b>123</b>	<b>86</b>	<b>114</b>	<b>117</b>	<b>119</b>	<b>111</b>	<b>116</b>	<b>114</b>	<b>109</b>	-	208	3-5 Mnde dragtig van NFS 18-074 (02/12/19-24/02/20)
			NFS 100025		1.79	22.9	-1.23	0.0	25.0	33.6	184	-70	22.5	13	27	6.47	5.7	
		SP		21.09.14	33											45.5	4	
81 B	SERNICK BONSMARA STOET	NFS 140212	DKN 090345	NS540	<b>95</b>	<b>110</b>	<b>117</b>	<b>110</b>	<b>111</b>	<b>107</b>	<b>113</b>	<b>99</b>	<b>110</b>	<b>124</b>	<b>113</b>	-	252	3-5 Mnde dragtig van MS ;NAT NFS 18-036 (02/12/19-24/02/20) ;KI CEF 14-311 (12/12/19)
			NFS 100027 P		1.54	17.9	-0.98	6.6	22.0	26.7	158	-44	17.3	21	32	6.73	5.6	
		SP		01.10.14	33											44.7	3	
82 A	SERNICK BONSMARA STOET	NFS 170081	NFS 140019	NS365	<b>88</b>	<b>111</b>	<b>85</b>	<b>107</b>	<b>101</b>	<b>116</b>	<b>112</b>	<b>115</b>	<b>105</b>	<b>107</b>	<b>102</b>	-	432	3-5 Mnde dragtig van MS ;NAT HDT 16-077 (02/12/19-24/02/20) ;KI NFS 15-069 (12/12/19)
			NFS 110110	DNS	2.25	18.3	0.51	5.7	11.0	32.9	151	-79	14.0	7	17	4.93	3.1	
		SP		29.04.17	33											34.7	1	
82 B	SERNICK BONSMARA STOET	NFS 170250	JRP 120081	NS365	<b>81</b>	<b>132</b>	<b>119</b>	<b>78</b>	<b>138</b>	<b>132</b>	<b>116</b>	<b>115</b>	<b>104</b>	<b>110</b>	<b>118</b>	-	219	3-5 Mnde dragtig van MS ;NAT NFS 17-341 (02/12/19-24/02/20) ;KI CEF 13-548 (12/12/19)
			NFS 110103	DNS	3.05	27.7	-1.06	-2.2	52.0	43.9	169	-77	13.2	9	40	6.03	2.7	
		SP		18.09.17	35											40.2	1	


# SAAMGESTEL DEUR DIE SUID-AFRIKAANSE STAMBOEK- EN VEEVERBETERINGSVERENIGING

Veilingsdatum: 05/06/2020  
Data soos op 22/05/2020 14:33:37


**Lot 80A** 3-5 Mnde dragtig van NFS 18-036 (02/12/19-24/02/20)

<p><b>NFS 140063</b> SPN Mat. 123 OEK 30 TKP 369 RI 113 Oud/Kalw. 6/4 Gem. SI/Kalf 110/4</p>	<p><b>NFS 090081</b> SPN Mat. 120 Brons</p>  <p><b>NFS 060015</b></p>	<p><b>NFS 060243</b> SPN Mat. 136 Goud</p> <p><b>NFS 060282</b> SPN Mat. 92 Oud/Kalw. 4/2 Gem. SI/Kalf 86/2</p> <p><b>PER 000077</b> SPN Mat. 97 Goud</p> <p><b>NFS 920326</b> SPN Mat. 116 Oud/Kalw. 13/11 Gem. SI/Kalf 104/11</p>	<p><b>AG 020338</b> SPN Mat. 111 <b>T 030046</b> SPN Mat. 151 <b>ZAK 030013</b> SPN Mat. 94 <b>NFS 030147</b> SPN Mat. 115 <b>VV 940061</b> SPN Mat. 111 <b>PER 950026</b> SPN Mat. 92 <b>NFS J 0141</b> SPN Mat. 85 <b>NFS L 0263</b> SPN Mat. 119</p>
--	--	---	---


**Lot 80B** 3-5 Mnde dragtig van MS  
NAT NFS 18-036 (02/12/19-24/02/20)  
KI MCU 17-037 (12/12/19)

<p><b>NFS 140192</b> SPN Mat. 114 OEK 24 TKP 375 RI 120 Oud/Kalw. 5/4 Gem. SI/Kalf 100/4</p>	<p><b>NFS 090081</b> SPN Mat. 120 Brons</p>  <p>Elite-Brons <b>NFS 100069</b></p>	<p><b>NFS 060243</b> SPN Mat. 136 Goud</p> <p><b>NFS 060282</b> SPN Mat. 92 Oud/Kalw. 4/2 Gem. SI/Kalf 86/2</p> <p><b>NFS 060287</b> SPN Mat. 108 Silver Elite-Goud</p> <p><b>NFS 040093</b> SPN Mat. 108 Oud/Kalw. 14/12 Gem. SI/Kalf 98/11</p>	<p><b>AG 020338</b> SPN Mat. 111 <b>T 030046</b> SPN Mat. 151 <b>ZAK 030013</b> SPN Mat. 94 <b>NFS 030147</b> SPN Mat. 115 <b>VV 940061</b> SPN Mat. 111 <b>PER 010280</b> SPN Mat. 102 <b>NFS 960350</b> SPN Mat. 117 <b>NFS 970208</b> SPN Mat. 96</p>
--	--	--	--


**Lot 81A** 3-5 Mnde dragtig van NFS 18-074 (02/12/19-24/02/20)

<p><b>NFS 140169</b> SPN Mat. 86 OEK 24 TKP 374 RI 119 Oud/Kalw. 5/4 Gem. SI/Kalf 104/3</p>	<p><b>DKN 090345</b> SPN Mat. 74</p>  <p><b>NFS 100025</b></p>	<p><b>GJN 030098</b> SPN Mat. 58 Brons Elite-Goud</p> <p><b>DKN 040054</b> SPN Mat. 110 Oud/Kalw. 10/7 Gem. SI/Kalf 103/7</p> <p><b>NFS 060287</b> SPN Mat. 108 Silver</p> <p><b>NFS 050190</b> SPN Mat. 100 Oud/Kalw. 12/10 Gem. SI/Kalf 99/8</p>	<p><b>RCO 980082</b> SPN Mat. 63 <b>GJN 990013</b> SPN Mat. 91 <b>RGR 960095</b> SPN Mat. 96 <b>DKN 990053</b> SPN Mat. 114 <b>VV 940061</b> SPN Mat. 111 <b>NFS 010280</b> SPN Mat. 102 <b>FCT 000188</b> SPN Mat. 70 <b>NFS 980320</b> SPN Mat. 103</p>
---	---	--	---


**Lot 81B** 3-5 Mnde dragtig van MS  
NAT NFS 18-036 (02/12/19-24/02/20)  
KI CEF 14-311 (12/12/19)

<p><b>NFS 140212</b> SPN Mat. 110 OEK 35 TKP 372 RI 104 Oud/Kalw. 5/3 Gem. SI/Kalf 104/3</p>	<p><b>DKN 090345</b> SPN Mat. 74</p>  <p><b>NFS 100027 P</b></p>	<p><b>GJN 030098</b> SPN Mat. 58 Brons Elite-Goud</p> <p><b>DKN 040054</b> SPN Mat. 110 Oud/Kalw. 10/7 Gem. SI/Kalf 103/7</p> <p><b>NFS 060243</b> SPN Mat. 136 Goud</p> <p><b>NFS 070324</b> SPN Mat. 129 Oud/Kalw. 7/5 Gem. SI/Kalf 104/5</p>	<p><b>RCO 980082</b> SPN Mat. 63 <b>GJN 990013</b> SPN Mat. 91 <b>RGR 960095</b> SPN Mat. 96 <b>DKN 990053</b> SPN Mat. 114 <b>AG 020338</b> SPN Mat. 111 <b>T 030046</b> SPN Mat. 151 <b>RGR 030116</b> SPN Mat. 83 <b>NFS 020156 P</b> SPN Mat. 125</p>
--	---	---	---

**Lot 82A** 3-5 Mnde dragtig van MS  
NAT HDT 16-077 (02/12/19-24/02/20)  
KI NFS 15-069 (12/12/19)

<p><b>NFS 170081</b> SPN Mat. 107 OEK 23 TKP RI 132 Oud/Kalw. 2/1 Gem. SI/Kalf 103/1</p>	<p><b>NFS 140019</b> SPN Mat. 105</p>  <p>Elite-Brons <b>NFS 110110</b></p>	<p><b>LAR 070037</b> SPN Mat. 98</p> <p>Elite-Goud <b>NFS 040120</b></p> <p><b>NFS 060243</b> SPN Mat. 136 Goud</p> <p><b>NFS 010162</b> SPN Mat. 94 Oud/Kalw. 14/11 Gem. SI/Kalf 99/10</p>	<p><b>BG 040088</b> SPN Mat. 112 <b>LAR 040240</b> SPN Mat. 102 <b>NFS 960350</b> SPN Mat. 117 <b>NFS 980244</b> SPN Mat. 106 <b>AG 020338</b> SPN Mat. 111 <b>T 030046</b> SPN Mat. 151 <b>NFS 970007</b> SPN Mat. 111 <b>NFS 950057</b> SPN Mat. 90</p>
--	--	---	---

**Lot 82B** 3-5 Mnde dragtig van MS  
NAT NFS 17-341 (02/12/19-24/02/20)  
KI CEF 13-548 (12/12/19)

<p><b>NFS 170250</b> SPN Mat. 78 OEK 25 TKP RI 125 Oud/Kalw. 2/1 Gem. SI/Kalf 96/1</p>	<p><b>JRP 120081</b> SPN Mat. 59</p>  <p><b>NFS 110103</b></p>	<p><b>LAR 070055</b> SPN Mat. 81</p> <p>Elite-Goud <b>JRP 010030</b></p> <p><b>NFS 080168</b> SPN Mat. 88 Brons</p> <p><b>NFS 080128</b> SPN Mat. 130 Oud/Kalw. 4/3 Gem. SI/Kalf 109/3</p>	<p><b>BG 040088</b> SPN Mat. 112 <b>LAR 040160</b> SPN Mat. 80 <b>BP 960054</b> SPN Mat. 88 <b>HES 930020</b> SPN Mat. 75 <b>RGR 030116</b> SPN Mat. 83 <b>T 030095</b> SPN Mat. 117 <b>NFS 050325</b> SPN Mat. 122 <b>NFS 050199</b> SPN Mat. 119</p>
--	---	--	--

**FEMALE ANIMALS**

Lot	Seller	ID POLLED Gen	PARENTS		Test Genomic Tested DNA Birth Date	Breeding Value Indexes										Days Open	Breeder Own Remarks			
			SIRE GV PV	DAM GV PV		DIRECT CALF TRAITS		DAUGHTER TRAITS			GROWTH		EFF.	REP	MEASUREMENTS			R:		
						Progeny Birth Weight	Progeny Wean Weight	Ease of Calving	Milk prod.	Mature Weight	Post Wean Weight	Daily Gain	Feed Conv					Height & Length		
						Birth Dir	Wean Dir	Birth Mat	Wean Mat	Mat Wgt	Post Wean	ADG	FCR	SC	Hgt	Lgt	LHR	Age		
						Acc	Acc	Acc	Acc	Acc	Acc	Acc	Acc	Acc	Acc	Acc	Acc	Calves		
						Wgt kg	Wgt kg Ind	kg	kg	kg	365d Ind	540d Ind	Ind	Ind	(mm)	(mm)	(mm)			

**Pregnant Cows**

83 A	SERNICK BONSMARA STOET	NFS 170132	NFS 110101 <input checked="" type="checkbox"/>	PW365	<b>93</b>	<b>108</b>	<b>113</b>	<b>94</b>	<b>104</b>	<b>107</b>	<b>100</b>	<b>108</b>	<b>102</b>	<b>97</b>	<b>100</b>	-	251	3-5 Mnde dragtig van MS ;NAT AJF 16-574 (02/12/19-24/02/20) ;KI CEF 14-311 (12/12/19)
		SP	ZVJ 130032	DNA	1.73 80	16.7 75	-0.80 64	2.2 61	14.0 54	26.8 63	96 55	-64 52	11.3 56	-1 56	15 56	5.45	3	
				12.05.17	36											36.3	1	
83 B	SERNICK BONSMARA STOET	NFS 170221	PER 130086	PW365	<b>107</b>	<b>104</b>	<b>113</b>	<b>86</b>	<b>99</b>	<b>106</b>	<b>110</b>	<b>103</b>	<b>100</b>	<b>99</b>	<b>103</b>	-	225	3-5 Mnde dragtig van MS ;NAT NFS 17-341 (02/12/19-24/02/20) ;KI CEF 13-548 (12/12/19)
		SP	NFS 150109 P	DNA	0.32 76	15.3 70	-0.79 56	-0.1 48	9.0 40	26.2 52	142 48	-54 50	9.8 51	0 52	19 51	6.82	2.7	
				09.09.17	30											44.7	1	
84 A	SERNICK BONSMARA STOET	NFS 170251	NFS 150069	PW365	<b>107</b>	<b>104</b>	<b>122</b>	<b>108</b>	<b>94</b>	<b>107</b>	<b>106</b>	<b>105</b>	<b>113</b>	<b>104</b>	<b>111</b>	-	249	3-5 Mnde dragtig van MS ;NAT ABB 16-508 (02/12/19-24/02/20) ;KI MCU 17-037 (12/12/19)
		SP	NFS 100144	DNA	0.32 78	15.2 73	-1.21 59	6.0 55	3.0 42	26.5 58	122 54	-57 56	20.4 55	5 57	29 56	5.32	2.7	
				19.09.17	30											41.2	1	
84 B	SERNICK BONSMARA STOET	NFS 170397	CEF 110301 <input checked="" type="checkbox"/>	PW365	<b>99</b>	<b>116</b>	<b>122</b>	<b>85</b>	<b>99</b>	<b>108</b>	<b>97</b>	<b>93</b>	<b>110</b>	<b>107</b>	<b>111</b>	-	227	3-5 Mnde dragtig van MS ;NAT NFS 17-341 (02/12/19-24/02/20) ;KI LAR 14-064 (12/12/19)
		SP	NFS 080180	DNA	1.14 79	20.4 75	-1.19 66	-0.2 63	9.0 53	27.3 63	83 59	-32 57	17.9 61	7 62	30 61	6.32	2.6	
				21.10.17	34											42.1	1	
85 A	SERNICK BONSMARA STOET	NFS 170072	NFS 140055	PW365	<b>99</b>	<b>100</b>	<b>98</b>	<b>107</b>	<b>92</b>	<b>101</b>	<b>97</b>	<b>97</b>	<b>103</b>	<b>101</b>	<b>101</b>	-	238	3-5 Mnde dragtig van MS ;NAT NFS 17-207 (02/12/19-24/02/20) ;KI CEF 14-311 (12/12/19)
		SP	NFS 130001	DNA	1.16 76	13.4 69	-0.12 56	5.6 49	1.0 40	22.6 52	83 46	-39 46	12.0 49	3 50	16 48	4.86	3.1	
				27.04.17	32											36.1	1	
85 B	SERNICK BONSMARA STOET	NFS 170319	CEF 110301 <input checked="" type="checkbox"/>	PW365	<b>91</b>	<b>124</b>	<b>99</b>	<b>100</b>	<b>113</b>	<b>122</b>	<b>125</b>	<b>110</b>	<b>111</b>	<b>115</b>	<b>123</b>	-	219	7-9 Mnde dragtig van HDT 16-077 (01/07/19-09/09/19)
		SP	NFS 060323	DNA	1.99 80	24.2 76	-0.17 66	3.7 64	24.0 54	37.4 65	213 60	-67 58	18.4 62	14 63	45 62	6.66	2.6	
				30.09.17	40											43.9	1	

1.02	13.3	-0.19	3.8	10	21.7	96	-46	9.6	2	14
------	------	-------	-----	----	------	----	-----	-----	---	----

**Lot 83A** 3-5 Mnde dragtig van MS  
 NAT AJF 16-574 (02/12/19-24/02/20)  
 KI CEF 14-311 (12/12/19)

**NFS 170132**  
 SPN Mat. 94  
 AFC 28  
 ICP  
 RI 115  
 Age/Calv. 2/1  
 Avg. WI/Calf 97/1

**NFS 110101**  
 SPN Mat. 100  
 Silver

**NFS 080032**  
 SPN Mat. 119  
 Gold

**NFS 000257**  
 AFC 31 SPN Mat. 108  
 ICP 378 Age/Calv. 14/12  
 Avg. WI/Calf 98/12

**FCT 050127**  
 SPN Mat. 74

**ZVJ 130032**  
 AFC 36 SPN Mat. 83  
 ICP 363 Age/Calv. 7/5  
 RI 107 Avg. WI/Calf 96/4

**NFS 050325**  
 SPN Mat. 122

**NFS 060055**  
 SPN Mat. 139

**NFS 960350**  
 SPN Mat. 117

**NFS 960197**  
 SPN Mat. 109

**CSW 010022**  
 SPN Mat. 72

**FCT 010064**  
 SPN Mat. 91

**HJS 990046**  
 SPN Mat. 147

**HJS 000226**  
 SPN Mat. 114

**Elite-Gold**

**HJS 040233**  
 AFC 36 SPN Mat. 121  
 ICP 392 Age/Calv. 13/10  
 Avg. WI/Calf 103/9

**Lot 83B** 3-5 Mnde dragtig van MS  
 NAT NFS 17-341 (02/12/19-24/02/20)  
 KI CEF 13-548 (12/12/19)

**NFS 170221**  
 SPN Mat. 86  
 AFC 25  
 ICP  
 RI 124  
 Age/Calv. 2/1  
 Avg. WI/Calf 99/1

**PER 130086**  
 SPN Mat. 100  
 Gold

**NFS 150109 P**  
 AFC 28 SPN Mat. 77  
 ICP 471 Age/Calv. 5/3  
 RI 104 Avg. WI/Calf 92/2

**PHR 100348**  
 SPN Mat. 127

**PER 100046**  
 AFC 37 SPN Mat. 75  
 ICP 381 Age/Calv. 9/7  
 Avg. WI/Calf 99/6

**NFS 110101**  
 SPN Mat. 100  
 Silver

**NFS 110006**  
 AFC 25 SPN Mat. 76  
 ICP 362 Age/Calv. 9/8  
 Avg. WI/Calf 97/8

**PHR 060150**  
 SPN Mat. 118

**PHR 060301**  
 SPN Mat. 117

**PER 060117**  
 SPN Mat. 64

**PER 040080**  
 SPN Mat. 78

**NFS 080032**  
 SPN Mat. 119

**NFS 000257**  
 SPN Mat. 108

**NFS 050252**  
 SPN Mat. 82

**NFS 090006**  
 SPN Mat. 94

**Lot 84A** 3-5 Mnde dragtig van MS  
 NAT ABB 16-508 (02/12/19-24/02/20)  
 KI MCU 17-037 (12/12/19)

**NFS 170251**  
 SPN Mat. 108  
 AFC 24  
 ICP  
 RI 128  
 Age/Calv. 2/1  
 Avg. WI/Calf 95/1

**NFS 150069**  
 SPN Mat. 98

**FCT 120053**  
 SPN Mat. 85

**SSK 060043**  
 AFC 34 SPN Mat. 107  
 ICP 388 Age/Calv. 13/11  
 Avg. WI/Calf 101/10

**NFS 060243**  
 SPN Mat. 136  
 Gold

**NFS 100144**  
 AFC 31 SPN Mat. 122  
 ICP 441 Age/Calv. 9/6  
 RI 101 Avg. WI/Calf 103/6

**FCT 080201**  
 SPN Mat. 110

**FCT 080094**  
 SPN Mat. 83

**BHE 010114**  
 SPN Mat. 80

**SSK 010016**  
 SPN Mat. 116

**AG 020338**  
 SPN Mat. 111

**T 030046**  
 SPN Mat. 151

**RGR 030116**  
 SPN Mat. 83

**NFS 040284**  
 SPN Mat. 103

**NFS 070026**  
 AFC 29 SPN Mat. 93  
 ICP 394 Age/Calv. 3/2  
 Avg. WI/Calf 98/2

**Lot 84B** 3-5 Mnde dragtig van MS  
 NAT NFS 17-341 (02/12/19-24/02/20)  
 KI LAR 14-064 (12/12/19)

**NFS 170397**  
 SPN Mat. 85  
 AFC 24  
 ICP  
 RI 129  
 Age/Calv. 2/1  
 Avg. WI/Calf 104/1

**CEF 110301**  
 SPN Mat. 77

**Elite-Gold**

**NFS 080180**  
 AFC 25 SPN Mat. 98  
 ICP 370 Age/Calv. 11/10  
 RI 117 Avg. WI/Calf 102/9

**CEF 080338**  
 SPN Mat. 93

**CEF 080218**  
 AFC 29 SPN Mat. 94  
 ICP 370 Age/Calv. 7/6  
 Avg. WI/Calf 103/6

**RGR 030116**  
 SPN Mat. 83

**NFS 050248**  
 AFC 35 SPN Mat. 124  
 ICP 460 Age/Calv. 10/7  
 Avg. WI/Calf 104/5

**VV 040046**  
 SPN Mat. 113

**CEF 020109**  
 SPN Mat. 105

**CEF 060473**  
 SPN Mat. 102

**CEF 030199**  
 SPN Mat. 71

**RGR 970055**  
 SPN Mat. 121

**RGR 960015**  
 SPN Mat. 75

**DFP 000173**  
 SPN Mat. 124

**NFS 990145**  
 SPN Mat. 108

**Lot 85A** 3-5 Mnde dragtig van MS  
 NAT NFS 17-207 (02/12/19-24/02/20)  
 KI CEF 14-311 (12/12/19)

**NFS 170072**  
 SPN Mat. 107  
 AFC 29  
 ICP  
 RI 112  
 Age/Calv. 2/1  
 Avg. WI/Calf 95/1

**NFS 140055**  
 SPN Mat. 105

**DKN 090345**  
 SPN Mat. 74

**NFS 110135**  
 AFC 30 SPN Mat. 121  
 ICP 407 Age/Calv. 8/6  
 Avg. WI/Calf 106/4

**AG 070458**  
 SPN Mat. 85

**NFS 130001**  
 AFC 29 SPN Mat. 102  
 ICP 499 Age/Calv. 7/4  
 RI 96 Avg. WI/Calf 98/4

**GJN 030098**  
 SPN Mat. 58

**DKN 040054**  
 SPN Mat. 110

**NFS 060243**  
 SPN Mat. 136

**NFS 020080**  
 SPN Mat. 94

**AG 010245**  
 SPN Mat. 68

**AG 000415**  
 SPN Mat. 112

**NFS 060243**  
 SPN Mat. 136

**NFS 070048**  
 SPN Mat. 77

**Elite-Gold**

**NFS 090086**  
 AFC 30 SPN Mat. 121  
 ICP 368 Age/Calv. 10/8  
 Avg. WI/Calf 106/8

**Lot 85B** 7-9 Mnde dragtig van HDT 16-077 (01/07/19-09/09/19)

**NFS 170319**  
 SPN Mat. 100  
 AFC 25  
 ICP  
 RI 126  
 Age/Calv. 2/1  
 Avg. WI/Calf 98/1

**CEF 110301**  
 SPN Mat. 77

**Elite-Gold**

**NFS 060323**  
 AFC 24 SPN Mat. 121  
 ICP 363 Age/Calv. 13/12  
 RI 119 Avg. WI/Calf 103/12

**CEF 080338**  
 SPN Mat. 93

**CEF 080218**  
 AFC 29 SPN Mat. 94  
 ICP 370 Age/Calv. 7/6  
 Avg. WI/Calf 103/6

**T 030005**  
 SPN Mat. 113

**NFS 000030**  
 AFC 30 SPN Mat. 111  
 ICP 405 Age/Calv. 8/6  
 Avg. WI/Calf 110/5

**VV 040046**  
 SPN Mat. 113

**CEF 020109**  
 SPN Mat. 105

**CEF 060473**  
 SPN Mat. 102

**CEF 030199**  
 SPN Mat. 71

**FCT 960024**  
 SPN Mat. 83

**T 000032**  
 SPN Mat. 112

**NFS 910007**  
 SPN Mat. 96

**NFS 970264**  
 SPN Mat. 107

## VROULIKE DIERE

Lot	Verkoper	ID	OUERS	Toets	Teelwaarde indekse												Dae Oop	Gebruiker Eie Opmerkings					
					VADER GV OV	Genomies Getoets	Geb Dir		Speen Dir		Geb Mat	Speen Mat	Volwas- se Gew	Naspeen		GDT			VOV	SO	Hgt	Lgt	LHV
							DNS	Akk	Akk	Akk	Akk	Akk	Akk	Akk	Akk	Akk			Akk	Akk	Akk	Akk	Akk
		POENA	MOEDER GV OV	Geb. dat.	Gew kg	Gew kg	Ind	kg	kg	kg	365d Ind	540d Ind	Ind	Ind	(mm)	(mm)	(mm)	SGV	Kalwers				

### Dragtige Koeie

86 A	SERNICK BONSMARA STOET	NFS 170018	CEF 110301	NS365	<b>102</b>	<b>104</b>	<b>98</b>	<b>105</b>	<b>105</b>	<b>109</b>	<b>110</b>	<b>107</b>	<b>115</b>	<b>104</b>	<b>112</b>	-	237	3-5 Mnde dragtig van MS ;NAT ABB 16-508 (02/12/19-24/02/20) ;KI MCU 17-037 (12/12/19)
			NFS 060318		0.76 79	15.0 75	-0.11 67	5.3 64	16.0 56	27.8 60	142 59	-60 55	21.3 61	5 61	31 61	5.42	3.1	
		SP		09.04.17	35											33.3	1	
86 B	SERNICK BONSMARA STOET	NFS 170277	NFS 150069	NS365	<b>95</b>	<b>109</b>	<b>117</b>	<b>108</b>	<b>106</b>	<b>112</b>	<b>110</b>	<b>107</b>	<b>111</b>	<b>99</b>	<b>108</b>	-	258	3-5 Mnde dragtig van MS ;NAT AJF 16-574 (02/12/19-24/02/20) ;KI MCU 17-037 (12/12/19)
			NFS 090041	DNS	1.50 79	17.5 74	-0.98 60	5.9 56	16.0 38	30.4 57	143 57	-62 59	18.4 59	0 60	26 60	5.78	2.7	
		SP		24.09.17	34											44.2	1	
87 A	SERNICK BONSMARA STOET	NFS 170017	NFS 140019	NS365	<b>83</b>	<b>121</b>	<b>72</b>	<b>91</b>	<b>92</b>	<b>129</b>	<b>114</b>	<b>118</b>	<b>111</b>	<b>114</b>	<b>110</b>	-	388	3-5 Mnde dragtig van MS ;NAT NFS 18-090 (02/12/19-24/02/20) ;KI NFS 15-069 (12/12/19)
			NFS 100198	DNS	2.81 78	22.9 74	1.10 59	1.4 63	1.0 54	41.9 56	159 51	-84 53	18.2 54	13 55	28 53	4.76	3.1	
		SP		09.04.17	33											39.2	1	
87 B	SERNICK BONSMARA STOET	NFS 170131	CEF 120418	NS365	<b>102</b>	<b>107</b>	<b>95</b>	<b>76</b>	<b>98</b>	<b>117</b>	<b>108</b>	<b>104</b>	<b>100</b>	<b>100</b>	<b>101</b>	-	327	3-5 Mnde dragtig van MS ;NAT NFS 18-090 (02/12/19-24/02/20) ;KI LAR 14-064 (12/12/19)
			NFS 140242	DNS	0.82 77	16.4 73	0.02 59	-2.8 62	7.0 54	33.5 55	132 51	-54 52	9.6 54	2 54	15 53	5.74	3	
		SP		12.05.17	31											43.5	1	
88 A	SERNICK BONSMARA STOET	NFS 170001	NFS 140019	NS365	<b>87</b>	<b>117</b>	<b>83</b>	<b>96</b>	<b>104</b>	<b>118</b>	<b>121</b>	<b>119</b>	<b>104</b>	<b>121</b>	<b>111</b>	-	221	3-5 Mnde dragtig van MS ;NAT NFS 17-207 (02/12/19-24/02/20) ;KI SYF 15-155 (12/12/19)
			ZVJ 100120	DNS	2.45 79	21.0 74	0.57 60	2.8 56	14.0 47	34.1 57	193 50	-86 51	12.9 53	19 54	30 53	5	3.2	
		SP		28.03.17	34											40	1	
88 B	SERNICK BONSMARA STOET	NFS 170035	NFS 140056	NS365	<b>82</b>	<b>128</b>	<b>90</b>	<b>90</b>	<b>113</b>	<b>132</b>	<b>113</b>	<b>110</b>	<b>120</b>	<b>110</b>	<b>111</b>	-	255	3-5 Mnde dragtig van MS ;NAT ABB 16-508 (02/12/19-24/02/20) ;KI NFS 15-069 (12/12/19)
			ZVJ 090010	DNS	2.93 79	26.0 74	0.27 58	1.2 54	24.0 39	44.0 60	158 50	-68 47	25.9 52	10 53	30 52	5.32	3.1	
		SP		15.04.17	37											41.3	1	



# SAAMGESTEL DEUR DIE SUID-AFRIKAANSE STAMBOEK- EN VEEVERBETERINGSVERENIGING

**Lot 86A** 3-5 Mnde dragtig van MS  
NAT ABB 16-508 (02/12/19-24/02/20)  
KI MCU 17-037 (12/12/19)

**NFS 170018**  
SPN Mat. 105  
OEK 30  
TKP  
RI 110  
Oud/Kalw. 2/1  
Gem. SI/Kalf 99/1

**CEP 110301**  
SPN Mat. 77

**NFS 060318**

**CEP 080338**  
SPN Mat. 93

**CEP 080218**  
OEK 29 SPN Mat. 94  
TKP 370 Oud/Kalw. 7/6  
Gem. SI/Kalf 103/6

**FCT 990022**  
SPN Mat. 121

**T 960066**  
OEK 30 SPN Mat. 125  
TKP 387 Oud/Kalw. 12/10  
Gem. SI/Kalf 104/10

**VV 040046**  
SPN Mat. 113  
**CEP 020109**  
SPN Mat. 105  
**CEP 060473**  
SPN Mat. 102  
**CEP 030199**  
SPN Mat. 71  
**EI 920079**  
SPN Mat. 129  
**RE 940025**  
SPN Mat. 110  
**AG K 0084**  
SPN Mat. 137  
**T K 0040**  
SPN Mat. 86

**Lot 86B** 3-5 Mnde dragtig van MS  
NAT AJF 16-574 (02/12/19-24/02/20)  
KI MCU 17-037 (12/12/19)

**NFS 170277**  
SPN Mat. 108  
OEK 23  
TKP  
RI 129  
Oud/Kalw. 2/1  
Gem. SI/Kalf 101/1

**NFS 150069**  
SPN Mat. 98

**NFS 090041**

**FCT 120053**  
SPN Mat. 85

**SSK 060043**  
OEK 34 SPN Mat. 107  
TKP 388 Oud/Kalw. 13/11  
Gem. SI/Kalf 101/10

**ZAK 030056**  
SPN Mat. 75

**T 030095**  
OEK 27 SPN Mat. 117  
TKP 395 Oud/Kalw. 6/4  
Gem. SI/Kalf 100/4

**FCT 080201**  
SPN Mat. 110  
**FCT 080094**  
SPN Mat. 83  
**BHE 010114**  
SPN Mat. 80  
**SSK 010016**  
SPN Mat. 116  
**LAR 000017**  
SPN Mat. 69  
**ZAK 010016**  
SPN Mat. 114  
**DFP 000173**  
SPN Mat. 124  
**T 950050**  
SPN Mat. 108

**Lot 87A** 3-5 Mnde dragtig van MS  
NAT NFS 18-090 (02/12/19-24/02/20)  
KI NFS 15-069 (12/12/19)

**NFS 170017**  
SPN Mat. 91  
OEK 25  
TKP  
RI 125  
Oud/Kalw. 2/1  
Gem. SI/Kalf 109/1

**NFS 140019**  
SPN Mat. 105

**NFS 100198**

**LAR 070037**  
SPN Mat. 98

**NFS 040120**  
OEK 26 SPN Mat. 119  
TKP 381 Oud/Kalw. 12/10  
Gem. SI/Kalf 103/9

**NFS 050252**  
SPN Mat. 82  
Goud

**NFS 080132**  
OEK 29 SPN Mat. 81  
TKP 391 Oud/Kalw. 10/8  
Gem. SI/Kalf 98/7

**BG 040088**  
SPN Mat. 112  
**LAR 040240**  
SPN Mat. 102  
**NFS 960350**  
SPN Mat. 117  
**NFS 980244**  
SPN Mat. 106  
**FCT 000188**  
SPN Mat. 70  
**NFS 000030**  
SPN Mat. 111  
**RGR 030116**  
SPN Mat. 83  
**NFS 030205**  
SPN Mat. 103

**Lot 87B** 3-5 Mnde dragtig van MS  
NAT NFS 18-090 (02/12/19-24/02/20)  
KI LAR 14-064 (12/12/19)

**NFS 170131 P**  
SPN Mat. 76  
OEK 26  
TKP  
RI 122  
Oud/Kalw. 2/1  
Gem. SI/Kalf 97/1

**CEP 120418**  
SPN Mat. 54

**NFS 140242 P**

**CEP 080426**  
SPN Mat. 62

**CEP 080204**  
OEK 29 SPN Mat. 74  
TKP 398 Oud/Kalw. 9/7  
Gem. SI/Kalf 97/7

**DKN 090345**  
SPN Mat. 74

**NFS 120132 P**  
OEK 24 SPN Mat. 115  
TKP 418 Oud/Kalw. 7/5  
Gem. SI/Kalf 103/6

**CEP 040460**  
SPN Mat. 102  
**CEP 000050**  
SPN Mat. 110  
**CEP 050355**  
SPN Mat. 80  
**CEP 040150**  
SPN Mat. 97  
**GJN 030098**  
SPN Mat. 58  
**DKN 040054**  
SPN Mat. 110  
**NFS 090036**  
SPN Mat. 135  
**NFS 040318**  
SPN Mat. 93

**Lot 88A** 3-5 Mnde dragtig van MS  
NAT NFS 17-207 (02/12/19-24/02/20)  
KI SYF 15-155 (12/12/19)

**NFS 170001**  
SPN Mat. 96  
OEK 31  
TKP  
RI 107  
Oud/Kalw. 3/1  
Gem. SI/Kalf 116/1

**NFS 140019**  
SPN Mat. 105

**ZVJ 100120**

**LAR 070037**  
SPN Mat. 98

**NFS 040120**  
OEK 26 SPN Mat. 119  
TKP 381 Oud/Kalw. 12/10  
Gem. SI/Kalf 103/9

**BEI 070107**  
SPN Mat. 122

**LBS 990005**  
OEK 36 SPN Mat. 87  
TKP 380 Oud/Kalw. 11/9  
Gem. SI/Kalf 97/7

**BG 040088**  
SPN Mat. 112  
**LAR 040240**  
SPN Mat. 102  
**NFS 960350**  
SPN Mat. 117  
**NFS 980244**  
SPN Mat. 106  
**BEI 020134**  
SPN Mat. 88  
**BEI 040046**  
SPN Mat. 102  
**HJS 970048**  
SPN Mat. 115  
**LBS 960007**  
SPN Mat. 82

**Lot 88B** 3-5 Mnde dragtig van MS  
NAT ABB 16-508 (02/12/19-24/02/20)  
KI NFS 15-069 (12/12/19)

**NFS 170035**  
SPN Mat. 90  
OEK 29  
TKP  
RI 113  
Oud/Kalw. 2/1  
Gem. SI/Kalf 96/1

**NFS 140056**  
SPN Mat. 77  
Brons

**ZVJ 090010**

**NFS 110101**  
SPN Mat. 100  
Silver

**NFS 100230**  
OEK 29 SPN Mat. 65  
TKP 425 Oud/Kalw. 9/7  
Gem. SI/Kalf 92/6

**HJS 030220**  
SPN Mat. 127

**HJS 030017**  
OEK 31 SPN Mat. 82  
TKP 431 Oud/Kalw. 8/6  
Gem. SI/Kalf 95/6

**NFS 080032**  
SPN Mat. 119  
**NFS 000257**  
SPN Mat. 108  
**NFS 070151**  
SPN Mat. 79  
**NFS 080228**  
SPN Mat. 87  
**AG 920282**  
SPN Mat. 113  
**HJS 960240**  
SPN Mat. 142  
**EI 980080**  
SPN Mat. 88  
**HJS 000094**  
SPN Mat. 103

## FEMALE ANIMALS

Lot	Seller	ID	PARENTS	Test	Breeding Value Indexes											Days Open	Breeder Own Remarks						
					SIRE GV PV	Genomic Tested	Birth Dir		Wean Dir		Birth Mat	Wean Mat	Mat Wgt	Post Wean				ADG	FCR	SC	Hgt	Lgt	LHR
							DNA	Acc	Acc	Acc	Acc	Acc	Acc	Acc	Acc			Acc	Acc	Acc	Acc	Acc	Acc
		Gen	DAM GV PV	Birth Date	Wgt kg	Wgt kg	Ind	kg	kg	kg	365d Ind	540d Ind	Ind	Ind	(mm)	(mm)	(mm)	WWR	Age	Calves			


## Pregnant Cows

89 A	SERNICK BONSMARA STOET	NFS 170170	DAJ 120017 <input checked="" type="checkbox"/>	PW365	<b>75</b>	<b>131</b>	<b>77</b>	<b>86</b>	<b>111</b>	<b>129</b>	<b>126</b>	<b>113</b>	<b>113</b>	<b>112</b>	<b>117</b>	-	432	3-5 Mnde dragtig van MS ;NAT HDT 16-077 (02/12/19-24/02/20) ;KI NFS 15-069 (12/12/19)
		SP	NFS 140036	DNA	3.69	27.4	0.87	0.0	21.0	41.8	217	-73	19.8	11	38	5.81	3	
				05.06.17	36											45.3	1	
89 B	SERNICK BONSMARA STOET	NFS 170209	JRP 120081 <input checked="" type="checkbox"/>	PW365	<b>86</b>	<b>117</b>	<b>106</b>	<b>87</b>	<b>105</b>	<b>118</b>	<b>112</b>	<b>101</b>	<b>105</b>	<b>109</b>	<b>114</b>	-	230	3-5 Mnde dragtig van MS ;NAT NFS 17-341 (02/12/19-24/02/20) ;KI CEF 13-548 (12/12/19)
		SP	ZVJ 100123	DNA	2.51	21.2	-0.44	0.3	15.0	34.2	153	-49	13.7	9	34	6.29	2.7	
				04.09.17	33											43.4	1	
90 B	SERNICK BONSMARA STOET	NFS 170217	JRP 120081 <input checked="" type="checkbox"/>	PW365	<b>78</b>	<b>123</b>	<b>116</b>	<b>90</b>	<b>121</b>	<b>124</b>	<b>120</b>	<b>118</b>	<b>105</b>	<b>105</b>	<b>112</b>	-	237	3-5 Mnde dragtig van MS ;NAT NFS 17-341 (02/12/19-24/02/20) ;KI CEF 13-548 (12/12/19)
		SP	ZVJ 120016	DNA	3.40	23.8	-0.92	1.1	33.0	38.7	188	-83	13.4	6	31	5.74	2.7	
				07.09.17	35											34.1	1	
91 A	SERNICK BONSMARA STOET	NFS 170264	NFS 130127 <input checked="" type="checkbox"/>	PW365	<b>84</b>	<b>114</b>	<b>106</b>	<b>108</b>	<b>117</b>	<b>124</b>	<b>118</b>	<b>123</b>	<b>103</b>	<b>108</b>	<b>109</b>	-	229	3-5 Mnde dragtig van ABB 16-508 (02/12/19-24/02/20)
		SP	NFS 100227	DNA	2.72	19.7	-0.47	6.1	28.0	38.7	180	-95	12.3	8	26	5.34	2.7	
				21.09.17	34											37.5	1	
91 B	SERNICK BONSMARA STOET	NFS 170369	AG 140219 <input checked="" type="checkbox"/>	PW365	<b>103</b>	<b>105</b>	<b>125</b>	<b>91</b>	<b>82</b>	<b>103</b>	<b>106</b>	<b>106</b>	<b>105</b>	<b>97</b>	<b>101</b>	-	232	3-5 Mnde dragtig van MS ;NAT ABB 16-508 (02/12/19-24/02/20) ;KI NFS 15-069 (12/12/19)
		SP	ZVJ 120030	DNA	0.71	15.4	-1.32	1.4	-10.0	24.0	122	-59	13.5	-1	16	6.85	2.6	
				11.10.17	32											45.4	1	
92 A	SERNICK BONSMARA STOET	NFS 170102	NFS 140151 <input checked="" type="checkbox"/>	PW365	<b>81</b>	<b>113</b>	<b>118</b>	<b>114</b>	<b>100</b>	<b>106</b>	<b>90</b>	<b>93</b>	<b>109</b>	<b>103</b>	<b>103</b>	-	252	3-5 Mnde dragtig van MS ;NAT ABB 16-508 (02/12/19-24/02/20) ;KI MCU 17-037 (12/12/19)
		SP	NFS 130152	DNA	3.03	19.3	-1.03	7.7	10.0	26.2	52	-31	17.1	4	18	6.38	3.1	
				02.05.17	38											50.4	1	

1.02	13.3	-0.19	3.8	10	21.7	96	-46	9.6	2	14
------	------	-------	-----	----	------	----	-----	-----	---	----

**Lot 89A** 3-5 Mnde dragtig van MS  
NAT HDT 16-077 (02/12/19-24/02/20)  
KI NFS 15-069 (12/12/19)

**DAJ 120017**  
SPN Mat. 94



**NFS 170170**  
SPN Mat. 86  
AFC 21  
ICP  
RI 135  
Age/Calv. 2/1  
Avg. WI/Calf 97/1

**DAJ 090036**  
SPN Mat. 113

**DAJ 090083**  
AFC 29 SPN Mat. 87  
ICP 368 Age/Calv. 11/9  
Avg. WI/Calf 99/7


**LAR 070037**  
SPN Mat. 98

**NFS 060435**  
AFC 23 SPN Mat. 129  
ICP 401 Age/Calv. 7/6  
Avg. WI/Calf 106/4

**GCD 050148**  
SPN Mat. 110  
**DAJ 060063**  
SPN Mat. 92  
**CEF 990287**  
SPN Mat. 99  
**DAJ 050033**  
SPN Mat. 99  
**BG 040088**  
SPN Mat. 112  
**LAR 040240**  
SPN Mat. 102  
**DFP 000173**  
SPN Mat. 124  
**T 010057**  
SPN Mat. 105

**Lot 89B** 3-5 Mnde dragtig van MS  
NAT NFS 17-341 (02/12/19-24/02/20)  
KI CEF 13-548 (12/12/19)

**JRP 120081**  
SPN Mat. 59



**NFS 170209**  
SPN Mat. 87  
AFC 25  
ICP  
RI 124  
Age/Calv. 2/1  
Avg. WI/Calf 103/1

**LAR 070055**  
SPN Mat. 81

**JRP 010030**  
AFC 32 SPN Mat. 89  
ICP 382 Age/Calv. 17/15  
Avg. WI/Calf 101/14


**BEI 070107**  
SPN Mat. 122

**MRW 040134**  
AFC 25 SPN Mat. 90  
ICP 501 Age/Calv. 6/4  
Avg. WI/Calf 98/4

**BG 040088**  
SPN Mat. 112  
**LAR 040160**  
SPN Mat. 80  
**BP 960054**  
SPN Mat. 88  
**HES 930020**  
SPN Mat. 75  
**BEI 020134**  
SPN Mat. 88  
**BEI 040046**  
SPN Mat. 102  
**T 940060**  
SPN Mat. 115  
**MRW 970235**  
SPN Mat. 59

**Lot 90B** 3-5 Mnde dragtig van MS  
NAT NFS 17-341 (02/12/19-24/02/20)  
KI CEF 13-548 (12/12/19)

**JRP 120081**  
SPN Mat. 59



**NFS 170217**  
SPN Mat. 90  
AFC 25  
ICP  
RI 125  
Age/Calv. 2/1  
Avg. WI/Calf 102/1

**LAR 070055**  
SPN Mat. 81

**JRP 010030**  
AFC 32 SPN Mat. 89  
ICP 382 Age/Calv. 17/15  
Avg. WI/Calf 101/14


**PHR 070200**  
SPN Mat. 132

**HJS 020391**  
AFC 29 SPN Mat. 110  
ICP 416 Age/Calv. 10/8  
Avg. WI/Calf 101/7

**BG 040088**  
SPN Mat. 112  
**LAR 040160**  
SPN Mat. 80  
**BP 960054**  
SPN Mat. 88  
**HES 930020**  
SPN Mat. 75  
**PHR 030036**  
SPN Mat. 117  
**PHR 030097**  
SPN Mat. 112  
**MMJ 980012**  
SPN Mat. 95  
**HJS 990065**  
SPN Mat. 108

**Lot 91A** 3-5 Mnde dragtig van ABB 16-508 (02/12/19-24/02/20)

**NFS 130127**  
SPN Mat. 103  
Silver



**NFS 170264**  
SPN Mat. 108  
AFC 25  
ICP  
RI 126  
Age/Calv. 2/1  
Avg. WI/Calf 97/1

**NFS 080032**  
SPN Mat. 119  
Gold

**NFS 100059**  
AFC 29 SPN Mat. 89  
ICP 395 Age/Calv. 10/8  
Avg. WI/Calf 97/7


**NFS 060287**  
SPN Mat. 108  
Silver

**NFS 000336**  
AFC 35 SPN Mat. 105  
ICP 368 Age/Calv. 12/10  
Avg. WI/Calf 102/9

**NFS 050325**  
SPN Mat. 122  
**NFS 060055**  
SPN Mat. 139  
**ZAK 030082**  
SPN Mat. 65  
**NFS 060207**  
SPN Mat. 117  
**VV 940061**  
SPN Mat. 111  
**NFS 010280**  
SPN Mat. 102  
**NFS N 0174**  
SPN Mat. 91  
**NFS 960187**  
SPN Mat. 113

**Lot 91B** 3-5 Mnde dragtig van MS  
NAT ABB 16-508 (02/12/19-24/02/20)  
KI NFS 15-069 (12/12/19)

**AG 140219**  
SPN Mat. 83



**NFS 170369**  
SPN Mat. 91  
AFC 24  
ICP  
RI 128  
Age/Calv. 2/1  
Avg. WI/Calf 98/1

**CEF 100327**  
SPN Mat. 86

**AG 100265**  
AFC 26 SPN Mat. 92  
ICP 491 Age/Calv. 4/2  
Avg. WI/Calf 98/2


**PHR 070200**  
SPN Mat. 132

**HJS 040111**  
AFC 29 SPN Mat. 122  
ICP 389 Age/Calv. 12/10  
Avg. WI/Calf 109/10

**CEF 070468**  
SPN Mat. 93  
**CEF 070171**  
SPN Mat. 96  
**AG 070040**  
SPN Mat. 97  
**AG 080333**  
SPN Mat. 102  
**PHR 030036**  
SPN Mat. 117  
**PHR 030097**  
SPN Mat. 112  
**CEG 990056**  
SPN Mat. 100  
**HJS 980201**  
SPN Mat. 99

**Lot 92A** 3-5 Mnde dragtig van MS  
NAT ABB 16-508 (02/12/19-24/02/20)  
KI MCU 17-037 (12/12/19)

**NFS 140151**  
SPN Mat. 103



**NFS 170102**  
SPN Mat. 114  
AFC 28  
ICP  
RI 114  
Age/Calv. 2/1  
Avg. WI/Calf 99/1

**NFS 110101**  
SPN Mat. 100  
Silver

**JMP 100211**  
AFC 31 SPN Mat. 105  
ICP 404 Age/Calv. 4/2  
Avg. WI/Calf 112/2

**NFS 060243**  
SPN Mat. 136  
Gold

**NFS 070268**  
AFC 29 SPN Mat. 89  
ICP 398 Age/Calv. 10/8  
Avg. WI/Calf 102/8

**NFS 080032**  
SPN Mat. 119  
**NFS 000257**  
SPN Mat. 108  
**JMP 060140**  
SPN Mat. 94  
**JMP 050140**  
SPN Mat. 86  
**AG 020338**  
SPN Mat. 111  
**T 030046**  
SPN Mat. 151  
**RGR 030116**  
SPN Mat. 83  
**NFS 020080**  
SPN Mat. 94

## VROULIKE DIERE

Lot	Verkoper	ID	OUERS	Toets	Teelwaarde indekse												Dae Oop	Gebruiker Eie Opmerkings				
					VADER GV OV	Genomies Getoets	Geb Dir		Speen Dir		Geb Mat	Speen Mat	Volwas- se Gewig	GROEI		DOEL			REP	MATES		V:
							DNS	Akk	Akk	Akk	Akk	Akk	Akk	Akk	Akk	Akk			Akk	Akk	Akk	Akk
		Gen	MOEDER GV OV	Geb. dat.	Gew kg	Gew kg	Ind	kg	kg	kg	365d Ind	540d Ind	Ind	Ind	(mm)	(mm)	(mm)		Kalwers			

### Dragtige Koeie

92 B	SERNICK BONSMARA STOET	NFS 170283	LAR 130207	NS365	<b>79</b>	<b>110</b>	<b>111</b>	<b>93</b>	<b>114</b>	<b>109</b>	<b>101</b>	<b>97</b>	<b>98</b>	<b>88</b>	<b>100</b>	-	245	3-5 Mnde dragtig van MS ;NAT ABB 16-508 (02/12/19-24/02/20) ;KI MCU 17-037 (12/12/19)
			<input checked="" type="checkbox"/>		3.21	17.7	-0.70	2.0	25.0	28.1	102	-40	8.2	-8	14		2.7	
			NFS 110012	DNS	78	73	58	54	40	58	54	53	57	58	56	5.44		
		SP		25.09.17	40												33.6	1
93 A	SERNICK BONSMARA STOET	NFS 170215	JRP 120081	NS365	<b>76</b>	<b>122</b>	<b>122</b>	<b>88</b>	<b>110</b>	<b>122</b>	<b>112</b>	<b>113</b>	<b>104</b>	<b>111</b>	<b>110</b>	-	236	3-5 Mnde dragtig van MS ;NAT NFS 17-341 (02/12/19-24/02/20) ;KI CEF 13-548 (12/12/19)
			<input checked="" type="checkbox"/>		3.55	23.4	-1.21	0.5	21.0	37.0	152	-74	12.6	11	29		2.7	
			ZVJ 130043	DNS	80	75	63	59	48	60	56	56	58	59	58	5.65		
		SP		07.09.17	35												34.1	1
93 B	SERNICK BONSMARA STOET	NFS 170261	GJN 140292	NS365	<b>105</b>	<b>92</b>	<b>88</b>	<b>95</b>	<b>89</b>	<b>102</b>	<b>96</b>	<b>95</b>	<b>86</b>	<b>80</b>	<b>89</b>	-	237	3-5 Mnde dragtig van MS ;NAT AJF 16-574 (02/12/19-24/02/20) ;KI NFS 16-296 (12/12/19)
			<input checked="" type="checkbox"/>		0.49	9.5	0.36	2.4	-2.0	23.3	77	-36	-1.2	-15	-2		2.7	
			NFS 150319	DNS	77	70	56	49	43	48	45	41	49	49	48	6.86		
		SP		20.09.17	29												47.4	1
94 A	SERNICK BONSMARA STOET	NFS 170056	JRP 120081	NS365	<b>88</b>	<b>126</b>	<b>109</b>	<b>83</b>	<b>109</b>	<b>129</b>	<b>107</b>	<b>109</b>	<b>112</b>	<b>108</b>	<b>113</b>	-	261	3-5 Mnde dragtig van MS ;NAT NFS 17-341 (02/12/19-24/02/20) ;KI CEF 13-548 (12/12/19)
			<input checked="" type="checkbox"/>		2.25	24.9	-0.58	-1.0	20.0	41.9	127	-65	19.0	8	32		3.1	
			NFS 120177	DNS	78	72	62	58	44	58	54	56	56	57	56	5.62		
		SP		23.04.17	34												36.4	1
94 B	SERNICK BONSMARA STOET	NFS 170317	NFS 140154	NS365	<b>90</b>	<b>120</b>	<b>100</b>	<b>96</b>	<b>132</b>	<b>128</b>	<b>119</b>	<b>122</b>	<b>107</b>	<b>109</b>	<b>114</b>	-	225	3-5 Mnde dragtig van MS ;NAT NFS 17-207 (02/12/19-24/02/20) ;KI NFS 15-069 (12/12/19)
			<input checked="" type="checkbox"/>		2.05	22.3	-0.17	2.7	44.0	41.6	183	-93	15.1	9	33		2.6	
			NFS 140189	DNS	78	73	58	56	46	59	52	54	54	55	54	7.35		
		SP		29.09.17	36												43.2	1
95 A	SERNICK BONSMARA STOET	NFS 170205	LMR 130094	NS365	<b>97</b>	<b>103</b>	<b>93</b>	<b>92</b>	<b>99</b>	<b>105</b>	<b>89</b>	<b>90</b>	<b>89</b>	<b>93</b>	<b>99</b>	-	221	3-5 Mnde dragtig van MS ;NAT NFS 17-207 (02/12/19-24/02/20) ;KI NFS 16-296 (12/12/19)
			<input checked="" type="checkbox"/>		1.29	14.8	0.14	1.6	9.0	25.3	46	-25	1.1	-4	12		2.7	
			NFS 150302	DNS	77	70	55	49	36	54	48	47	51	52	51	7.16		
		SP		01.09.17	29												46.7	1

1.02	13.3	-0.19	3.8	10	21.7	96	-46	9.6	2	14
------	------	-------	-----	----	------	----	-----	-----	---	----

# KONINKRIJK DER NEDERLANDEN SAAMGESTEL DEUR DIE SUID-AFRIKAANSE STAMBOEK- EN VEEVERBETERINGSVERENIGING

Veilingsdatum: 05/06/2020

Data soos op 22/05/2020 14:33:43

**Lot 92B** 3-5 Mnde dragtig van MS  
NAT ABB 16-508 (02/12/19-24/02/20)  
KI MCU 17-037 (12/12/19)

**AG 040077**  
SPN Mat. 77  
**HJB 020092**  
SPN Mat. 94  
**LAR 070304**  
SPN Mat. 109  
**LAR 000092**  
SPN Mat. 108  
**RGR 030116**  
SPN Mat. 83  
**T 030095**  
SPN Mat. 117  
**VV 030159**  
SPN Mat. 94  
**NFS 040104**  
SPN Mat. 109


**AG 070457**  
SPN Mat. 83

**LAR 100153**  
OEK 36 SPN Mat. 107  
TKP 401 Oud/Kalw. 10/7  
Gem. Si/Kalf 106/6

**NFS 080168**  
SPN Mat. 88  
Brons

**NFS 070181**  
OEK 34 SPN Mat. 101  
TKP 370 Oud/Kalw. 7/5  
Gem. Si/Kalf 100/5

**LAR 130207**  
SPN Mat. 87



**NFS 110012**  
OEK 36 SPN Mat. 101  
TKP 401 Oud/Kalw. 8/6  
RI 102 Gem. Si/Kalf 99/6

**NFS 170283**  
SPN Mat. 93  
OEK 24  
TKP  
RI 128  
Oud/Kalw. 2/1  
Gem. Si/Kalf 94/1

**Lot 93A** 3-5 Mnde dragtig van MS  
NAT NFS 17-341 (02/12/19-24/02/20)  
KI CEF 13-548 (12/12/19)

**AG 040088**  
SPN Mat. 112  
**LAR 040160**  
SPN Mat. 80  
**BP 960054**  
SPN Mat. 88  
**HES 930020**  
SPN Mat. 75  
**RCO 980037**  
SPN Mat. 68  
**MMJ 060053**  
SPN Mat. 113  
**HJS 970048**  
SPN Mat. 115  
**HJS 940148**  
SPN Mat. 82


**LAR 070055**  
SPN Mat. 81

Elite-Goud  
**JRP 010030**  
OEK 32 SPN Mat. 89  
TKP 382 Oud/Kalw. 17/15  
Gem. Si/Kalf 101/14

**MMJ 080153**  
SPN Mat. 88

**HJS 010266**  
OEK 36 SPN Mat. 96  
TKP 385 Oud/Kalw. 15/12  
Gem. Si/Kalf 101/12

**JRP 120081**  
SPN Mat. 59



**ZVJ 130043**  
OEK 28 SPN Mat. 113  
TKP 375 Oud/Kalw. 6/5  
RI 114 Gem. Si/Kalf 109/5

**NFS 170215**  
SPN Mat. 88  
OEK 25  
TKP  
RI 125  
Oud/Kalw. 2/1  
Gem. Si/Kalf 104/1

**Lot 93B** 3-5 Mnde dragtig van MS  
NAT AJF 16-574 (02/12/19-24/02/20)  
KI NFS 16-296 (12/12/19)

**VV 040046**  
SPN Mat. 113  
**GJN 060003**  
SPN Mat. 99  
**RCO 980082**  
SPN Mat. 63  
**GJN 010030**  
SPN Mat. 111  
**CEF 080426**  
SPN Mat. 62  
**CEF 080204**  
SPN Mat. 74  
**NFS 060368**  
SPN Mat. 121  
**NFS 040126**  
SPN Mat. 90


**GJN 080021**  
SPN Mat. 99

**GJN 040239**  
OEK 23 SPN Mat. 85  
TKP 364 Oud/Kalw. 12/11  
Gem. Si/Kalf 95/11

**CEF 120418**  
SPN Mat. 54

**NFS 090048**  
OEK 29 SPN Mat. 112  
TKP 388 Oud/Kalw. 11/9  
Gem. Si/Kalf 101/8

**GJN 140292**  
SPN Mat. 100



**NFS 150319**  
OEK 23 SPN Mat. 89  
TKP 396 Oud/Kalw. 4/3  
RI 121 Gem. Si/Kalf 101/3

**NFS 170261**  
SPN Mat. 95  
OEK 24  
TKP  
RI 126  
Oud/Kalw. 2/1  
Gem. Si/Kalf 110/1

**Lot 94A** 3-5 Mnde dragtig van MS  
NAT NFS 17-341 (02/12/19-24/02/20)  
KI CEF 13-548 (12/12/19)

**AG 040088**  
SPN Mat. 112  
**LAR 040160**  
SPN Mat. 80  
**BP 960054**  
SPN Mat. 88  
**HES 930020**  
SPN Mat. 75  
**NFS 060184**  
SPN Mat. 105  
**NFS 070084**  
SPN Mat. 79  
**NFS 060243**  
SPN Mat. 136  
**NFS 070026**  
SPN Mat. 93


**LAR 070055**  
SPN Mat. 81

Elite-Goud  
**JRP 010030**  
OEK 32 SPN Mat. 89  
TKP 382 Oud/Kalw. 17/15  
Gem. Si/Kalf 101/14

**NFS 090028**  
SPN Mat. 91  
Brons

**NFS 090067**  
OEK 26 SPN Mat. 111  
TKP 360 Oud/Kalw. 7/6  
Gem. Si/Kalf 103/4

**JRP 120081**  
SPN Mat. 59



**NFS 120177**  
OEK 23 SPN Mat. 106  
TKP 463 Oud/Kalw. 7/5  
RI 108 Gem. Si/Kalf 105/4

**NFS 170056**  
SPN Mat. 83  
OEK 28  
TKP  
RI 114  
Oud/Kalw. 2/1  
Gem. Si/Kalf 110/1

**Lot 94B** 3-5 Mnde dragtig van MS  
NAT NFS 17-207 (02/12/19-24/02/20)  
KI NFS 15-069 (12/12/19)

**NFS 080032**  
SPN Mat. 119  
**NFS 000257**  
SPN Mat. 108  
**NFS 070163**  
SPN Mat. 84  
**NFS 060301**  
SPN Mat. 99  
**NFS 050325**  
SPN Mat. 122  
**NFS 060055**  
SPN Mat. 139  
**NFS 060368**  
SPN Mat. 121  
**NFS 040126**  
SPN Mat. 90


**NFS 110101**  
SPN Mat. 100  
Silver

**NFS 100204**  
OEK 29 SPN Mat. 85  
TKP 369 Oud/Kalw. 10/8  
Gem. Si/Kalf 95/7

**NFS 080032**  
SPN Mat. 119  
Goud

**NFS 090048**  
OEK 29 SPN Mat. 112  
TKP 388 Oud/Kalw. 11/9  
Gem. Si/Kalf 101/8

**NFS 140154**  
SPN Mat. 85



**NFS 140189**  
OEK 24 SPN Mat. 110  
TKP 366 Oud/Kalw. 5/4  
RI 121 Gem. Si/Kalf 103/3

**NFS 170317**  
SPN Mat. 96  
OEK 24  
TKP  
RI 126  
Oud/Kalw. 2/1  
Gem. Si/Kalf 107/1

**Lot 95A** 3-5 Mnde dragtig van MS  
NAT NFS 17-207 (02/12/19-24/02/20)  
KI NFS 16-296 (12/12/19)

**AG 060481**  
SPN Mat. 91  
**AG 970106**  
SPN Mat. 80  
**AG 990166**  
SPN Mat. 79  
**LMR 020195**  
SPN Mat. 107  
**LAR 070055**  
SPN Mat. 81  
**JRP 030022**  
SPN Mat. 75  
**NFS 030031**  
SPN Mat. 115  
**JHO 020051**  
SPN Mat. 113


**AG 100008**  
SPN Mat. 93

**LMR 070093**  
OEK 35 SPN Mat. 94  
TKP 366 Oud/Kalw. 12/10  
Gem. Si/Kalf 95/10

**JRP 120062**  
SPN Mat. 59

**NFS 060309**  
OEK 35 SPN Mat. 125  
TKP 364 Oud/Kalw. 13/11  
Gem. Si/Kalf 101/9

**LMR 130094**  
SPN Mat. 89



**NFS 150302**  
OEK 22 SPN Mat. 93  
TKP 374 Oud/Kalw. 4/3  
RI 124 Gem. Si/Kalf 96/3

**NFS 170205**  
SPN Mat. 92  
OEK 25  
TKP  
RI 123  
Oud/Kalw. 2/1  
Gem. Si/Kalf 101/1



## FEMALE ANIMALS

Lot	Seller	ID	PARENTS	Test	Breeding Value Indexes											Days Open	Breeder Own Remarks	
					DIRECT CALF TRAITS		DAUGHTER TRAITS			GROWTH		EFF.	REP	MEASURE-MENTS				R:
		POLLED	SIRE GV PV	Genomic Tested	Progeny Birth Weight	Progeny Wean Weight	Ease of Calving	Milk prod.	Mature Weight	Post Wean Weight	Daily Gain	Feed Conv		Height & Length				
		Gen	DAM GV PV	DNA	Acc	Acc	Acc	Acc	Acc	Acc	Acc	Acc	Acc	Acc	Acc	Acc		
				Birth Date	Wgt kg	Wgt kg	Ind	kg	kg	kg	365d Ind	540d Ind	Ind	Ind	(mm)	(mm)	(mm)	Calves

### Pregnant Cows


95 B	SERNICK BONSMARA STOET	NFS 170296	JRP 120081	PW365	<b>77</b>	<b>122</b>	<b>126</b>	<b>76</b>	<b>117</b>	<b>125</b>	<b>103</b>	<b>110</b>	<b>99</b>	<b>97</b>	<b>102</b>	-	253	3-5 Mnde dragtig van MS ;NAT NFS 17-341 (02/12/19-24/02/20) ;KI CEF 13-548 (12/12/19)	
			<input checked="" type="checkbox"/>			3.44	23.2	-1.36	-2.9	28.0	39.5	108	-67	8.8	-1	17			2.7
			NFS 100059	DNA	79	74	64	61	51	63	58	59	60	60	59	5.78			
		SP		27.09.17	36											33	1		
96 A	SERNICK BONSMARA STOET	NFS 170108	NFS 110101	PW365	<b>106</b>	<b>103</b>	<b>127</b>	<b>92</b>	<b>92</b>	<b>94</b>	<b>92</b>	<b>100</b>	<b>102</b>	<b>90</b>	<b>96</b>	-	250	3-5 Mnde dragtig van MS ;NAT NFS 17-341 (02/12/19-24/02/20) ;KI CEF 14-311 (12/12/19)	
			<input checked="" type="checkbox"/>			0.43	14.6	-1.44	1.6	1.0	17.5	61	-46	11.2	-7	9			3
			ZVJ 130104	DNA	79	74	63	59	55	60	54	56	57	57	57	5.03			
		SP		06.05.17	30											44.5	1		
96 B	SERNICK BONSMARA STOET	NFS 170413	JRP 120081	PW365	<b>99</b>	<b>118</b>	<b>137</b>	<b>69</b>	<b>118</b>	<b>116</b>	<b>113</b>	<b>113</b>	<b>105</b>	<b>100</b>	<b>109</b>	-	261	3-5 Mnde dragtig van MS ;NAT NFS 17-341 (02/12/19-24/02/20) ;KI CEF 13-548 (12/12/19)	
			<input checked="" type="checkbox"/>			1.16	21.4	-1.86	-4.6	29.0	32.8	157	-73	13.8	2	27			2.6
			ZVJ 110132	DNA	81	75	65	60	46	63	55	54	57	57	56	4.69			
		SP		26.10.17	30											37.9	1		
97 A	SERNICK BONSMARA STOET	NFS 170076	NFS 140154	PW365	<b>95</b>	<b>111</b>	<b>117</b>	<b>98</b>	<b>109</b>	<b>105</b>	<b>100</b>	<b>105</b>	<b>100</b>	<b>97</b>	<b>103</b>	-	257	3-5 Mnde dragtig van MS ;NAT AJF 16-574 (02/12/19-24/02/20) ;KI MCU 17-037 (12/12/19)	
			<input checked="" type="checkbox"/>			1.56	18.2	-0.98	3.3	20.0	25.5	95	-57	9.5	-1	18			3.1
			SSK 090021	DNA	79	74	58	56	36	54	50	51	53	54	53	5.1			
		B		28.04.17	35											39.6	1		
97 B	SERNICK BONSMARA STOET	NFS 170150	NFS 140056	PW365	<b>111</b>	<b>107</b>	<b>126</b>	<b>71</b>	<b>98</b>	<b>108</b>	<b>106</b>	<b>107</b>	<b>113</b>	<b>97</b>	<b>102</b>	-	256	3-5 Mnde dragtig van MS ;NAT NFS 17-341 (02/12/19-24/02/20) ;KI CEF 13-548 (12/12/19)	
			<input checked="" type="checkbox"/>			-0.16	16.4	-1.38	-4.0	8.0	27.0	126	-61	19.9	-1	17			3
			NFS 140109	DNA	77	72	55	50	41	54	49	50	53	54	52	6.12			
		SP		19.05.17	30											50.5	1		
98 A	SERNICK BONSMARA STOET	NFS 170197	PER 130086	PW365	<b>97</b>	<b>97</b>	<b>106</b>	<b>104</b>	<b>94</b>	<b>99</b>	<b>107</b>	<b>98</b>	<b>101</b>	<b>93</b>	<b>99</b>	-	249	3-5 Mnde dragtig van AJF 16-574 (02/12/19-24/02/20)	
			<input checked="" type="checkbox"/>			1.34	12.1	-0.47	5.0	4.0	21.2	127	-43	10.5	-4	12			2.7
			NFS 150051	DNA	76	70	53	45	37	52	45	48	49	50	48	7.1			
		SP		28.08.17	33											45	1		

1.02	13.3	-0.19	3.8	10	21.7	96	-46	9.6	2	14
------	------	-------	-----	----	------	----	-----	-----	---	----



**Lot 95B** 3-5 Mnde dragtig van MS  
 NAT NFS 17-341 (02/12/19-24/02/20)  
 KI CEF 13-548 (12/12/19)

**JRP 120081**  
 SPN Mat. 59



**NFS 170296**  
 SPN Mat. 76  
 AFC 24  
 ICP  
 RI 129  
 Age/Calv. 2/1  
 Avg. WI/Calf 99/1

**NFS 100059**  
 AFC 29 SPN Mat. 89  
 ICP 395 Age/Calv. 10/8  
 RI 110 Avg. WI/Calf 97/7

**LAR 070055**  
 SPN Mat. 81

Elite-Gold  
**JRP 010030**  
 AFC 32 SPN Mat. 89  
 ICP 382 Age/Calv. 17/15  
 Avg. WI/Calf 101/14


**ZAK 030082**  
 SPN Mat. 65

**NFS 060207**  
 AFC 27 SPN Mat. 117  
 ICP 493 Age/Calv. 6/4  
 Avg. WI/Calf 111/4

**BG 040088**  
 SPN Mat. 112  
**LAR 040160**  
 SPN Mat. 80  
**BP 960054**  
 SPN Mat. 88  
**HES 930020**  
 SPN Mat. 75  
**LAR 000017**  
 SPN Mat. 69  
**ZAK 990036**  
 SPN Mat. 104  
**RCO 980053**  
 SPN Mat. 83  
**T 020036**  
 SPN Mat. 107

**Lot 96A** 3-5 Mnde dragtig van MS  
 NAT NFS 17-341 (02/12/19-24/02/20)  
 KI CEF 14-311 (12/12/19)

**NFS 110101**  
 SPN Mat. 100  
 Silver



**NFS 170108**  
 SPN Mat. 92  
 AFC 28  
 ICP  
 RI 114  
 Age/Calv. 2/1  
 Avg. WI/Calf 104/1

**ZVJ 130104**  
 AFC 31 SPN Mat. 84  
 ICP 356 Age/Calv. 5/4  
 RI 113 Avg. WI/Calf 99/3

**NFS 080032**  
 V SPN Mat. 119  
 Gold

**NFS 000257**  
 AFC 31 SPN Mat. 108  
 ICP 378 Age/Calv. 14/12  
 Avg. WI/Calf 98/12


**ZVJ 110072**  
 SPN Mat. 73  
 Bronze  
 Elite-Silver

**ZVJ 110059**  
 AFC 26 SPN Mat. 124  
 ICP 362 Age/Calv. 8/7  
 Avg. WI/Calf 108/7

**NFS 050325**  
 SPN Mat. 122  
**NFS 060055**  
 SPN Mat. 139  
**NFS 960350**  
 SPN Mat. 117  
**NFS 960197**  
 SPN Mat. 109  
**AG 060481**  
 SPN Mat. 91  
**SSK 070001**  
 SPN Mat. 87  
**ZVJ 090005**  
 SPN Mat. 135  
**SSK 080015**  
 SPN Mat. 114

**Lot 96B** 3-5 Mnde dragtig van MS  
 NAT NFS 17-341 (02/12/19-24/02/20)  
 KI CEF 13-548 (12/12/19)

**JRP 120081**  
 SPN Mat. 59



**NFS 170413**  
 SPN Mat. 69  
 AFC 22  
 ICP  
 RI 132  
 Age/Calv. 2/1  
 Avg. WI/Calf 100/2

**ZVJ 110132**  
 AFC 36 SPN Mat. 95  
 ICP 362 Age/Calv. 7/5  
 RI 107 Avg. WI/Calf 95/5

**LAR 070055**  
 SPN Mat. 81

Elite-Gold  
**JRP 010030**  
 AFC 32 SPN Mat. 89  
 ICP 382 Age/Calv. 17/15  
 Avg. WI/Calf 101/14


**PHR 070200**  
 SPN Mat. 132

**AG 030402**  
 AFC 35 SPN Mat. 87  
 ICP 459 Age/Calv. 8/5  
 Avg. WI/Calf 101/5

**BG 040088**  
 SPN Mat. 112  
**LAR 040160**  
 SPN Mat. 80  
**BP 960054**  
 SPN Mat. 88  
**HES 930020**  
 SPN Mat. 75  
**PHR 030036**  
 SPN Mat. 117  
**PHR 030097**  
 SPN Mat. 112  
**AG 990153**  
 SPN Mat. 69  
**AG 990209**  
 SPN Mat. 90

**Lot 97A** 3-5 Mnde dragtig van MS  
 NAT AJF 16-574 (02/12/19-24/02/20)  
 KI MCU 17-037 (12/12/19)

**NFS 140154**  
 SPN Mat. 85



**NFS 170076**  
 SPN Mat. 98  
 AFC 28  
 ICP  
 RI 114  
 Age/Calv. 2/1  
 Avg. WI/Calf 98/1

**SSK 090021**  
 AFC 33 SPN Mat. 113  
 ICP 362 Age/Calv. 9/7  
 RI 112 Avg. WI/Calf 108/5

**NFS 110101**  
 SPN Mat. 100  
 Silver


**NFS 100204**  
 AFC 29 SPN Mat. 85  
 ICP 369 Age/Calv. 10/8  
 Avg. WI/Calf 95/7

**SSK 970031**  
 AFC 36 SPN Mat. 71  
 ICP 418 Age/Calv. 16/12  
 Avg. WI/Calf 93/12

**NFS 080032**  
 SPN Mat. 119  
**NFS 000257**  
 SPN Mat. 108  
**NFS 070163**  
 SPN Mat. 84  
**NFS 060301**  
 SPN Mat.  
 SPN Mat.  
**SSK 940004**  
 SPN Mat. 52  
**SSK 900042**  
 SPN Mat. 88

**Lot 97B** 3-5 Mnde dragtig van MS  
 NAT NFS 17-341 (02/12/19-24/02/20)  
 KI CEF 13-548 (12/12/19)

**NFS 140056**  
 SPN Mat. 77  
 Bronze



**NFS 170150**  
 SPN Mat. 71  
 AFC 28  
 ICP  
 RI 116  
 Age/Calv. 2/1  
 Avg. WI/Calf 97/1

**NFS 140109**  
 AFC 24 SPN Mat. 76  
 ICP 371 Age/Calv. 4/3  
 RI 122 Avg. WI/Calf 99/2

**NFS 110101**  
 SPN Mat. 100  
 Silver

**NFS 100230**  
 AFC 29 SPN Mat. 65  
 ICP 425 Age/Calv. 9/7  
 Avg. WI/Calf 92/6


**FCT 120035**  
 SPN Mat. 100

**ZVJ 090106**  
 AFC 30 SPN Mat. 66  
 ICP 359 Age/Calv. 5/4  
 Avg. WI/Calf 93/4

**NFS 080032**  
 SPN Mat. 119  
**NFS 000257**  
 SPN Mat. 108  
**NFS 070151**  
 SPN Mat. 79  
**NFS 080228**  
 SPN Mat. 87  
**FCT 090080**  
 SPN Mat. 104  
**FCT 090202**  
 SPN Mat. 85  
**FCT 010228**  
 SPN Mat. 37  
**HJS 050331**  
 SPN Mat. 100

**Lot 98A** 3-5 Mnde dragtig van AJF 16-574 (02/12/19-24/02/20)

**PER 130086**  
 SPN Mat. 100  
 Gold



**NFS 170197**  
 SPN Mat. 104  
 AFC 25  
 ICP  
 RI 125  
 Age/Calv. 2/1  
 Avg. WI/Calf 95/1

**NFS 150051**  
 AFC 28 SPN Mat. 108  
 ICP Age/Calv. 2/1  
 RI 114 Avg. WI/Calf 104/1

**PHR 100348**  
 SPN Mat. 127

**PER 100046**  
 AFC 37 SPN Mat. 75  
 ICP 381 Age/Calv. 9/7  
 Avg. WI/Calf 99/6

**JMP 100228**  
 SPN Mat. 86  
 Bronze

**ZVJ 120105**  
 AFC 30 SPN Mat. 122  
 ICP 364 Age/Calv. 8/6  
 Avg. WI/Calf 104/5

**PHR 060150**  
 SPN Mat. 118  
**PHR 060301**  
 SPN Mat. 117  
**PER 060117**  
 SPN Mat. 64  
**PER 040080**  
 SPN Mat. 78  
**JMP 060278**  
 SPN Mat. 86  
**JMP 060079**  
 SPN Mat. 95  
**ZVJ 090005**  
 SPN Mat. 135  
**ZVJ 100020**  
 SPN Mat. 101


## VROULIKE DIERE

Lot	Verkoper	ID	OUERS	Toets	Teelwaarde indekse											Dae Oop	Gebruiker Eie Opmerkings	
					DIREKTE KALF EIENSKAPPE		DOGTER EIENSKAPPE			GROEI		DOEL	REP	MATES				V:
		POENA	VADER GV OV	Genomies Getoets	Geb Dir	Speen Dir	Geb Mat	Speen Mat	Volwas- se Gewig	Naspeen- gewig	GDT	VOV	SO	Hgt	Lgt	LHV	Oud	
		Gen	MOEDER GV OV	DNS	Akk	Akk	Akk	Akk	Akk	Akk	Akk	Akk	Akk	Akk	Akk	GGV		Kalwers
				Geb. dat.	Gew kg	Gew kg	Ind	kg	kg	kg	365d Ind	540d Ind	Ind	Ind	(mm)	(mm)		
<b>Dragtige Koeie</b>																		
98 B	SERNICK BONSMARA STOET	NFS 170244	GJN 140292 <input checked="" type="checkbox"/>	NS365	<b>100</b>	<b>93</b>	<b>120</b>	<b>93</b>	<b>97</b>	<b>104</b>	<b>94</b>	<b>95</b>	<b>90</b>	<b>80</b>	<b>87</b>	-	207	3-5 Mnde dragtig van AJF 16-574 (02/12/19-24/02/20)
		SP	NFS 150298	DNS	1.00	10.3	-1.11	1.9	7.0	24.3	68	-37	1.6	-15	-4	6.24	2.7	
				16.09.17	29											40.8	1	
99 A	SERNICK BONSMARA STOET	NFS 170198	PER 130086 <input checked="" type="checkbox"/>	NS365	<b>93</b>	<b>111</b>	<b>110</b>	<b>102</b>	<b>100</b>	<b>112</b>	<b>115</b>	<b>108</b>	<b>111</b>	<b>100</b>	<b>107</b>	-	235	3-5 Mnde dragtig van MS ;NAT NFS 17-207 (02/12/19-24/02/20) ;KI NFS 15-069 (12/12/19)
		SP	NFS 150130	DNS	1.76	18.1	-0.64	4.3	10.0	30.3	166	-64	18.2	1	24	6.73	2.7	
				29.08.17	33											52.3	1	
99 B	SERNICK BONSMARA STOET	NFS 170293	LAR 130207 <input checked="" type="checkbox"/>	NS365	<b>117</b>	<b>87</b>	<b>112</b>	<b>102</b>	<b>110</b>	<b>94</b>	<b>106</b>	<b>104</b>	<b>98</b>	<b>88</b>	<b>98</b>	-	249	3-5 Mnde dragtig van MS ;NAT ABB 16-508 (02/12/19-24/02/20) ;KI NFS 16-296 (12/12/19)
		SP	NFS 130146	DNS	-0.78	7.5	-0.73	4.3	21.0	17.5	126	-55	7.7	-8	11	4.22	2.7	
				27.09.17	28											31.4	1	
100 A	SERNICK BONSMARA STOET	NFS 170019	ABB 140515 <input checked="" type="checkbox"/>	NS365	<b>87</b>	<b>113</b>	<b>112</b>	<b>94</b>	<b>103</b>	<b>115</b>	<b>110</b>	<b>106</b>	<b>115</b>	<b>107</b>	<b>112</b>	-	227	3-5 Mnde dragtig van MS ;NAT NFS 17-207 (02/12/19-24/02/20) ;KI CEF 14-311 (12/12/19)
		SP	NFS 080181	DNS	2.39	19.1	-0.74	2.1	14.0	31.9	141	-58	21.3	7	30	5.59	3.1	
				10.04.17	34											36.5	1	
100 B	SERNICK BONSMARA STOET	NFS 170328	NFS 150069 <input checked="" type="checkbox"/>	NS365	<b>105</b>	<b>99</b>	<b>104</b>	<b>95</b>	<b>91</b>	<b>104</b>	<b>103</b>	<b>108</b>	<b>93</b>	<b>97</b>	<b>103</b>	-	231	3-5 Mnde dragtig van MS ;NAT NFS 17-207 (02/12/19-24/02/20) ;KI NFS 16-296 (12/12/19)
		SP	NFS 110205	DNS	0.51	13.0	-0.38	2.5	0.0	24.5	110	-63	4.2	-1	18	6.2	2.6	
				02.10.17	36											36.4	1	

**Lot 98B** 3-5 Mnde dragtig van AJF 16-574 (02/12/19-24/02/20)

**NFS 170244**  
SPN Mat. 93  
OEK 25  
TKP  
RI 123  
Oud/Kalw. 2/1  
Gem. Sl/Kalf 97/1

**GJN 140292**  
SPN Mat. 100



**NFS 150298**

**GJN 080021**  
SPN Mat. 99

**GJN 040239**  
OEK 23 SPN Mat. 85  
TKP 364 Oud/Kalw. 12/11  
Gem. Sl/Kalf 95/11

**FCT 120053**  
SPN Mat. 85


**NFS 100059**  
OEK 29 SPN Mat. 89  
TKP 395 Oud/Kalw. 10/8  
Gem. Sl/Kalf 97/7

**VV 040046**  
SPN Mat. 113  
**GJN 060003**  
SPN Mat. 99  
**RCO 980082**  
SPN Mat. 63  
**GJN 010030**  
SPN Mat. 111  
**FCT 080201**  
SPN Mat. 110  
**FCT 080094**  
SPN Mat. 83  
**ZAK 030082**  
SPN Mat. 65  
**NFS 060207**  
SPN Mat. 117

**Lot 99A** 3-5 Mnde dragtig van MS  
NAT NFS 17-207 (02/12/19-24/02/20)  
KI NFS 15-069 (12/12/19)

**NFS 170198**  
SPN Mat. 102  
OEK 25  
TKP  
RI 124  
Oud/Kalw. 2/1  
Gem. Sl/Kalf 92/1

**PER 130086**  
SPN Mat. 100  
Goud



**NFS 150130**

**PHR 100348**  
SPN Mat. 127

**PER 100046**  
OEK 37 SPN Mat. 75  
TKP 381 Oud/Kalw. 9/7  
Gem. Sl/Kalf 99/6

**FDS 100119**  
SPN Mat. 85


**NFS 110062**  
OEK 30 SPN Mat. 109  
TKP 557 Oud/Kalw. 4/2  
Gem. Sl/Kalf 104/2

**PHR 060150**  
SPN Mat. 118  
**PHR 060301**  
SPN Mat. 117  
**PER 060117**  
SPN Mat. 64  
**PER 040080**  
SPN Mat. 78  
**BEI 060124**  
SPN Mat. 78  
**FDS 070024**  
SPN Mat. 94  
**NFS 080168**  
SPN Mat. 88  
**NFS 070286**  
SPN Mat. 124

**Lot 99B** 3-5 Mnde dragtig van MS  
NAT ABB 16-508 (02/12/19-24/02/20)  
KI NFS 16-296 (12/12/19)

**NFS 170293**  
SPN Mat. 102  
OEK 24  
TKP  
RI 128  
Oud/Kalw. 2/1  
Gem. Sl/Kalf 100/1

**LAR 130207**  
SPN Mat. 87



**NFS 130146**

**AG 070457**  
SPN Mat. 83

**LAR 100153**  
OEK 36 SPN Mat. 107  
TKP 401 Oud/Kalw. 10/7  
Gem. Sl/Kalf 106/6

**NFS 080032**  
SPN Mat. 119  
Goud


**NFS 060173**  
OEK 28 SPN Mat. 123  
TKP 364 Oud/Kalw. 12/11  
Gem. Sl/Kalf 103/10

**AG 040077**  
SPN Mat. 77  
**HJB 020092**  
SPN Mat. 94  
**LAR 070304**  
SPN Mat. 109  
**LAR 000092**  
SPN Mat. 108  
**NFS 050325**  
SPN Mat. 122  
**NFS 060055**  
SPN Mat. 139  
**ZAK 030013**  
SPN Mat. 94  
**NFS 940381**  
SPN Mat. 114

**Lot 100A** 3-5 Mnde dragtig van MS  
NAT NFS 17-207 (02/12/19-24/02/20)  
KI CEF 14-311 (12/12/19)

**NFS 170019**  
SPN Mat. 94  
OEK 30  
TKP  
RI 109  
Oud/Kalw. 2/1  
Gem. Sl/Kalf 99/1

**ABB 140515**  
SPN Mat. 89



**NFS 080181**

**ABB 100076**  
SPN Mat. 78

**NFS 080053**  
OEK 35 SPN Mat. 96  
TKP 427 Oud/Kalw. 6/4  
Gem. Sl/Kalf 101/3

**RGR 030116**  
SPN Mat. 83


**NFS 050296**  
OEK 22 SPN Mat. 132  
TKP 397 Oud/Kalw. 9/8  
Gem. Sl/Kalf 105/7

**WAT 050078**  
SPN Mat. 86  
**HJB 020112**  
SPN Mat. 103  
**NFS 050252**  
SPN Mat. 82  
**T 030035**  
SPN Mat. 95  
**RGR 970055**  
SPN Mat. 121  
**RGR 960015**  
SPN Mat. 75  
**DFP 000173**  
SPN Mat. 124  
**NFS 990329**  
SPN Mat. 148

**Lot 100B** 3-5 Mnde dragtig van MS  
NAT NFS 17-207 (02/12/19-24/02/20)  
KI NFS 16-296 (12/12/19)

**NFS 170328**  
SPN Mat. 95  
OEK 24  
TKP  
RI 127  
Oud/Kalw. 2/1  
Gem. Sl/Kalf 117/1

**NFS 150069**  
SPN Mat. 98



**NFS 110205**

**FCT 120053**  
SPN Mat. 85

**SSK 060043**  
OEK 34 SPN Mat. 107  
TKP 388 Oud/Kalw. 13/11  
Gem. Sl/Kalf 101/10

**NFS 090090**  
SPN Mat. 96  
Brons

**NFS 090052**  
OEK 30 SPN Mat. 107  
TKP Oud/Kalw. 3/1  
Gem. Sl/Kalf 92/1

**FCT 080201**  
SPN Mat. 110  
**FCT 080094**  
SPN Mat. 83  
**BHE 010114**  
SPN Mat. 80  
**SSK 010016**  
SPN Mat. 116  
**NFS 060039**  
SPN Mat. 114  
**NFS 070290**  
SPN Mat. 103  
**NFS 060368**  
SPN Mat. 121  
**NFS 000181**  
SPN Mat. 109